

INSTALLATION INSTRUCTIONS

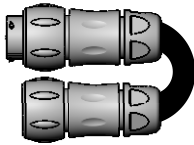
Model:
Fixture Family: **Outdoor Pendant**
Document Description: Installation Instructions for
Catenary Accessories

VISA LIGHTING
AN OLDENBURG GROUP COMPANY
1717 West Civic Drive Milwaukee, WI 53209
414-354-6600
Design Modification Rights Reserved
© Visa Lighting

CATENARY ACCESSORIES INSTRUCTIONS

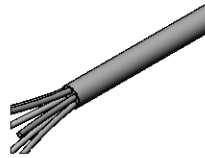
Power Management

Quick Connect Jumper Cord
AY-QC7P6-X



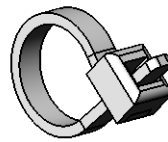
Sheet 2

Power Cord
AY-P6-50



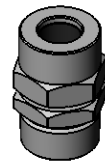
Sheet 4

Power Cord Ties
AY-WT-100



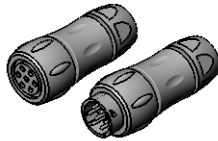
Sheet 4

Liquid Tight Cord Grip
AY-CG



Sheet 4

Quick Connectors
AY-QC7SET



Sheet 3

Quick Connect Voltage Separation Box
AY-QCVSB



Sheet 5

Quick Connect 3-way Splitter
AY-QC3S



Sheet 6

Suspension Accessories

3/32" Stainless Steel Cable
AY-CBL3/32-50



Sheet 7

**Stainless Steel
Compression Sleeve**
AY-CS3/32



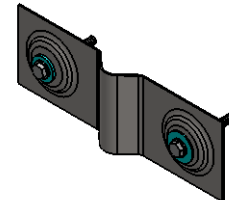
Sheet 7

**Stainless Steel
U-Bolt Wire Clamp**
AY-UBX/X



Sheet 7

Mounting Bracket
AY-BRKT



Sheet 8

- When using electrical equipment, basic safety precautions should always be followed, including the following:
- Read all instructions carefully before installing and save for future use.
 - Make sure all connections are in accordance with the National Electrical Code and local regulations.
 - To avoid possible electric shock, be sure the power supply is turned off before servicing or installing the fixture.
 - Service should be performed by qualified personnel.
 - These instructions may not cover all details or variations. If additional information is needed, please contact Visa Lighting.

Drawing: 762284XX

Rev: A

Sheet: 1 of 8

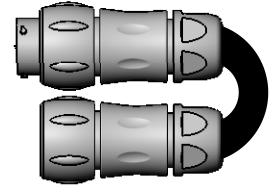
Eng: AJM

Date Drawn: 8/31/17

INSTALLATION INSTRUCTIONS

Model: **Outdoor Pendant**
 Fixture Family: **Outdoor Pendant**
 Document Description: Installation Instructions for
 Catenary Accessories

Quick Connect Jumper Cord AY-QC7P6-X



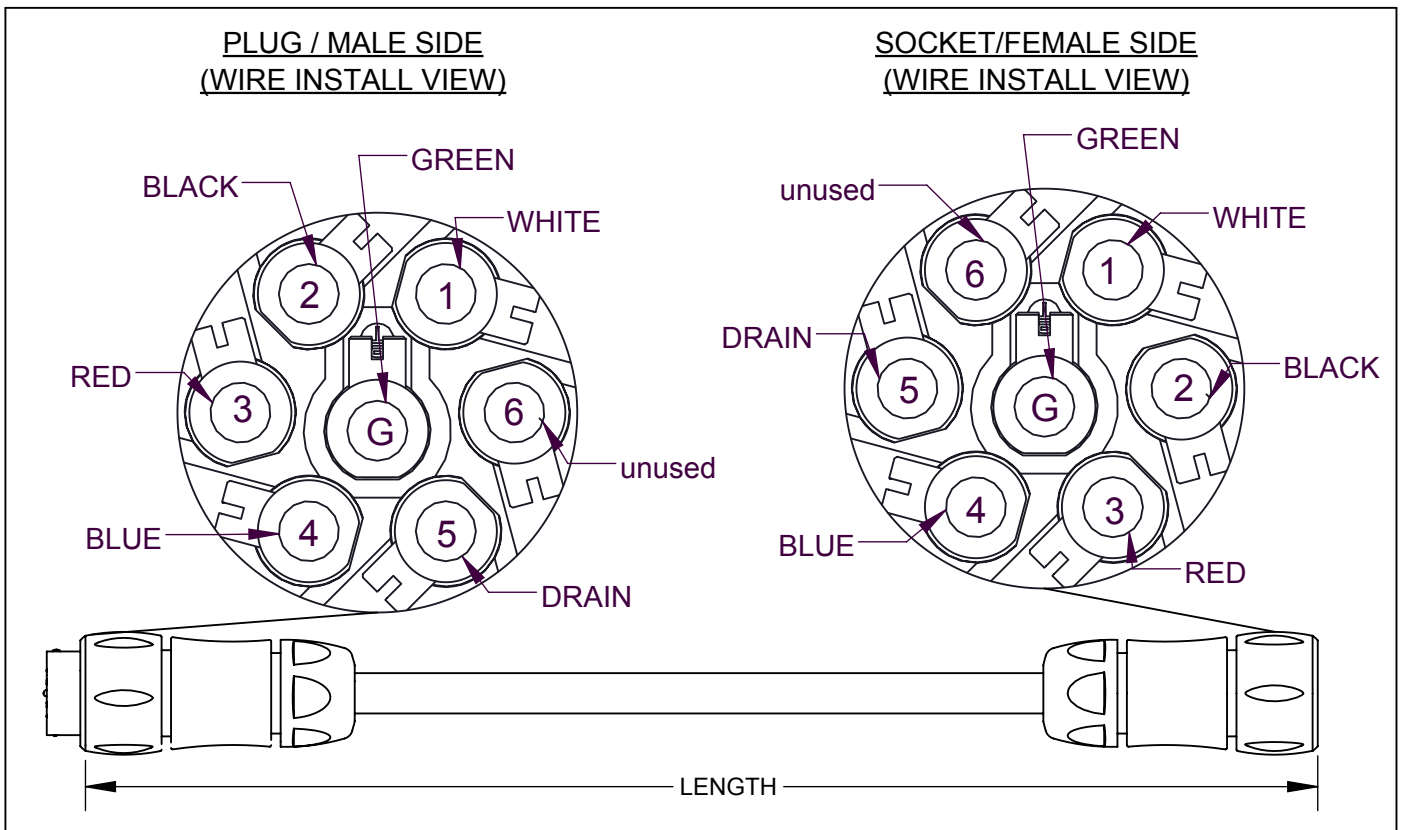
FEATURES

- Rapid mating with 1/3 turn with an audible & tactile "click"
- IP 68/69 - dust tight, water resistant
- 10 Amps
- 500V per UL1977 type 2
- UV resistant per ISO 4892
- ROHS and Reach
- -40°C -105°C
- UL 1977 recognized
- CSA C22.2 compliant
- Min 250 mating cycles
- UL 94V0 flammability rating

STANDARD LENGTHS: 1 FT, 5 FT, 10 FT, 25 FT
 Custom lengths available upon request

COLOR CODE:

- WHITE: COMMON
- BLACK: HOT
- GREEN: GROUND
- BLUE: DIM- (0-10V) or DAT- (DMX)
- RED: DIM+ (0-10V) or DAT+ (DMX)
- DRAIN (BARE): Blank (0-10V) or SHIELD (DMX)



Drawing: 762284XX

Rev: A

Sheet: 2 of 8

Eng: AJM

Date Drawn: 8/31/17

- !** When using electrical equipment, basic safety precautions should always be followed, including the following:
- Read all instructions carefully before installing and save for future use.
 - Make sure all connections are in accordance with the National Electrical Code and local regulations.
 - To avoid possible electric shock, be sure the power supply is turned off before servicing or installing the fixture.
 - Service should be performed by qualified personnel.
 - These instructions may not cover all details or variations. If additional information is needed, please contact Visa Lighting.

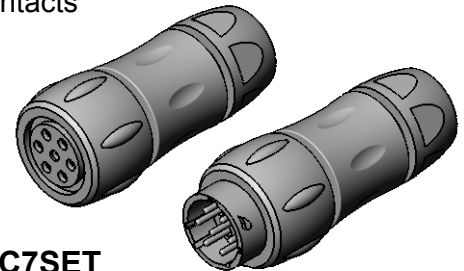
INSTALLATION INSTRUCTIONS

Model:
 Fixture Family: **Outdoor Pendant**
 Document Description: Installation Instructions for
 Catenary Accessories

Quick Connectors AY-QC7SET

FEATURES

- Only a small flat tip screwdriver is needed to fit the wires to the contacts
- Rapid mating with 1/3 turn with an audible & tactile "click"
- IP 68/69 - dust tight, water resistant
- 10 Amps
- 500V per UL1977 type 2
- UV resistant per ISO 4892
- ROHS and Reach
- -40°C -105°C
- UL 1977 recongnized
- CSA C22.2 compliant
- Min 250 mating cylces
- 0.5mm² to 2.5mm² wire acceptance
- UL 94V0 and NFF16102 level 2 flammability rating

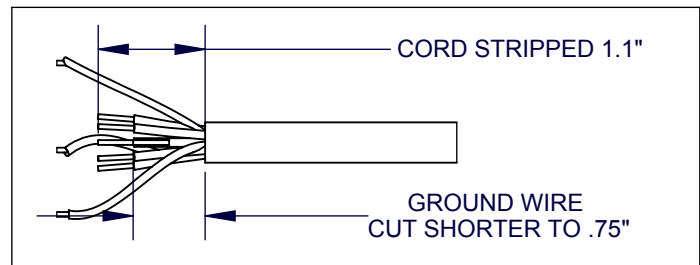


AY-QC7SET
-QTY 1 Plug included
-QTY 1 Socket included

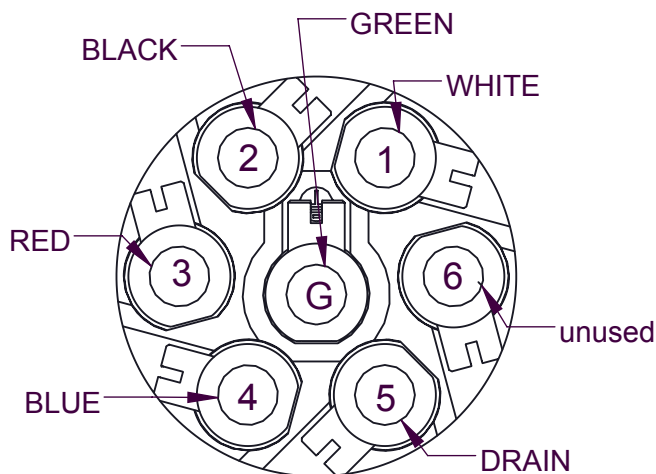
COLOR CODE:

WHITE: COMMON
 BLACK: HOT
 GREEN: GROUND
 BLUE: DIM- (0-10V) or DAT- (DMX)
 RED: DIM+ (0-10V) or DAT+ (DMX)
 DRAIN (BARE): Blank (0-10V) or SHIELD (DMX)

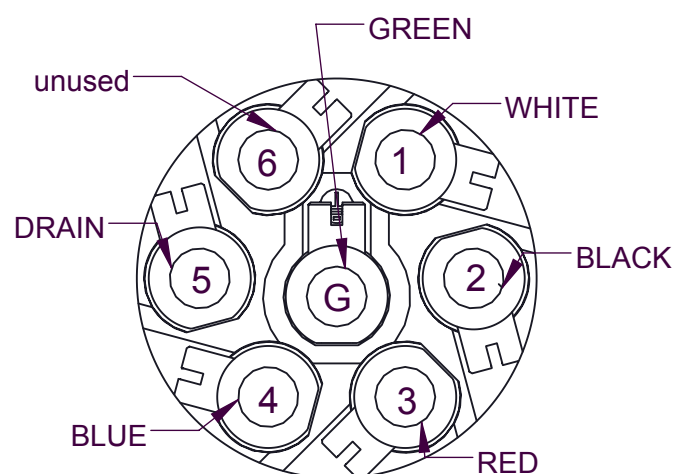
WIRE STRIPPING INSTRUCTIONS:



PLUG / MALE SIDE (WIRE INSTALL VIEW)



SOCKET/FEMALE SIDE (WIRE INSTALL VIEW)



Drawing: 762284XX

Rev: A

Sheet: 3 of 8

Eng: AJM

Date Drawn: 8/31/17

! When using electrical equipment, basic safety precautions should always be followed, including the following:

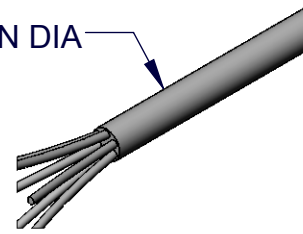
- Read all instructions carefully before installing and save for future use.
- Make sure all connections are in accordance with the National Electrical Code and local regulations.
- To avoid possible electric shock, be sure the power supply is turned off before servicing or installing the fixture.
- Service should be performed by qualified personnel.
- These instructions may not cover all details or variations. If additional information is needed, please contact Visa Lighting.

INSTALLATION INSTRUCTIONS

Model:
Fixture Family: **Outdoor Pendant**
Document Description: Installation Instructions for
Catenary Accessories

Power Cord AY-P6-50

0.42 IN DIA



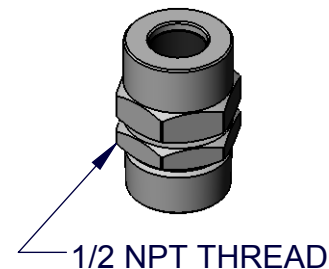
FEATURES

- 50ft of power cord included with 'AY-P6-50', custom lengths available upon request
- Suitable to carry DMX control and line power at the same time
- 16 AWG 3 Conductors Tinned Copper Wire PVC Insulated. Colors: Black, White, Green
- 18 AWG 1 Pair Shielded Tinned Copper Wire PVC Insulated. Colors: Blue, Red
- Drain Wire: 18AWG Tinned Copper
- Pressure Extruded PVC Jacket, Nominal Jacket Thickness: 0.045"; DIA: 0.42". Color: Black
- Suitable for use in Class I Div II hazardous locations
- UL listed SJTOOW per UL standard 62 for flexible cords & cables
- UL approved for Sunlight, Oil, and Water Submersed Applications
- Operating Temperature: -40 °C to 105 °C
- All materials used in the manufacturing of this cable are RoHS II Compliant
- Type of Print: Indent Wheel
- Weight: 110 Lbs/ Mft

Liquid Tight Cord Grip AY-CG

FEATURES

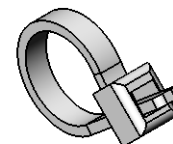
- HEYCO 'M5014' CORD GRIP
- Aluminum construction
- UL listed
- CSA certified
- IP 67 rated



Power Cord Ties AY-WT-100

FEATURES

- QTY 100 included with 'AY-WT-100'
- THOMAS & BETTS 'TY525MX' Cable Tie
- Black Nylon
- UV-resistant
- Stainless Steel Locking
- 7" long



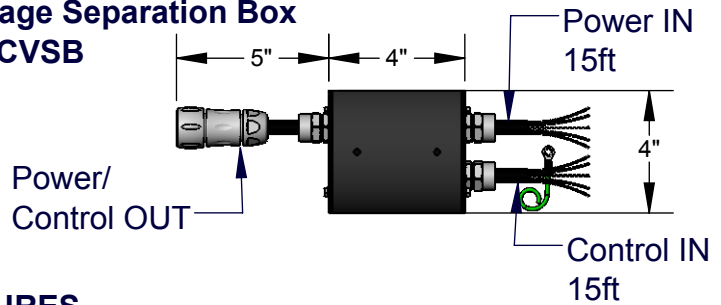
When using electrical equipment, basic safety precautions should always be followed, including the following:

- Read all instructions carefully before installing and save for future use.
- Make sure all connections are in accordance with the National Electrical Code and local regulations.
- To avoid possible electric shock, be sure the power supply is turned off before servicing or installing the fixture
- Service should be performed by qualified personnel.
- These instructions may not cover all details or variations. If additional information is needed, please contact Visa Lighting.

INSTALLATION INSTRUCTIONS

Model: **Outdoor Pendant**
Fixture Family: **Outdoor Pendant**
Document Description: Installation Instructions for
Catenary Accessories

Quick Connect Voltage Separation Box AY-QCVSB



NOTE:

The 'Quick Connect Voltage Separation Box' accessory is designed for those installations where the DMX control signals are classified as Class 2 per NEC code. Proper installation of this accessory will assure separation by barrier means of Class 2 connections from branch power connections.

Check with local electrical code authorities (AHJ) to determine if the 'Low Voltage Separation Box' option is appropriate for this installation.

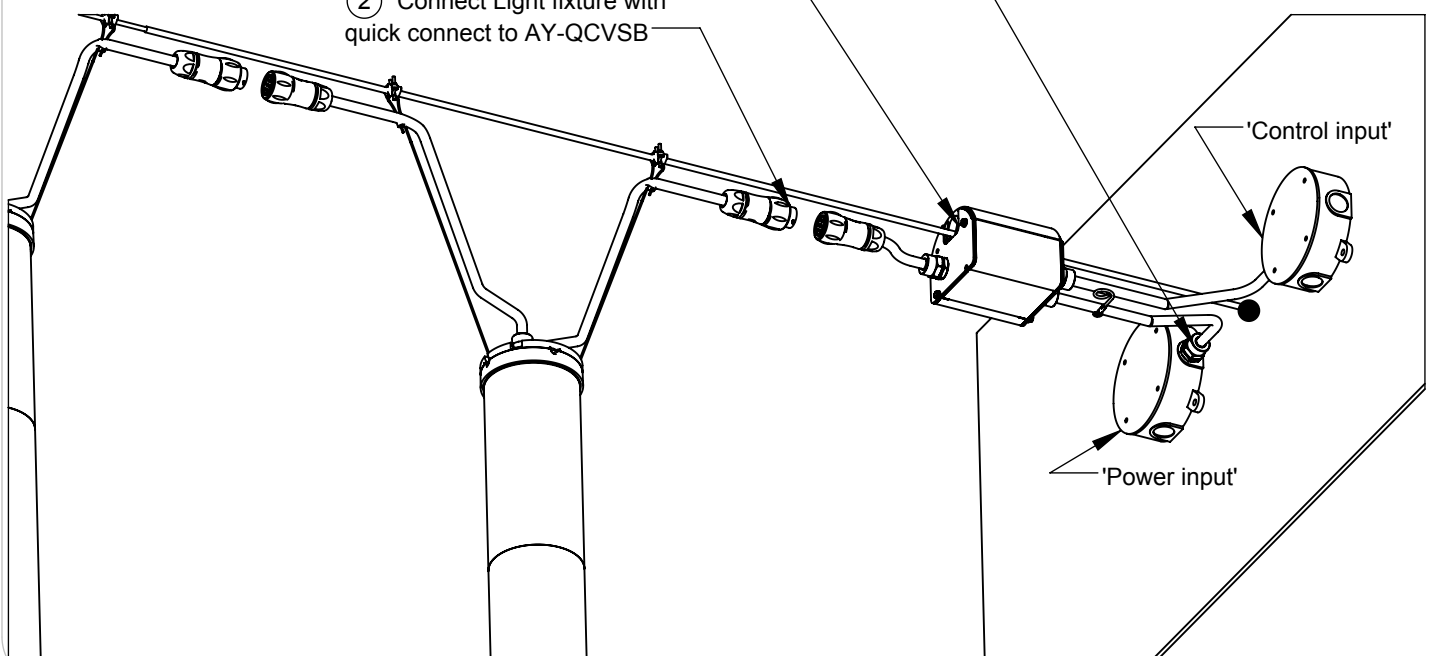
FEATURES

- IP65 Rated
- Only relevant for RGB applications
- Socket quick connect fitting for Power/Control output
- 15ft of power cord pre-attached for Power Input and Control Input

① Attach AY-QCVSB to the Main Catenary cable (by others) with the provided hardware and secure it in place by tightening the set screws on the top. Use jam nut provided to lock in place. Thread locker is recommended.

② Connect Light fixture with quick connect to AY-QCVSB

③ Connect 'Power IN' to the power input
④ Connect 'Control IN' to the control input



When using electrical equipment, basic safety precautions should always be followed, including the following:

- Read all instructions carefully before installing and save for future use.
- Make sure all connections are in accordance with the National Electrical Code and local regulations.
- To avoid possible electric shock, be sure the power supply is turned off before servicing or installing the fixture.
- Service should be performed by qualified personnel.
- These instructions may not cover all details or variations. If additional information is needed, please contact Visa Lighting.

INSTALLATION INSTRUCTIONS

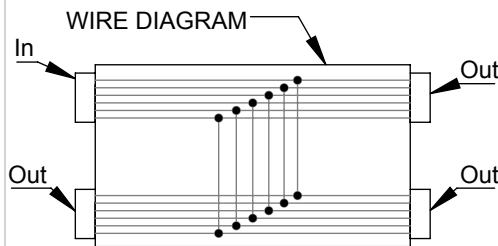
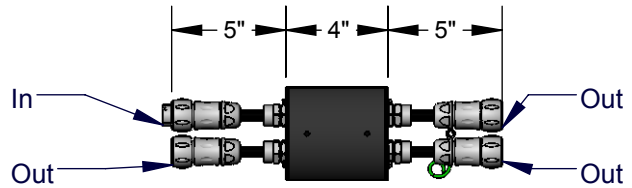
Model: **Outdoor Pendant**
Fixture Family: **Outdoor Pendant**
Document Description: Installation Instructions for
Catenary Accessories

Quick Connect 3-way Splitter AY-QC3S

NOTE:

-The 'Quick Connect 3-way Splitter' accessory is designed for those installations where one main cord is powering and controlling many fixtures or when being split into different directions.

-Not recommended for RGB applications due to signal reduction.



FEATURES

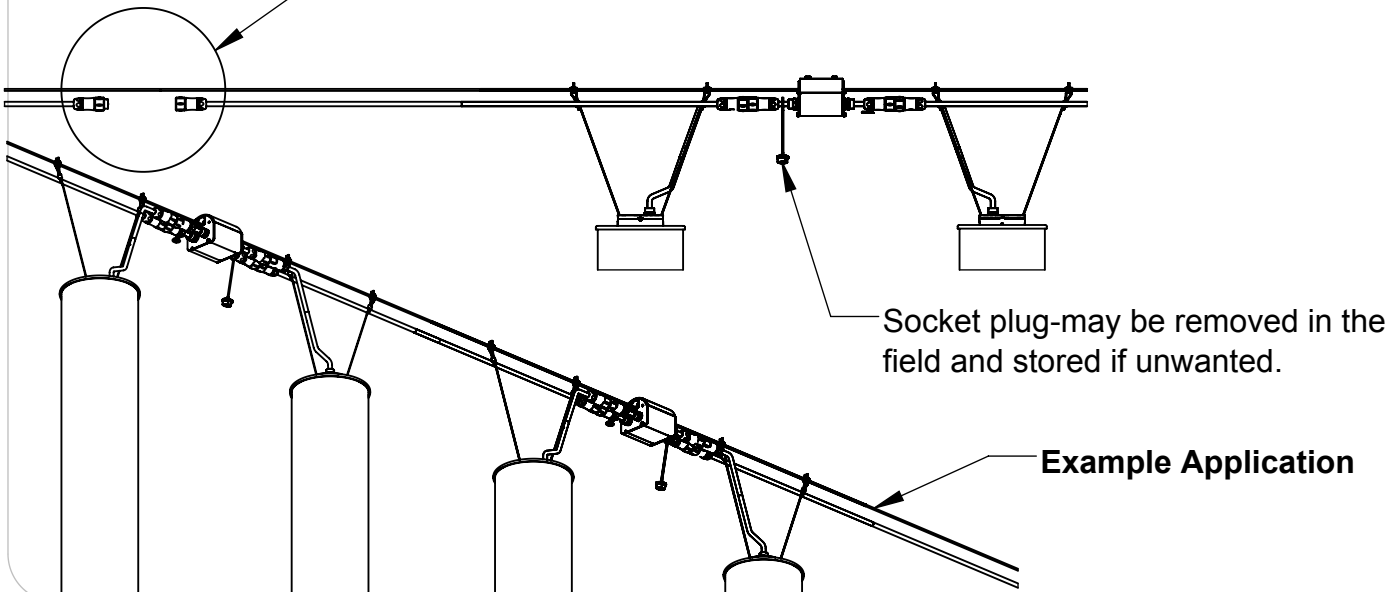
- 3-way wire splitter
- IP65 Rated
- Quick Connect fittings pre-installed

If using 2 of the 3 outlets:

One Socket plug is included with each 'AY-QC3S'. Install it into the unused connector to prevent short circuits, corrosion and ingress.

If using 1 of the 3 outlets:

The splitter is not required and should be removed. If the power cord is too short, an 'AY-QC7P6-1' can be added to make the connection.



Drawing: 762284XX

Rev: A

Sheet: 6 of 8

Eng: AJM

Date Drawn: 8/31/17

- When using electrical equipment, basic safety precautions should always be followed, including the following:
- Read all instructions carefully before installing and save for future use.
 - Make sure all connections are in accordance with the National Electrical Code and local regulations.
 - To avoid possible electric shock, be sure the power supply is turned off before servicing or installing the fixture.
 - Service should be performed by qualified personnel.
 - These instructions may not cover all details or variations. If additional information is needed, please contact Visa Lighting.

INSTALLATION INSTRUCTIONS

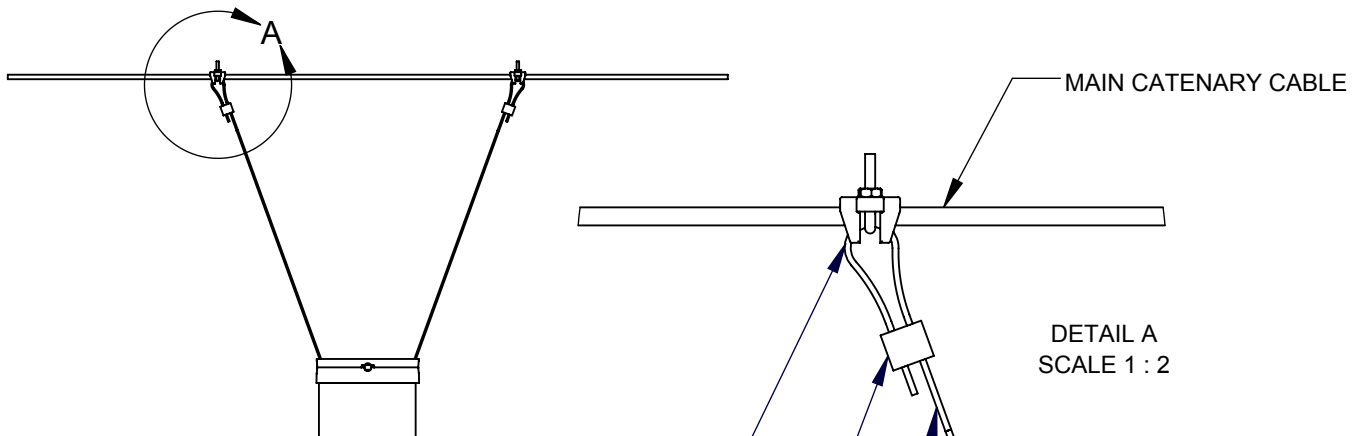
Model:
 Fixture Family: **Outdoor Pendant**
 Document Description: Installation Instructions for
 Catenary Accessories

Suspended Catenary

NOTE:

Accessories are available for suspending the light fixture from a main catenary cable. This is required for installations where the main catenary cable is larger than 1/4".

WARNING- This mounting is only suitable for the weight of a single fixture.



Stainless Steel U-Bolt Wire Clamp
AY-UBX/X

18-8 Stainless Steel Cast Wire Rope Clamp
 Not for Lifting

ORDER U-BOLT SIZED TO MAIN CATENARY CABLE DIA:

- AY-UB3/16, for 3/16" Rope Diameter
- AY-UB1/4, for 1/4" Rope Diameter
- AY-UB3/8, for 3/8" Rope Diameter
- AY-UB1/2, for 1/2" Rope Diameter
- AY-UB5/8, for 5/8" Rope Diameter



Stainless Steel Compression Sleeve
AY-CS3/32

AY-CS3/32, Wire Rope Compression Sleeve - for Lifting
 For Stainless Steel and Steel Rope, 18-8 Stainless Steel, for 3/32" Rope Diameter
 100% of the rope's capacity
 Use NICROPRESS tool '51-C-887' to install
 Follow Nicropress tool instructions for proper crimping
 Proof testing is recommended whenever the possibility of personal injury or property damage exists



3/32" Stainless Steel Cable
AY-CBL3/32-50

304 Stainless Steel Wire Rope - Not for Lifting
 Flexible, 3/32" Diameter
 Capacity 180 lbs (5:1 safety factor)
 7x7 construction

Drawing: 762284XX

Rev: A

Sheet: 7 of 8

Eng: AJM

Date Drawn: 8/31/17

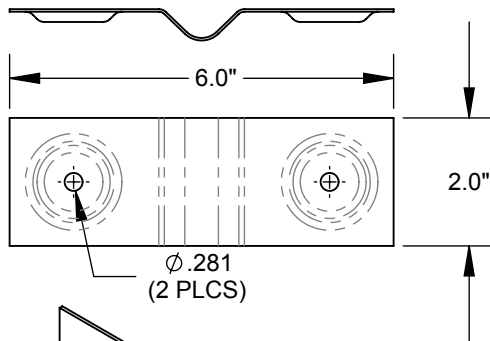
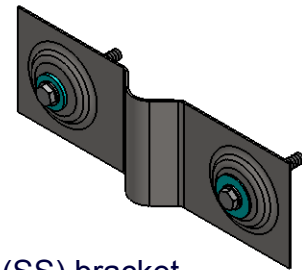
- !** When using electrical equipment, basic safety precautions should always be followed, including the following:
- Read all instructions carefully before installing and save for future use.
 - Make sure all connections are in accordance with the National Electrical Code and local regulations.
 - To avoid possible electric shock, be sure the power supply is turned off before servicing or installing the fixture.
 - Service should be performed by qualified personnel.
 - These instructions may not cover all details or variations. If additional information is needed, please contact Visa Lighting.

INSTALLATION INSTRUCTIONS

Model:
Fixture Family: **Outdoor Pendant**
Document Description: Installation Instructions for
Catenary Accessories

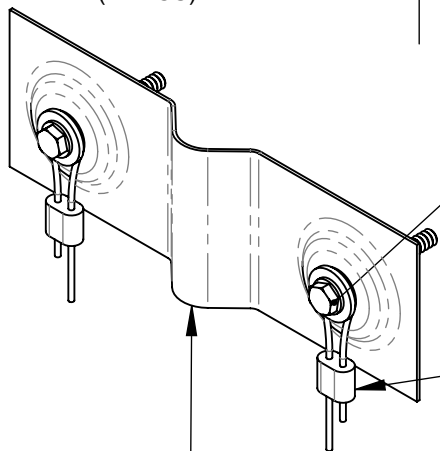
VISA LIGHTING
AN OLDENBURG GROUP COMPANY
1717 West Civic Drive Milwaukee, WI 53209
414-354-6600
Design Modification Rights Reserved
© Visa Lighting

Mounting Bracket AY-BRKT



FEATURES

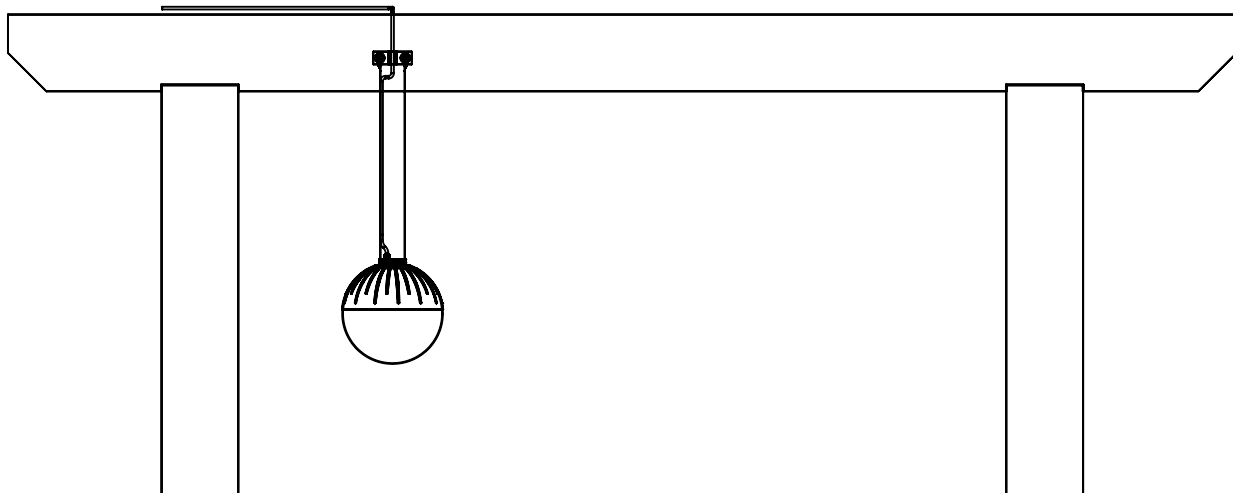
- Stainless Steel (SS) bracket
- Sand blasted finish
- QTY 2 #10 SS 1-1/2" long mounting screws included (for attaching to wood, screws for other applications are not provided)
- QTY 2 SS Washers included



② Loosely install the provided screws into wood (if other material different screws may be needed, not provided). Hang the loop over the screw in between the washer and the bracket. Tighten the screws until the bracket and cables are secure.

① Install compression sleeve (AY-CS3/32 or similar) to make a loop. Use proper crimping tool. Compression sleeve should not contact the bracket or washer when at rest.

③ Manage the power cord by inserting it into the groove.



Drawing: 762284XX

Rev: A

Sheet: 8 of 8

Eng: AJM

Date Drawn: 8/31/17

When using electrical equipment, basic safety precautions should always be followed, including the following:

- Read all instructions carefully before installing and save for future use.
- Make sure all connections are in accordance with the National Electrical Code and local regulations.
- To avoid possible electric shock, be sure the power supply is turned off before servicing or installing the fixture.
- Service should be performed by qualified personnel.
- These instructions may not cover all details or variations. If additional information is needed, please contact Visa Lighting.