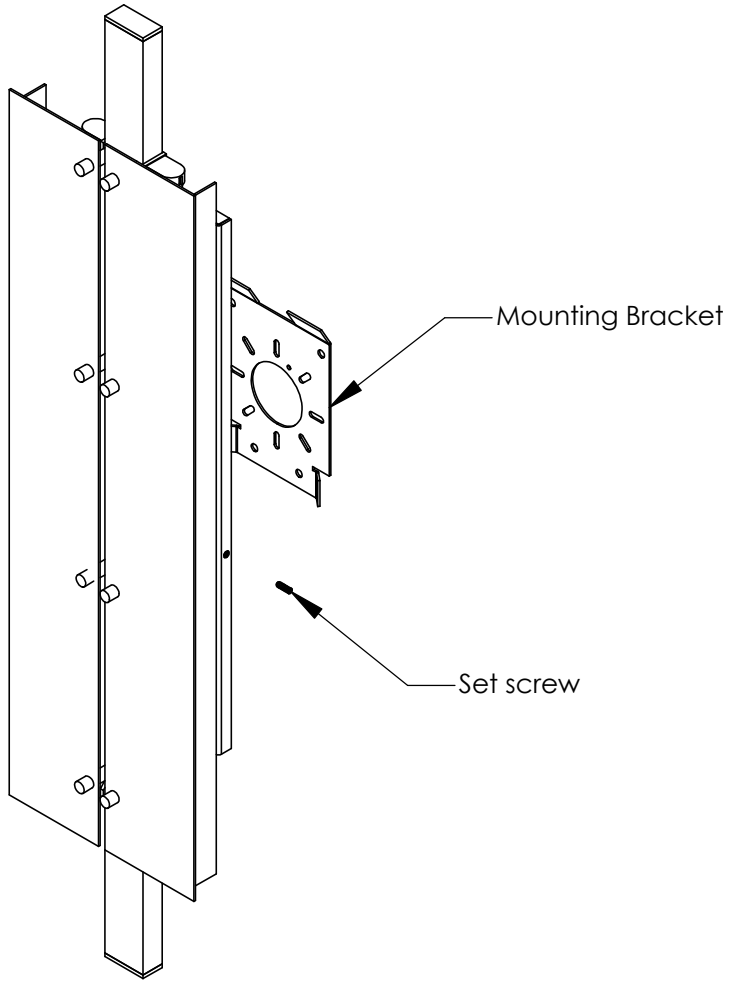


Mounting Bracket Detail  
SCALE 1 : 2



Instructions:

1. Fasten mounting bracket to junction box with junction box screws (by others).
2. Make all necessary wire connections.
3. Attach fixture to mounting bracket and tighten set screws on side of fixture.
4. Install lamps from sides.

When using electrical equipment, basic safety precautions should always be followed, including the following:  
 1) Read all instructions carefully before installing and save for future use. Make sure all connections are in accordance with the National Electrical Code and local regulations.  
 2) To avoid possible electric shock, be sure the power supply is turned off before servicing or installing the fixture. Service should be performed by qualified personnel.  
 3) These instructions may not cover all details or variations. If additional information is needed, please contact Visa Lighting.

**Drawing : 760394XX**  
**Rev : A Sheet 1 of 1**


**VISA LIGHTING**  
 An Oldenburg Group Company  
 1717 West Civic Drive Milwaukee, WI 53209  
 414-354-6600  
 Design Modification Rights Reserved  
 © Visa Lighting 2002

**INSTALLATION INSTRUCTIONS: CB6372**  
**Fixture family name: PLANA**

Description:  
 MOUNTING INSTRUCTIONS

Drawing : 760394XX      Sheet 1 of 1  
 Rev: A      Eng: DAW      Date drawn: 9/12/2002