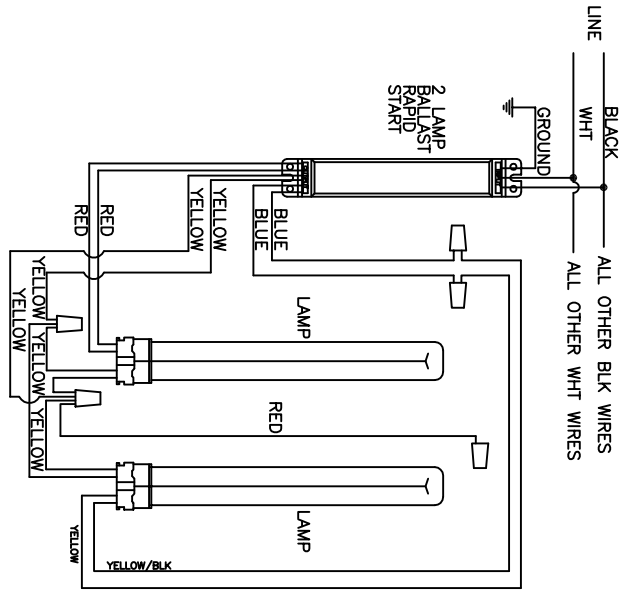


WIRING DIAGRAM FOR ELECTRONIC BALLAST WITH REMOTE EMERGENCY
 (1) LAMP OPERATES IN EMERGENCY MODE
 THIS DIAGRAM IS FOR VISA
 INTERNAL ASSEMBLY ONLY



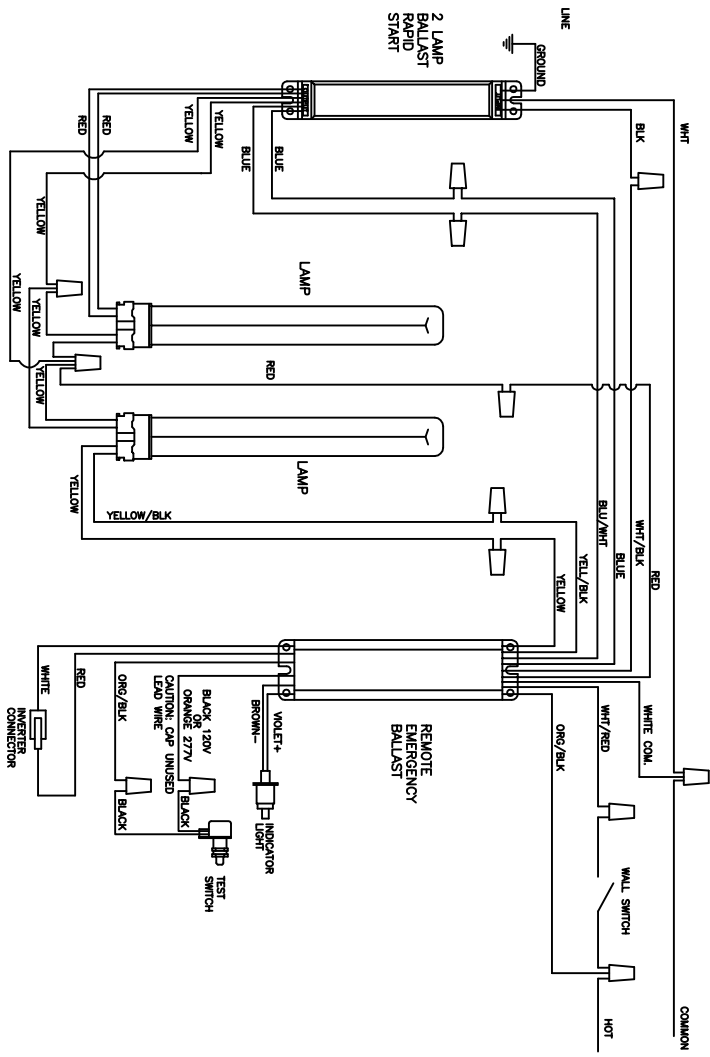
1. THE ABOVE DIAGRAM SHOWS HOW VISA WILL WIRE A FIXTURE WHEN SUPPLIED WITH AN EMERGENCY BALLAST.
2. THE YELLOW, YELLOW/BLK, BLUE, WHT, BLK, AND APPROPRIATE RED WIRES WILL BE LONG ENOUGH TO EXTEND 8" OUT OF THE BACK OF THE FIXTURE.

G211
GX24q-3
G24q-3
G24q-2
G24q-1
LAMP HOLDERS - (4 PIN)

THE ABOVE TABLE SHOWS THE LAMPHOLDERS THAT CAN USE THIS WIRE DIAGRAM.

□ = WIRE NUT OR CONNECTOR

WIRING DIAGRAM FOR ELECTRONIC BALLAST WITH REMOTE EMERGENCY
 (1) LAMP OPERATES IN EMERGENCY MODE
 (TO BE WIRED BY INSTALLER)



1. INSTALLER: REMOVE APPROPRIATE WIRE NUTS, THEN WIRE THE REMOTE EMERGENCY BALLAST PER THE DIAGRAM SHOWN ABOVE.
2. MAKE ALL ELECTRICAL CONNECTIONS PER THE LOCAL AND NATIONAL ELECTRICAL CODES.
3. CONSULT THE EMERGENCY BALLAST MANUFACTURER'S INSTRUCTION MANUAL FOR FURTHER DETAILS.

EQURP = END OF LAMP REDUCED POWER

REV	VCN #	DESCRIPTION	BY DATE
B	06-0312	UPDATED	MTC/11-14-06

MADE FROM:	TOLERANCES: UNLESS OTHERWISE SPECIFIED
LINEAR : .XX ± 0.02	ANGULAR : ± 0.50°
	.XXX ± 0.005

VISA LIGHTING
 An Oclenberg Group Company
 1777 West Chicago Drive, Milwaukee, WI 53209

DESCRIPTION: DIAG EM FXSE 2L SERIES ELE RAPID START (EOLRP) B94 W/DELAY ROUTED TO DEPARTMENTS. DDC

DIMENSIONS IN INCHES UNLESS NOTED (OO NOT SCALE)

SCALE: _____

DRAWN BY: DAF DATE: 03-30-05 CHECKED BY: ddtlle

DRAWING NUMBER / PART NUMBER: 760632XX

REVISION: _____