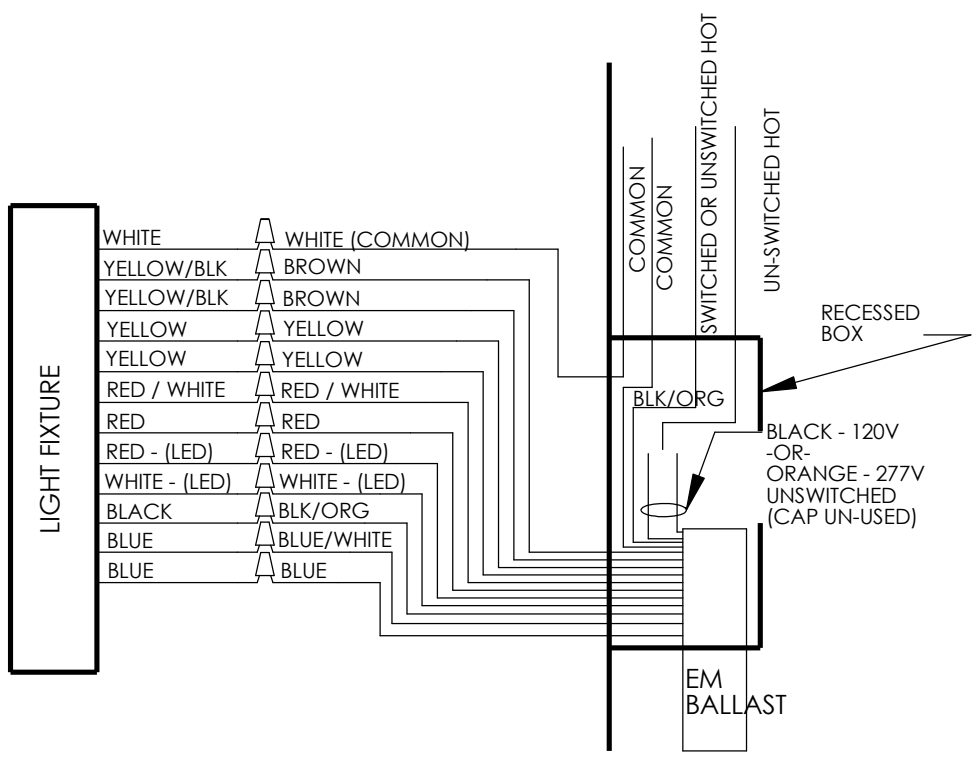
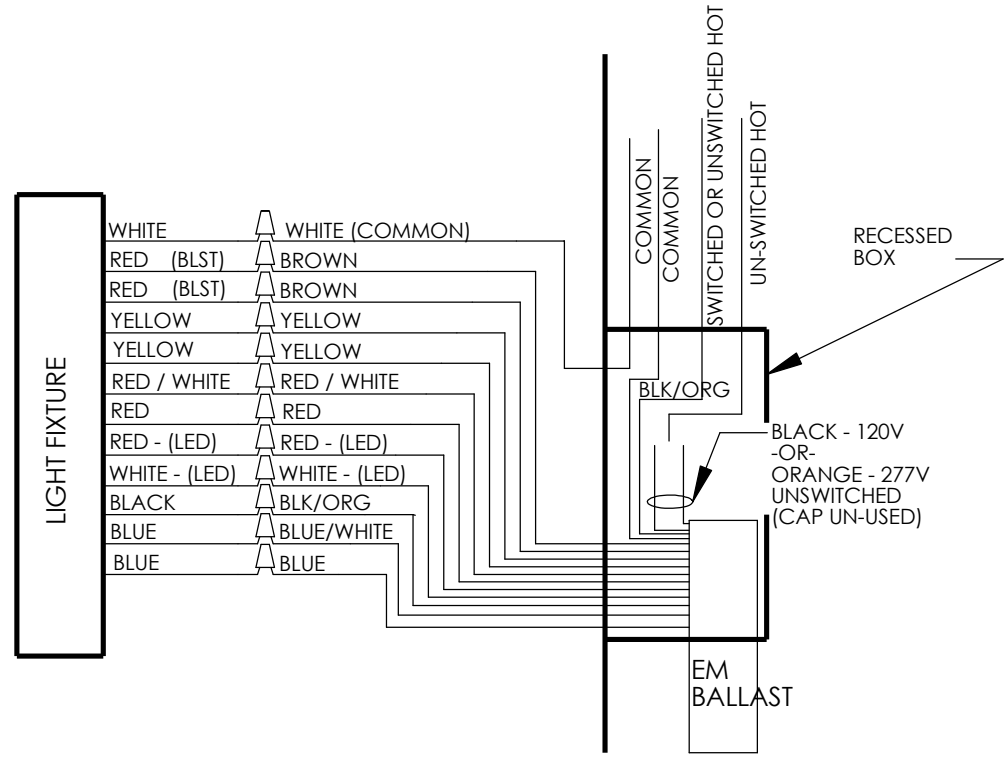


2 LAMP FIXTURE/
1 LAMP EM



1 LAMP FIXTURE



BE SURE TO READ ALL INSTRUCTIONS, INCLUDING EMERGENCY BALLAST INSTRUCTIONS.

When using electrical equipment, basic safety precautions should always be followed, including the following:
 1) Read all instructions carefully before installing and save for future use. Make sure all connections are in accordance with the National Electrical Code and local regulations.
 2) To avoid possible electric shock, be sure the power supply is turned off before servicing or installing the fixture. Service should be performed by qualified personnel.
 3) These instructions may not cover all details or variations. If additional information is needed, please contact Visa Lighting.

Drawing : 760700XX
Rev : C Sheet 1 of 1

VISA LIGHTING
 An Oldenburg Group Company
 1717 West Civic Drive Milwaukee, WI 53209
 414-354-6600
 Design Modification Rights Reserved
 © Visa Lighting 2006

INSTALLATION INSTRUCTIONS: XEM
Fixture family name: WIRING DIAGRAM (I-42)
 Description: EMERGENCY BALLAST WIRING DIAGRAM FOR USE WITH RECESSED 4" XEM OPTION
 Drawing : 760700XX Sheet 1 of 1
 Rev: C Eng: MAR Date drawn: 3/7/2006