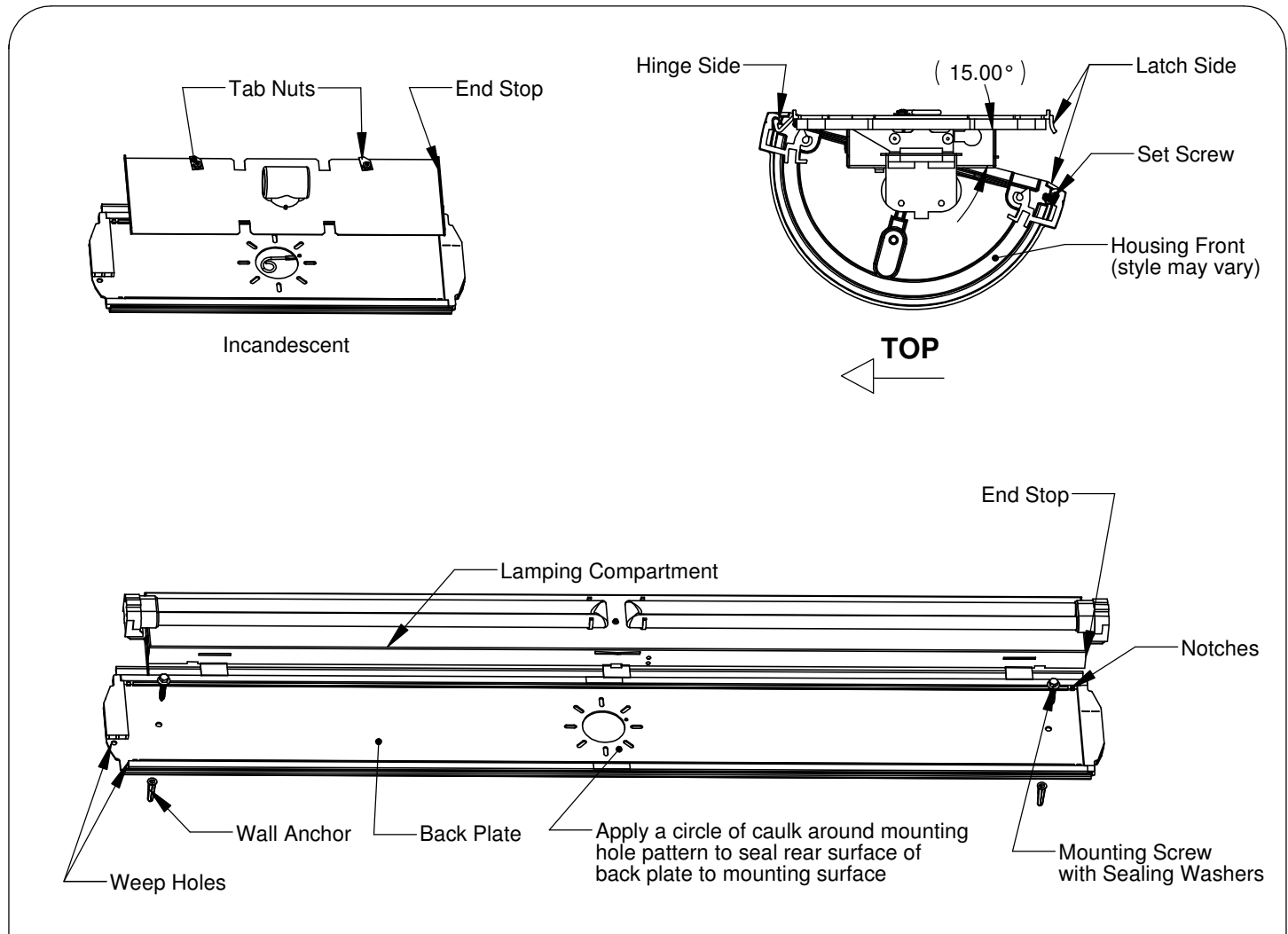


# INSTALLATION INSTRUCTIONS

Fixture Family: **Metro/Borough**  
Document Description: Installation Instructions for  
horizontal mounting for Metro/Borough



Drawing: 760735XX

Rev: A

Sheet: 1 of 1

Eng: AMO

Date Drawn: 10/11/2007

## Horizontal Orientation (Optional)

1. Open fixture by loosening Set screws on Latch side of Housing front. Remove Back plate from Housing front.
2. Gently squeeze Lamping compartment to remove it from the Back plate. For incandescent version, loosen tab nuts.
3. Mark the locations for the Wall anchors. It is helpful to place the Back plate over the junction box and mark the locations through the holes. For correct orientation the weep holes and set screws should be on bottom of the fixture and the arrow on the label should be pointing up. Note: 18" version does not use Wall anchors.
4. Drill 5/16" diameter holes at the marked locations and install the Wall anchors.
5. Water seal the Back plate to the mounting surface by using caulk in a circle around the Mounting hole pattern.
6. Level and attach the Back plate to the junction box with j-box screws and to the wall with the Mounting nuts and Mounting screws with sealing washer as indicated. Be sure Weep holes are oriented down. Be sure Back plate is straight and not bowed when tightening Mounting screws.
7. Make all appropriate wire connections.
8. Re-attach Lamping compartment to the Back plate by gently squeezing the Lamping compartment and snapping into channel. Where appropriate, install with lamp base up. Be sure to line up the End stops with Notches in the Back plate. Install lamps. For incandescent version, tighten tab nuts with tabs inserted into channel.
9. Hook the Housing front Hinge side on to the hinge side of the Back plate; this is best achieved by doing so at a 15 degree angle. While pushing Housing front closed tightly, tighten Set screws.

When using electrical equipment, basic safety precautions should always be followed, including the following:

- Read all instructions carefully installing and save for future use.
- Make sure all connections are in accordance with the National Electrical Code and local regulations.
- To avoid possible electric shock, be sure the power supply is turned off before servicing or installing the fixture.
- Service should be performed by qualified personnel.
- These instructions may not cover all details or variations. If additional information is needed, please contact Visa Lighting.