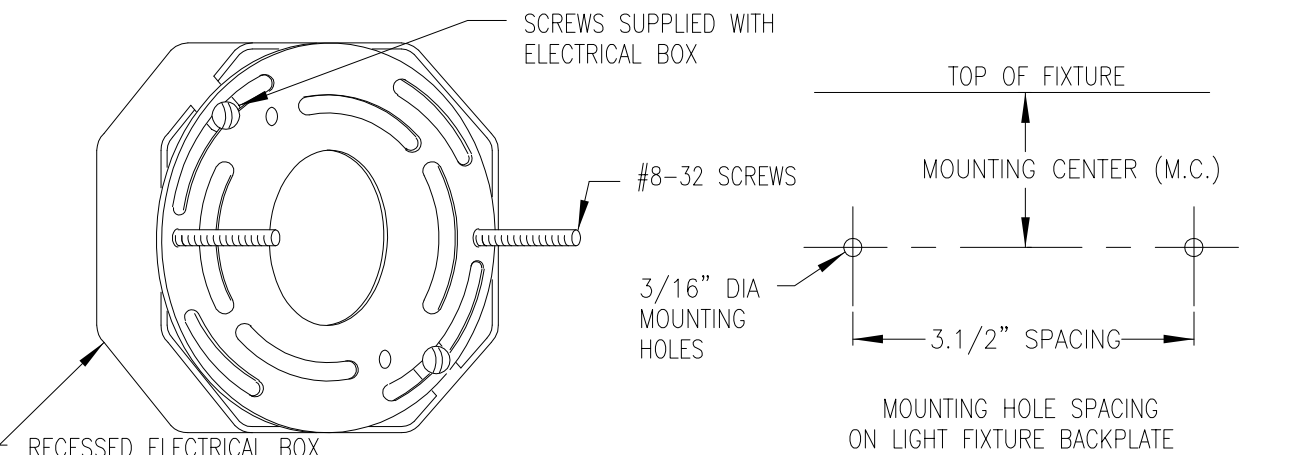
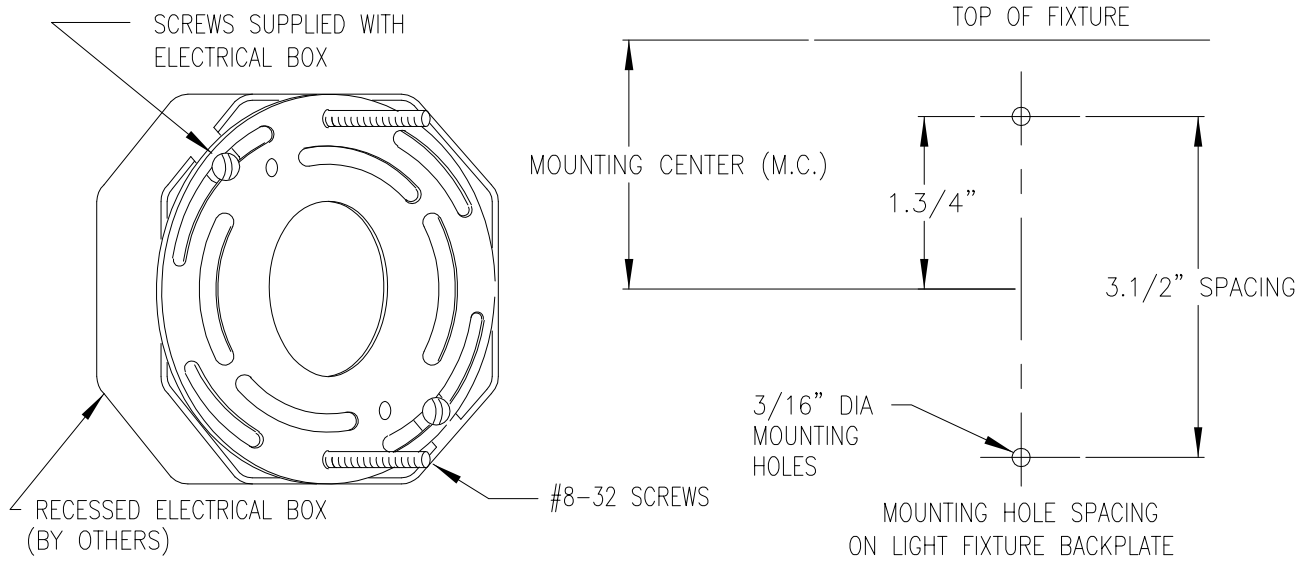
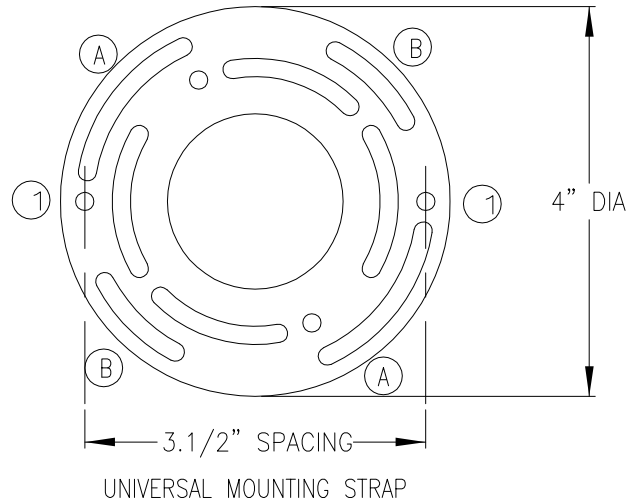


NOTE : ELECTRICAL BOX MUST BE STRUCTURALLY MOUNTED IN ACCORDANCE WITH LOCAL, STATE AND NATIONAL CODES.

WARNING : RISK OF FIRE, FOLLOW INSTRUCTIONS AS DESCRIBED ON EACH FIXTURE.

- 1) SECURELY FASTEN (#8-32) SCREWS PROVIDED INTO TAPPED HOLES "1" ON THE UNIVERSAL STRAP.
- 2) LEVEL & FASTEN UNIVERSAL STRAP TO BOX THRU SLOT "A" OR "B" DEPENDING ON THE ORIENTATION OF THE BOX (FASTENERS & BOX BY OTHERS), AND THE ORIENTATION OF MOUNTING HOLES ON THE BACKPLATE OF THE FIXTURE.
- 3) MAKE ALL NECESSARY WIRE CONNECTIONS ACCORDING TO NATIONAL & LOCAL ELECTRICAL CODES
- 4) SECURELY FASTEN LIGHTING FIXTURE THRU HOLES CORRESPONDING TO SCREWS #1, WITH THUMB NUTS PROVIDED



When using electrical equipment, basic safety precautions should always be followed, including the following:
 1) Read all instructions carefully before installing and save for future use. Make sure all connections are in accordance with the National Electrical code and local regulations.
 2) To avoid possible electric shock, be sure the power supply is turned off before servicing or installing the fixture. Service should be performed by qualified personnel.
 3) These instructions may not cover all details or variations. If additional information is needed, please contact Visa Lighting.

VISA LIGHTING
 An Oldenburg Group Company

Milwaukee, WI
 414-354-6600
 Design Modification Rights Reserved
 ©Visa Lighting 2001

INSTALLATION INSTRUCTIONS:	
Family fixture name:	
Description:	UNIVERSAL MOUNTING STRAP
Drawing:	760002XX
Rev:	A
Sheet 1 of 1	Eng: MJR
Date drawn:	1993

Drawing: 760002XX
 Rev: A
 Sheet 1 of 1