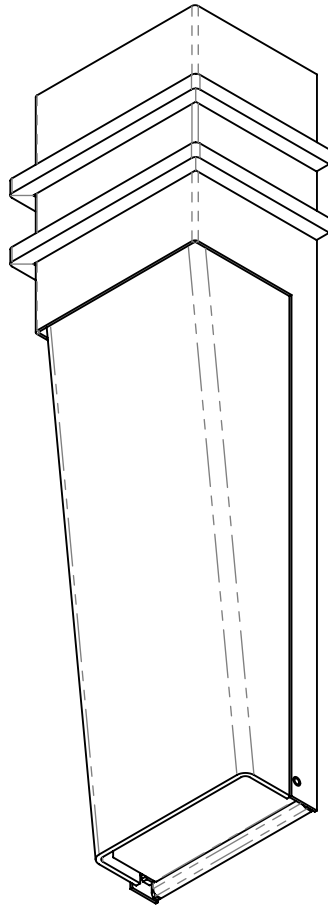


# INSTALLATION INSTRUCTIONS

Model: **CB6470**  
Fixture Family: **WEDGE**  
Document Description: Installation Instructions for  
WEDGE Series Luminaires

**VISA LIGHTING**  
AN OLDENBURG GROUP COMPANY  
1717 West Civic Drive Milwaukee, WI 53209  
414-354-6600  
Design Modification Rights Reserved  
© Visa Lighting 2016



**WEDGE**

**CB6471**

Drawing: 760389XX

Rev: D

Sheet: 1 of 2

Eng: CLD

Date Drawn: 08/26/16

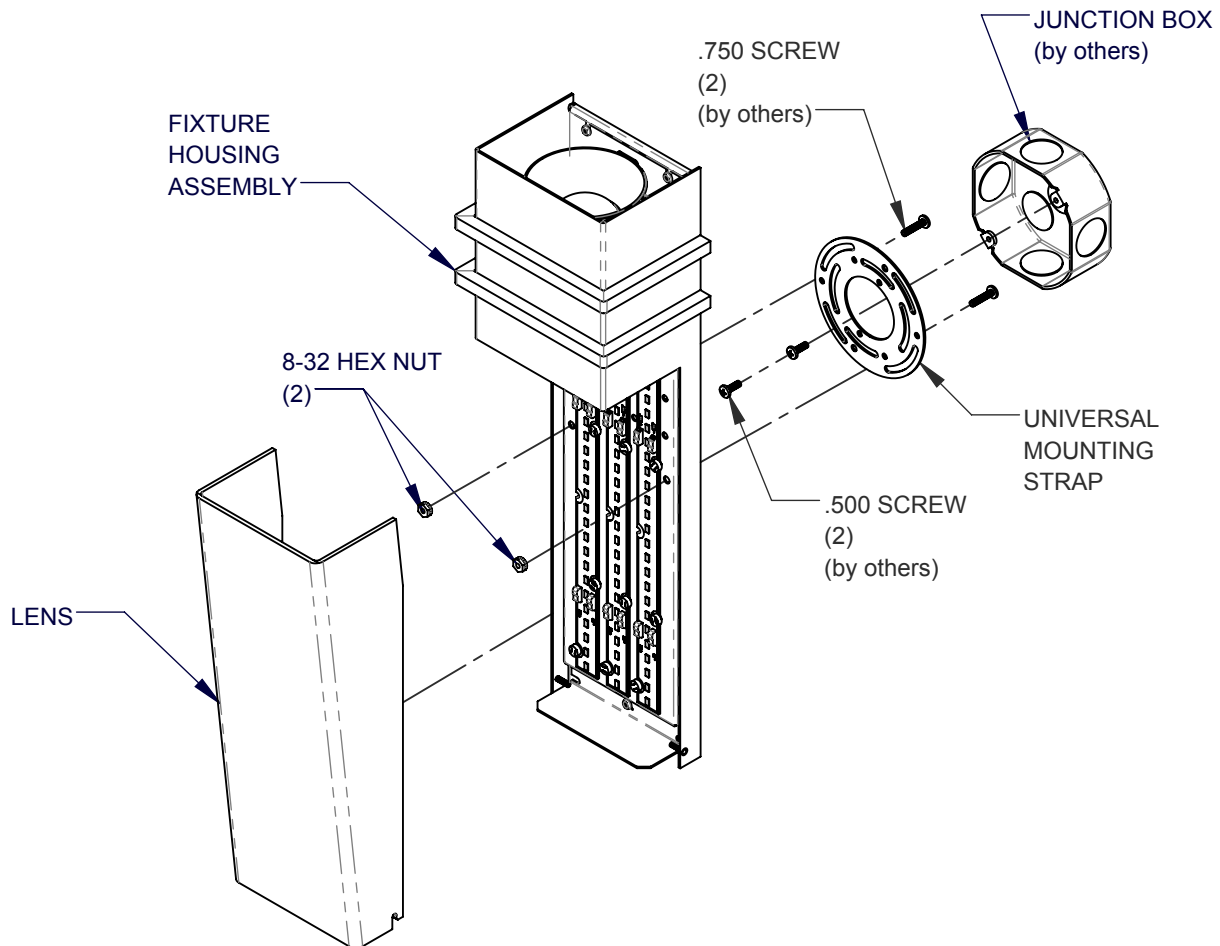
**!** When using electrical equipment, basic safety precautions should always be followed, including the following:

- Read all instructions carefully before installing and save for future use.
- Make sure all connections are in accordance with the National Electrical Code and local regulations.
- To avoid possible electric shock, be sure the power supply is turned off before servicing or installing the fixture.
- Service should be performed by qualified personnel.
- These instructions may not cover all details or variations. If additional information is needed, please contact Visa Lighting.

# INSTALLATION INSTRUCTIONS

Model: **CB6470**  
Fixture Family: **WEDGE**  
Document Description: Installation Instructions for  
WEDGE Series Luminaires

**VISA LIGHTING**  
AN OLDENBURG GROUP COMPANY  
1717 West Civic Drive Milwaukee, WI 53209  
414-354-6600  
Design Modification Rights Reserved  
© Visa Lighting



## Instructions:

1. Fasten the universal mounting bracket to the junction box with the screws (by others).
2. Remove the acrylic lens.
3. Loosen the upper lamp plate assembly out from the housing assembly.
4. Secure the back plate assembly to universal mounting bracket with provided hex nuts.
5. Make electrical connections per local and national codes.
6. Carefully slide LED lamp plate assembly back into housing assembly.
7. Reinstall lower lamp plate assembly screw. Tighten upper lamp plate assembly screw.
8. Reinstall acrylic lens.
9. Install upper lamp.

When using electrical equipment, basic safety precautions should always be followed, including the following:

- Read all instructions carefully before installing and save for future use.
- Make sure all connections are in accordance with the National Electrical Code and local regulations.
- To avoid possible electric shock, be sure the power supply is turned off before servicing or installing the fixture.
- Service should be performed by qualified personnel.
- These instructions may not cover all details or variations. If additional information is needed, please contact Visa Lighting.

Drawing: 760389XX

Rev: D

Sheet: 2 of 2

Eng: CLD

Date Drawn: 08/26/16