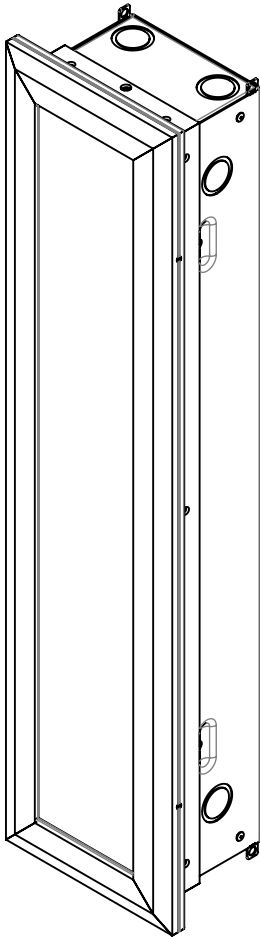


# INSTALLATION INSTRUCTIONS

Model: **OW1600 OW1604 OW1606 OW1610**  
Fixture Family: **Visage**  
Document Description: Installation Instructions for  
VISAGE Series Luminaires

**VISA LIGHTING**  
AN OLDENBURG GROUP COMPANY  
1717 West Civic Drive Milwaukee, WI 53209  
414-354-6600  
Design Modification Rights Reserved  
© Visa Lighting



## VISAGE RECESSED WALL MOUNT

**OW1600**  
**OW1604**  
**OW1606**  
**OW1610**

Drawing: 760641XX

Rev: C

Sheet: 1 of 3

Eng: GJW

Date Drawn: 8/19/2005

**!** When using electrical equipment, basic safety precautions should always be followed, including the following:

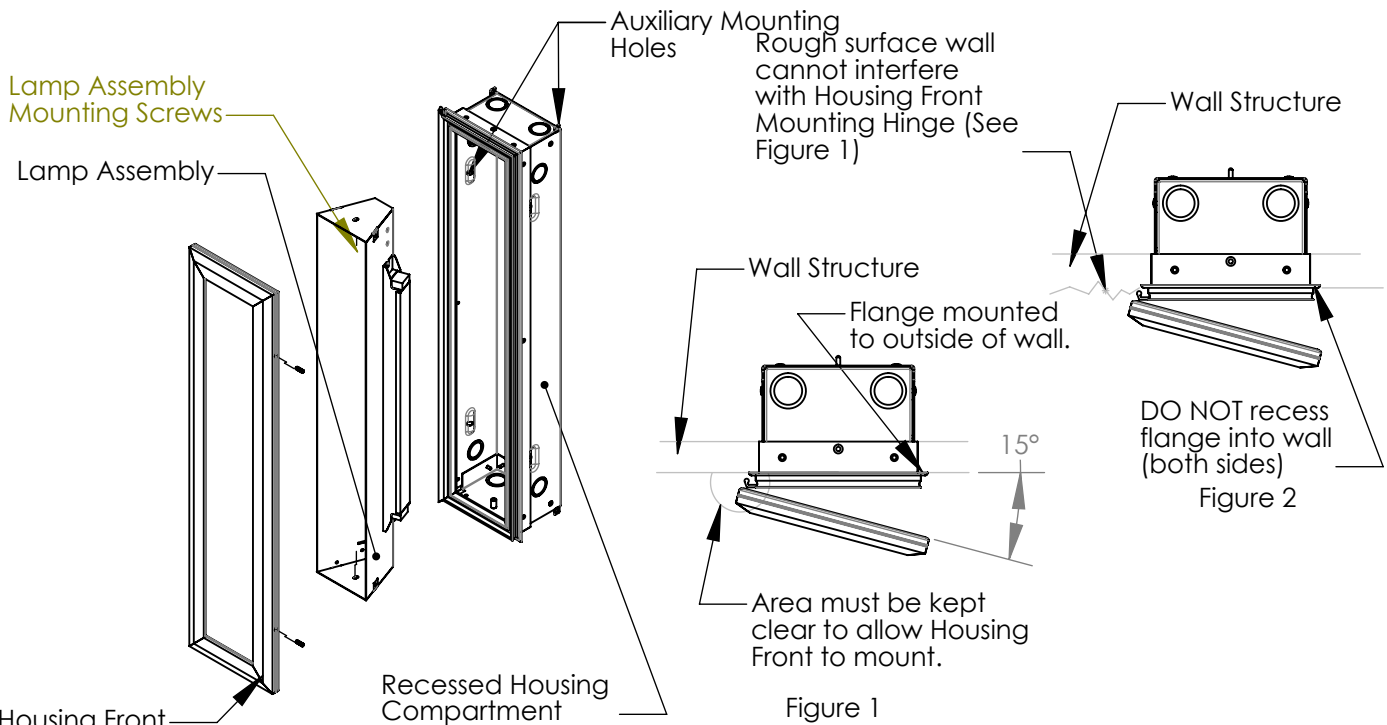
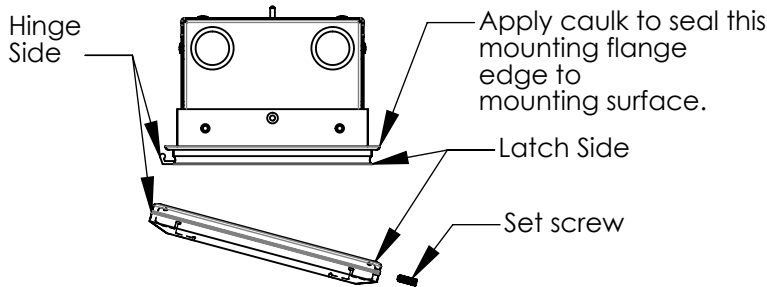
- Read all instructions carefully before installing and save for future use.
- Make sure all connections are in accordance with the National Electrical Code and local regulations.
- To avoid possible electric shock, be sure the power supply is turned off before servicing or installing the fixture.
- Service should be performed by qualified personnel.
- These instructions may not cover all details or variations. If additional information is needed, please contact Visa Lighting.

# INSTALLATION INSTRUCTIONS

Model: **OW1600 OW1604 OW1606 OW1610**  
 Fixture Family: **Visage**  
 Document Description: Installation Instructions for  
 VISAGE Series Luminaires

## FIXTURE WALL OPENING SIZE

FIXTURE	OPENING WIDTH	OPENING LENGTH
OW1600	5"	24 1/4"
OW1604	5"	36 3/8"
OW1606	5"	47 7/8"
OW1610	5"	59 7/8"



1. Open fixture by loosening set screws on latch side of housing front. Remove recessed housing from housing front.
2. Remove lamp assembly screws. Remove lamp assembly from recessed housing.
3. Recessed housing requires wall opening size listed in the table above.
4. NOTE: Auxiliary mounting holes are provided depending on wall structure and mounting method (screws by others). Mounting the recessed housing compartment requires that the area along the hinge side is clear for mounting the housing front (See figure 1 Above). The front flange needs to be flush to the outside of the wall - DO NOT recess into concrete, mortar, ect or the front face will not have enough on mounting surface and mounting flange before setting fixture in place to provide a water tight seal.
5. Apply caulk all around on mounting surface and mounting flange before setting fixture in place to provide a water tight seal.
6. Mount recessed housing to wall.
7. Make all appropriate wire connections.
8. Re-attach lamping Assembly to the recessed housing with lamp assembly screws. Install lamps.
9. hook the housing front hinge side on to the hinge side of the recessed housing. While pushing housing front closed tightly, thicken set screws

**!** When using electrical equipment, basic safety precautions should always be followed, including the following:

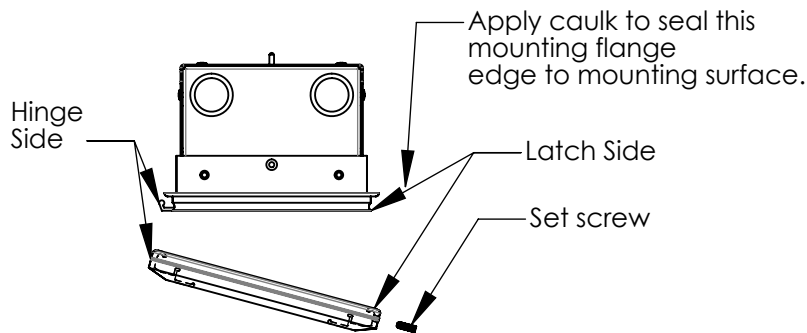
- Read all instructions carefully before installing and save for future use.
- Make sure all connections are in accordance with the National Electrical Code and local regulations.
- To avoid possible electric shock, be sure the power supply is turned off before servicing or installing the fixture
- Service should be performed by qualified personnel.
- These instructions may not cover all details or variations. If additional information is needed, please contact Visa Lighting.

Drawing: 760641XX  
 Rev: C  
 Sheet: 2 of 3  
 Eng: GJW  
 Date Drawn: 8/19/2005

# INSTALLATION INSTRUCTIONS

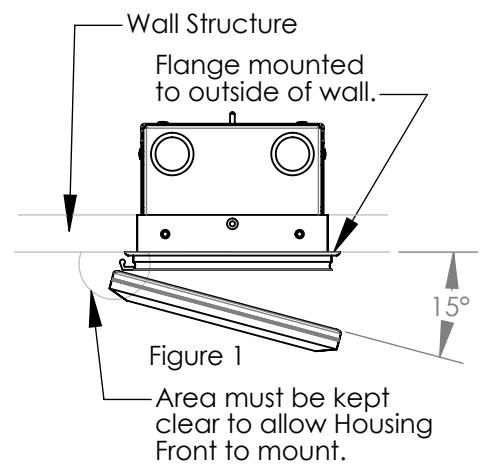
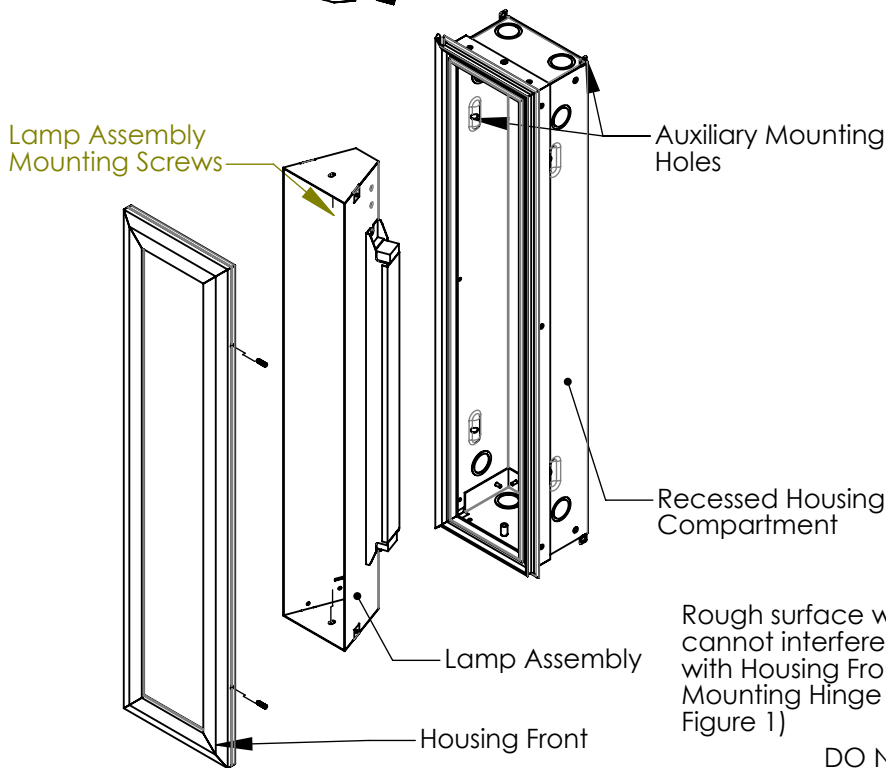
Model: **OW1600 OW1604 OW1606 OW1610**  
 Fixture Family: **Visage**  
 Document Description: Installation Instructions for  
 VISAGE Series Luminaires

**VISA LIGHTING**  
 AN OLDENBURG GROUP COMPANY  
 1717 West Civic Drive Milwaukee, WI 53209  
 414-354-6600  
 Design Modification Rights Reserved  
 © Visa Lighting



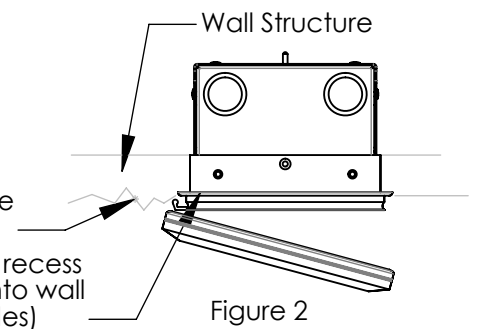
## FIXTURE WALL OPENING SIZE

FIXTURE	OPENING WIDTH	OPENING LENGTH
OW1600	5"	24 1/4"
OW1604	5"	36 3/8"
OW1606	5"	47 7/8"
OW1610	5"	59 7/8"



Rough surface wall cannot interfere with Housing Front Mounting Hinge (See Figure 1)

DO NOT recess flange into wall (both sides)



1. Open fixture by loosening set screws on latch side of housing front. Remove recessed housing from housing front.
2. remove lamp assembly screws, remove lamp assembly from recessed housing.
3. Recessed housing requires wall opening size listed in the table above. Choose appropriate size and prepare wall structure.
4. Note: Auxiliary mounting holes are provided depending on wall structure and mounting method (screws by others). Mounting the recessed housing compartment requires the area along the hinge side is clear for mounting the housing front (See Figure 1). The front flange needs to be flush to the outside of the wall - DO NOT recess into concrete, mortar, ect of the front face will not have enough clearance to mount (See Figure 2)
5. Apply caulk all around on mounting surface and mounting flange before setting fixture in place to provide a water tight seal.
6. Mount recessed housing to wall.
7. Make all appropriate wire connections.
8. Re-attach lamping assembly to the recessed housing with lamp assembly screw. Install lamps.
9. Hook the housing front side onto the hinge side of the recessed housing. While pushing housing front closed tight.

When using electrical equipment, basic safety precautions should always be followed, including the following:

- Read all instructions carefully before installing and save for future use.
- Make sure all connections are in accordance with the National Electrical Code and local regulations.
- To avoid possible electric shock, be sure the power supply is turned off before servicing or installing the fixture
- Service should be performed by qualified personnel.
- These instructions may not cover all details or variations. If additional information is needed, please contact Visa Lighting.

Drawing: 760641XX

Rev: C

Sheet: 3 of 3

Eng: GJW

Date Drawn: 8/19/2005