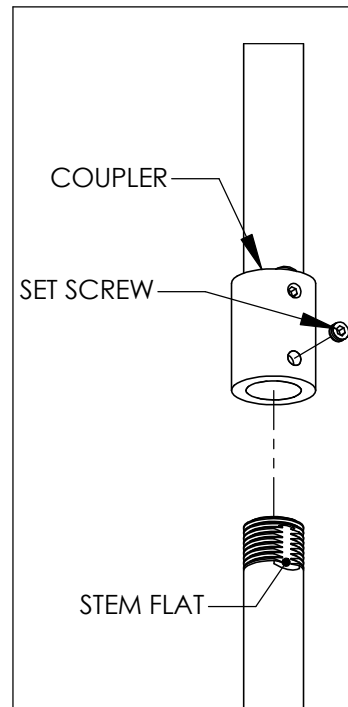


NOTE: UPPER KNOCKOUTS AND SCREW MOUNTING TABS TO BE REMOVED. SEE SHEET 2 OF 2 FOR DETAILS.

SUPPORT YOKE
NOTE: YOKE REDUCES SPACE FOR WIRING BY 3.5 CU."



For a long overall, attach the stem segments with supplied coupler. Align flats on stem to set screws and securely fasten.

Preparation

**The structural support is to be suitable for a 150 pound load minimum. Please consult a structural engineer for appropriate safety factors per local and national codes. Refer to sheet 2 of 2 for more details on support options. Support Yoke is designed to fit inside of a 4" octagonal junction box, 2-1/8" deep.

Instructions

- 1) Remove necessary knock-outs & junction box screw mounting tabs as necessary (refer to sheet 2 of 2 for further details) and securely install support yoke to building structure.
- 2) Insert swivel ball/stem assembly through cast swivel plate and fasten swivel ball retainer & ground wire with screws provided.
- 3) Insert stem through canopy, pull fixture wires through stem and securely fasten stem to the fixture.
- 4) Fasten cast swivel plate to support yoke with 1/4-20 screws provided.
- 5) Make all wire connections per local and national codes.
- 6) Lift canopy in place and secure with screws provided.

When using electrical equipment, basic safety precautions should always be followed, including the following:
 1) Read all instructions carefully before installing and save for future use. Make sure all connections are in accordance with the National Electrical Code and local regulations.
 2) To avoid possible electric shock, be sure the power supply is turned off before servicing or installing the fixture. Service should be performed by qualified personnel.
 3) These instructions may not cover all details or variations. If additional information is needed, please contact Visa Lighting.

Drawing : 760659XX
Rev : A Sheet 1 of 2

VISA LIGHTING
 An Oldenburg Group Company
 1717 West Civic Drive Milwaukee, WI 53209
 414-354-6600
 Design Modification Rights Reserved
 © Visa Lighting 2006

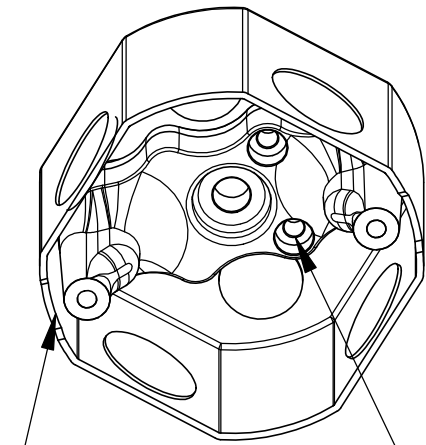
INSTALLATION INSTRUCTIONS: CC & CP
Fixture family name: Pendants & Chandeliers

Description: FIELD INSTRUCTION FOR MOUNTING SWIVEL HANGER THROUGH JUNCTION BOX

Drawing : 760659XX
 Rev: A

Sheet 1 of 2
 Eng: CGA

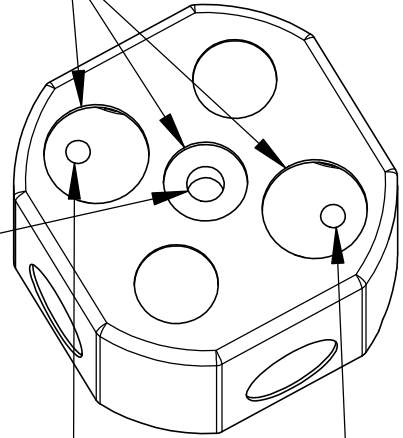
Date drawn: 4/28/2006



Junction box tabs removed to make room for support yoke.

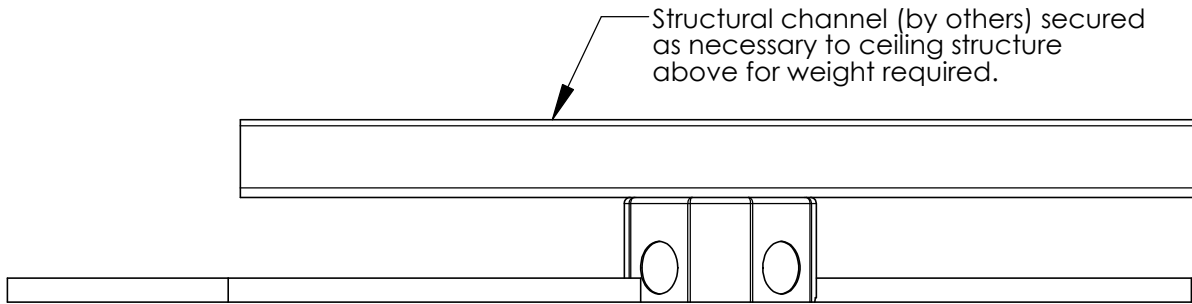
Auxiliary mounting hole to temporarily fasten yoke to box. Yoke must be independently supported from above.

Remove knockouts to provide access for structural mounting.

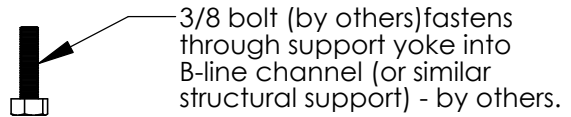


Yoke has center hole clearance for 3/8 bolt

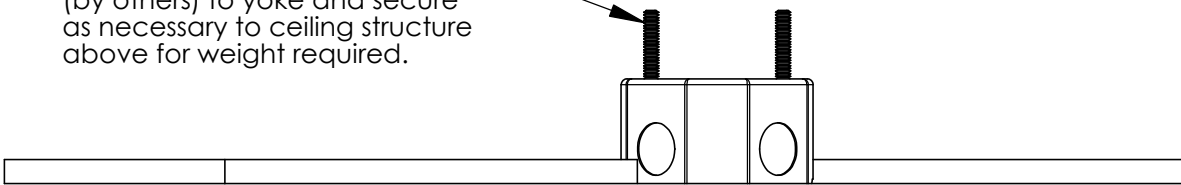
Yoke has (2) tapped holes for 5/16-18



EXAMPLE #1



Attach (2) 5/16-18 support rods (by others) to yoke and secure as necessary to ceiling structure above for weight required.



EXAMPLE #2

When using electrical equipment, basic safety precautions should always be followed, including the following:
 1) Read all instructions carefully before installing and save for future use. Make sure all connections are in accordance with the National Electrical Code and local regulations.
 2) To avoid possible electric shock, be sure the power supply is turned off before servicing or installing the fixture. Service should be performed by qualified personnel.
 3) These instructions may not cover all details or variations. If additional information is needed, please contact Visa Lighting.

Drawing : 760659XX
Rev : A **Sheet 2 of 2**

VISA LIGHTING
 An Oldenburg Group Company
 1717 West Civic Drive Milwaukee, WI 53209
 414-354-6600
 Design Modification Rights Reserved
 © Visa Lighting 2006

INSTALLATION INSTRUCTIONS: CC & CP
Fixture family name: Pendants & Chandeliers

Description: FIELD INSTRUCTION FOR MOUNTING SWIVEL HANGER THROUGH JUNCTION BOX

Drawing : 760659XX
 Rev: A

Sheet 2 of 2
 Eng: CGA

Date drawn: 4/28/2006