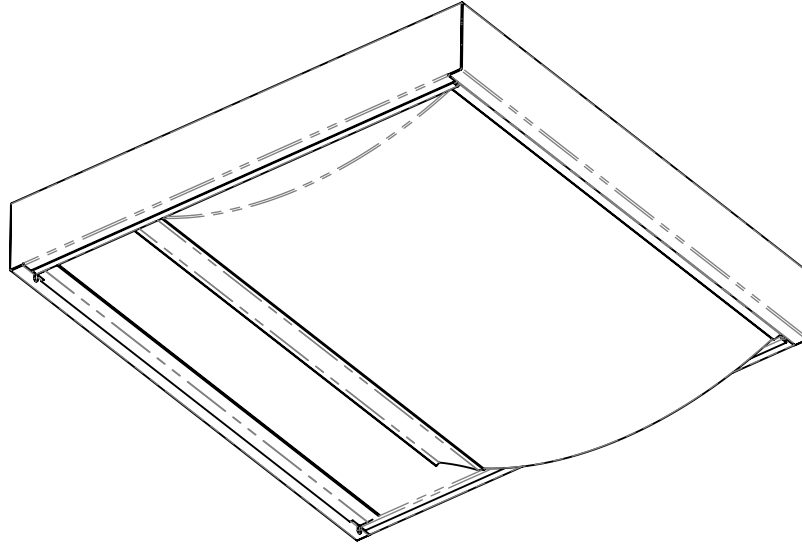


INSTALLATION INSTRUCTIONS

Model: **UNITY**
Fixture Family: **CEILING RECESSED MOUNT**
Document Description: Installation Instructions for
CM1900, CM1901, CM1906 Series Luminaires



UNITY CEILING RECESSED MOUNT

CM1900
CM1901
CM1906

Drawing: 760835XX

Rev: D

Sheet: 1 of 8

Eng: PAO

Date Drawn: 07/22/10

 When using electrical equipment, basic safety precautions should always be followed, including the following:

- Read all instructions carefully before installing and save for future use.
- Make sure all connections are in accordance with the National Electrical Code and local regulations.
- To avoid possible electric shock, be sure the power supply is turned off before servicing or installing the fixture.
- Service should be performed by qualified personnel.
- These instructions may not cover all details or variations. If additional information is needed, please contact Visa Lighting.

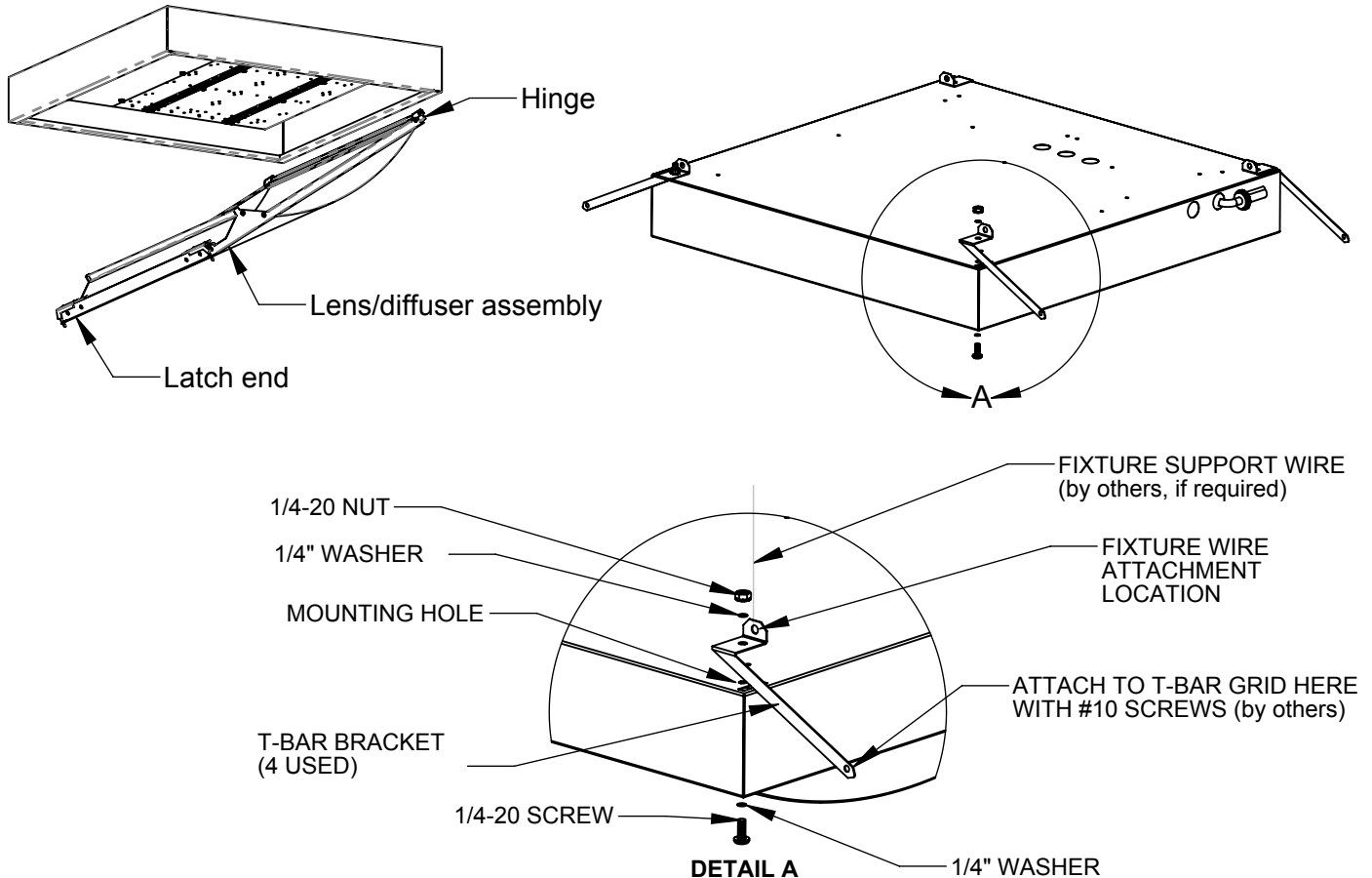
INSTALLATION INSTRUCTIONS



Model: **UNITY**
Fixture Family: **CEILING RECESSED MOUNT**
Document Description: Installation Instructions for
CM1900, CM1901, CM1906 Series Luminaires

1717 West Civic Drive Milwaukee, WI 53209
414-354-6600
Design Modification Rights Reserved
© Visa Lighting

TYPICAL GRID CEILING RECESSED FIXTURE MOUNTING



1. Remove the lens/diffuser assembly from fixture before attempting installation by unlatching one end. Swing frame down/out approximately 45° and unhook hinge. Set assembly aside and reinstall as last step of installation.
2. Install the fixture in the T-Bar grid system by lifting the fixture through the opening and lowering it onto the T-Bar grid.
3. Install the T-Bar brackets to each of the four corners using the 1/4-20 screws, nuts, and washers.
4. Attach the fixture to the T-Bar grid at all four corners with screws through the T-Bar bracket. It may be necessary to drill a hole through the grid members.
5. If required, each of the four corners of the fixture can be supported by wires from the T-Bar bracket and attached to the building structure.

CAUTION: The T-Bar grid system must be strong enough to support the fixture.

When using electrical equipment, basic safety precautions should always be followed, including the following:

- Read all instructions carefully before installing and save for future use.
- Make sure all connections are in accordance with the National Electrical Code and local regulations.
- To avoid possible electric shock, be sure the power supply is turned off before servicing or installing the fixture.
- Service should be performed by qualified personnel.
- These instructions may not cover all details or variations. If additional information is needed, please contact Visa Lighting.

Drawing: 760835XX

Rev: D

Sheet: 2 of 8

Eng: PAO

Date Drawn: 07/22/10

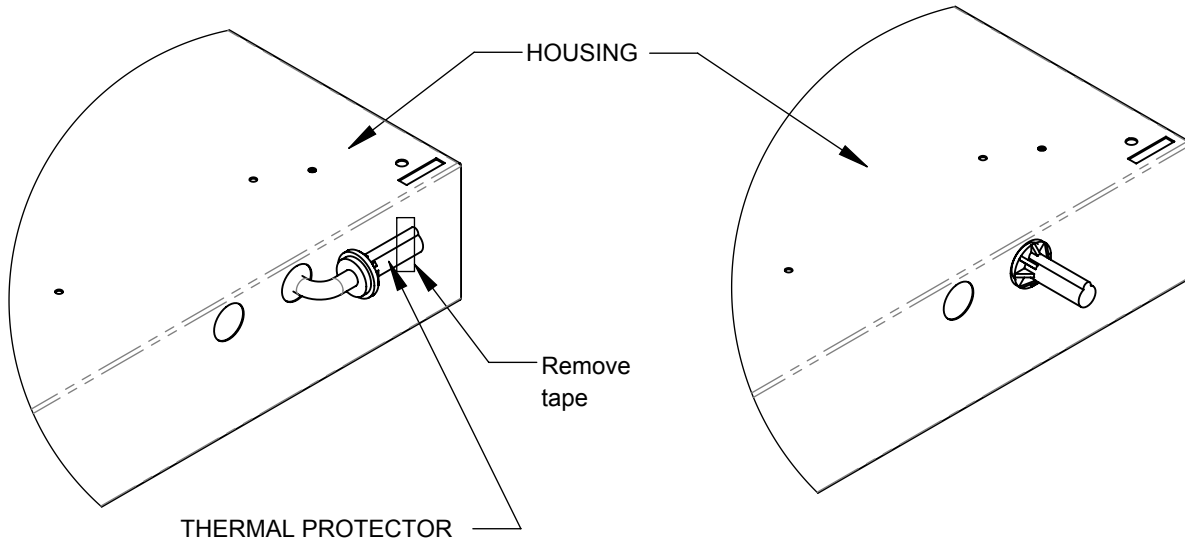
INSTALLATION INSTRUCTIONS



Model: **UNITY**
Fixture Family: **CEILING RECESSED MOUNT**
Document Description: Installation Instructions for
CM1900, CM1901, CM1906 Series Luminaires

1717 West Civic Drive Milwaukee, WI 53209
414-354-6600
Design Modification Rights Reserved
© Visa Lighting

INSULATION DETECTOR INSTALLATION (WHEN SUPPLIED) (SOLID COLOR LED ONLY)



**THERMAL PROTECTOR
(AS SHIPPED)**

**THERMAL PROTECTOR
(INSTALLED)**

1. The thermal protectors are shipped taped to the side of the housing to prevent damage in shipment.
2. After installation into the T-Bar grid system, remove the tape and push the insulation detector into the hole in the housing until it snaps into place.
3. If the housing has (2) insulation detectors, install the second protector like the first.
4. Refer to pages 4 and 5 for how to make the wire connections.

CAUTION: The thermal protectors must not contact the T-Bar grid system.

Drawing: 760835XX

Rev: D

Sheet: 3 of 8

Eng: PAO

Date Drawn: 07/22/10

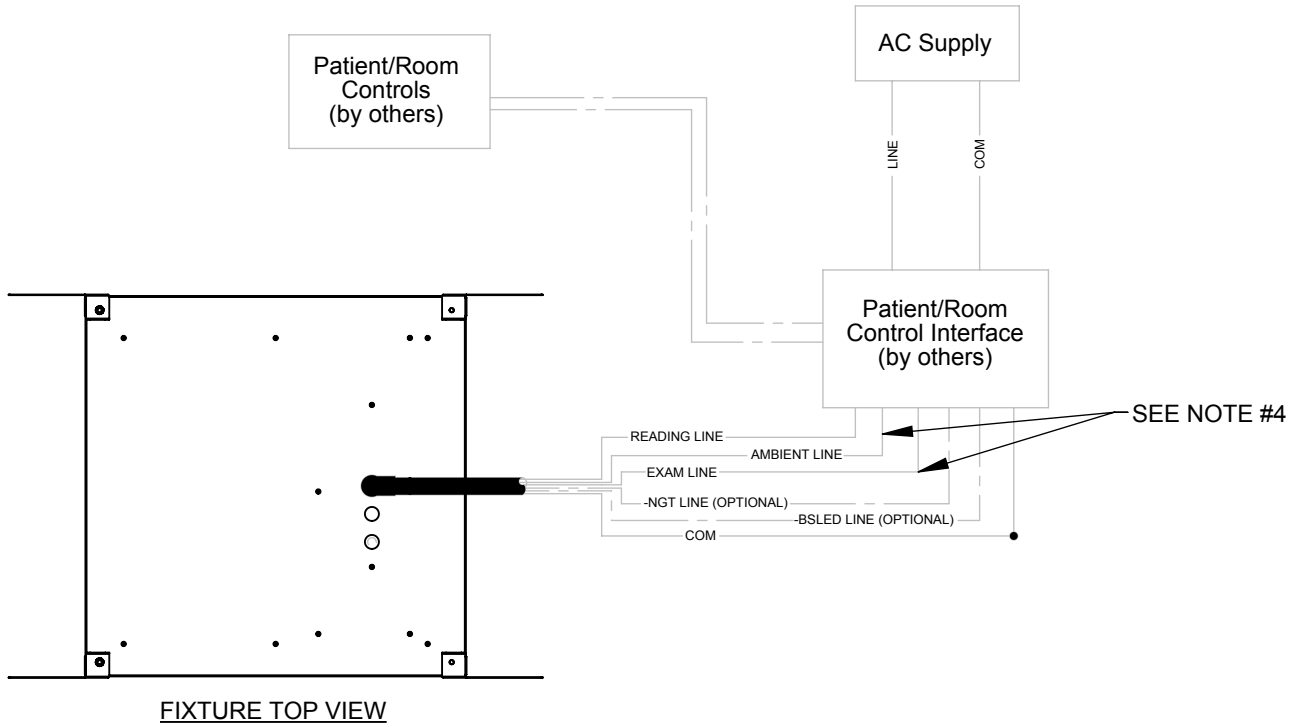
When using electrical equipment, basic safety precautions should always be followed, including the following:

- Read all instructions carefully before installing and save for future use.
- Make sure all connections are in accordance with the National Electrical Code and local regulations.
- To avoid possible electric shock, be sure the power supply is turned off before servicing or installing the fixture.
- Service should be performed by qualified personnel.
- These instructions may not cover all details or variations. If additional information is needed, please contact Visa Lighting.

INSTALLATION INSTRUCTIONS

Model: **UNITY**
Fixture Family: **CEILING RECESSED MOUNT**
Document Description: Installation Instructions for
CM1900,CM1901,CM1906 Series Luminaires

1717 West Civic Drive Milwaukee, WI 53209
414-354-6600
Design Modification Rights Reserved
© Visa Lighting



Drawing: 760835XX

Rev: D

Sheet: 4 of 8

Eng: PAO

Date Drawn: 07/22/10

Wiring Instructions

1. All connections to the fixture except wires from the optional -VIRGB remote driver are at line voltage. Use of a separate control interface (by others), is required to control the fixture by means other than line-voltage switches.
2. All AC inputs to fixture must be supplied from the same branch circuit.
3. It is not recommended that optional -BSLED lighting be controllable from the patient bed, pillow speaker, or patient-accessible wall controls.
4. Ambient line and exam line must both be energized to achieve exam light levels on patient bed surface.

When using electrical equipment, basic safety precautions should always be followed, including the following:

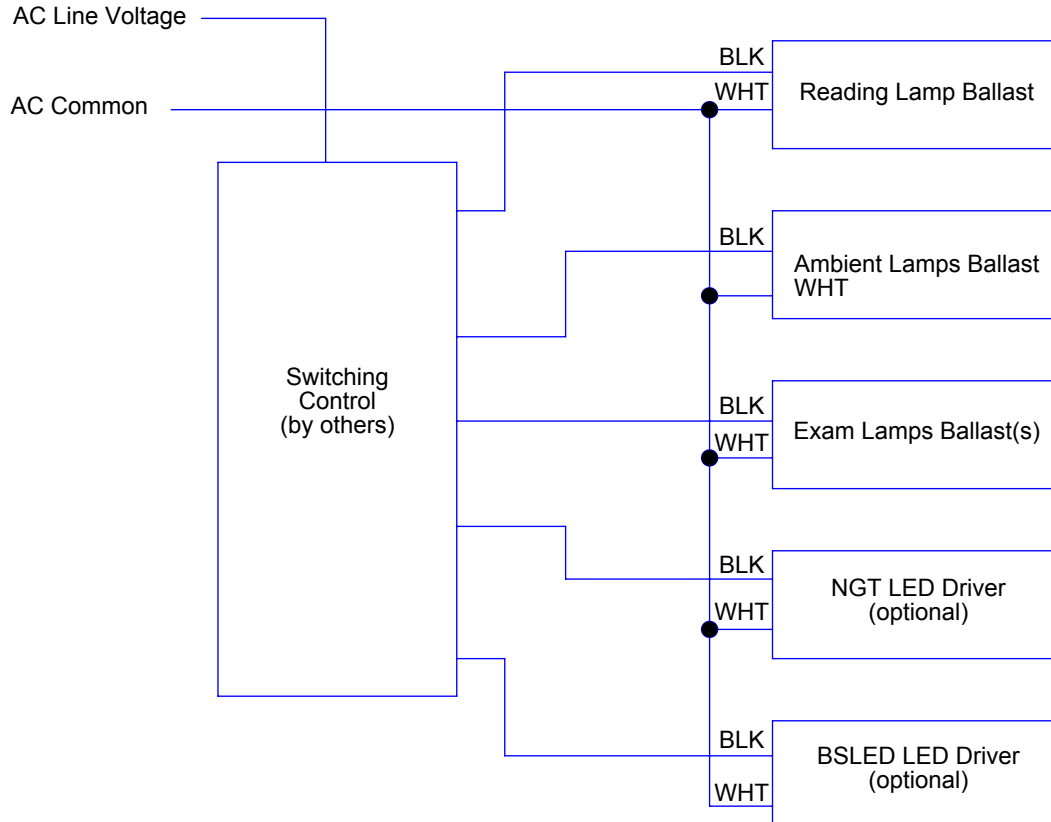
- Read all instructions carefully before installing and save for future use.
- Make sure all connections are in accordance with the National Electrical Code and local regulations.
- To avoid possible electric shock, be sure the power supply is turned off before servicing or installing the fixture.
- Service should be performed by qualified personnel.
- These instructions may not cover all details or variations. If additional information is needed, please contact Visa Lighting.

INSTALLATION INSTRUCTIONS

Model: **UNITY**
Fixture Family: **CEILING RECESSED MOUNT**
Document Description: Installation Instructions for
CM1900,CM1901,CM1906 Series Luminaires

1717 West Civic Drive Milwaukee, WI 53209
414-354-6600
Design Modification Rights Reserved
© Visa Lighting

INTERNAL WIRING BLOCK DIAGRAM



Drawing: 760835XX

Rev: D

Sheet: 5 of 8

Eng: PAO

Date Drawn: 07/22/10

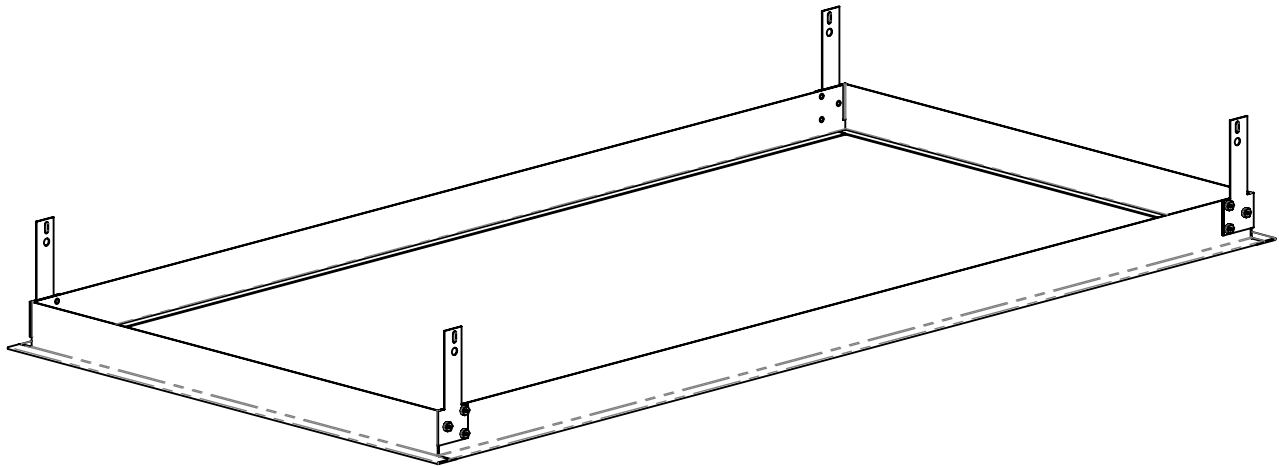
When using electrical equipment, basic safety precautions should always be followed, including the following:

- Read all instructions carefully before installing and save for future use.
- Make sure all connections are in accordance with the National Electrical Code and local regulations.
- To avoid possible electric shock, be sure the power supply is turned off before servicing or installing the fixture.
- Service should be performed by qualified personnel.
- These instructions may not cover all details or variations. If additional information is needed, please contact Visa Lighting.

INSTALLATION INSTRUCTIONS

Model: **UNITY**
Fixture Family: **CEILING RECESSED MOUNT**
Document Description: Installation Instructions for
CM1900, CM1901, CM1906 Series Luminaires

 **VISA LIGHTING**
AN OLDENBURG GROUP COMPANY
1717 West Civic Drive Milwaukee, WI 53209
414-354-6600
Design Modification Rights Reserved
© Visa Lighting



DRYWALL INSTALLATION KIT (SRI) FOR RECESSED UNITY

CM1900
CM1901
CM1906

Drawing: 760835XX

Rev: D

Sheet: 6 of 8

Eng: PAO

Date Drawn: 07/22/10

! When using electrical equipment, basic safety precautions should always be followed, including the following:

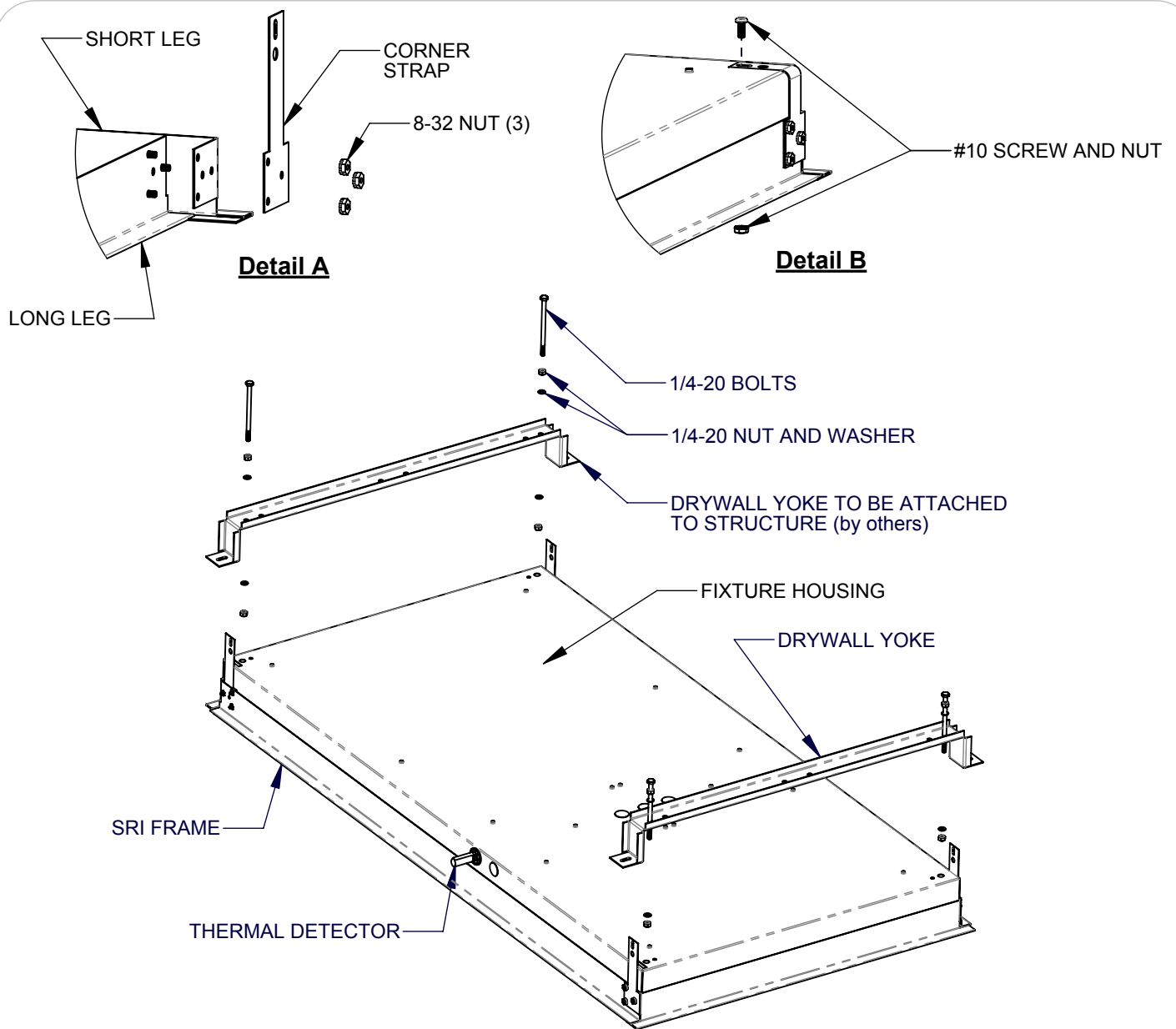
- Read all instructions carefully before installing and save for future use.
- Make sure all connections are in accordance with the National Electrical Code and local regulations.
- To avoid possible electric shock, be sure the power supply is turned off before servicing or installing the fixture.
- Service should be performed by qualified personnel.
- These instructions may not cover all details or variations. If additional information is needed, please contact Visa Lighting.

INSTALLATION INSTRUCTIONS



Model: **UNITY**
Fixture Family: **CEILING RECESSED MOUNT**
Document Description: Installation Instructions for
CM1900, CM1901, CM1906 Series Luminaires

1717 West Civic Drive Milwaukee, WI 53209
414-354-6600
Design Modification Rights Reserved
© Visa Lighting



1. SRI frame - Assemble corners as illustrated in Detail A using (3) 8-32 nuts at each corner.
2. Slide fixture housing into SRI frame.
3. Holding frame to housing securely, hand bend corner strap over top of housing.
4. Secure corner straps with #10 screws and nuts through the slot as shown in Detail B.
5. Attach drywall yokes to structure around opening.
6. Install and adjust 1/4-20 bolts to correct finished length need for flush fixture mounting.
7. Attach fixture to 1/4-20 bolts using washers and nuts.

When using electrical equipment, basic safety precautions should always be followed, including the following:

- Read all instructions carefully before installing and save for future use.
- Make sure all connections are in accordance with the National Electrical Code and local regulations.
- To avoid possible electric shock, be sure the power supply is turned off before servicing or installing the fixture.
- Service should be performed by qualified personnel.
- These instructions may not cover all details or variations. If additional information is needed, please contact Visa Lighting.

Drawing: 760835XX

Rev: D

Sheet: 7 of 8

Eng: PAO

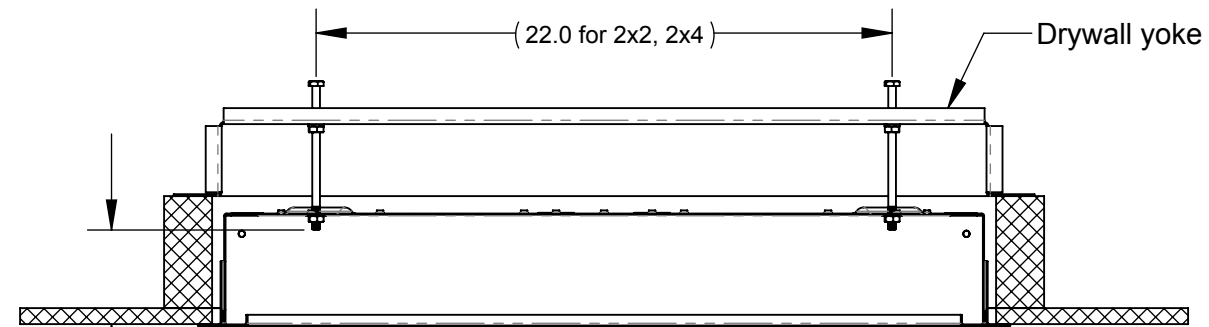
Date Drawn: 07/22/10

INSTALLATION INSTRUCTIONS

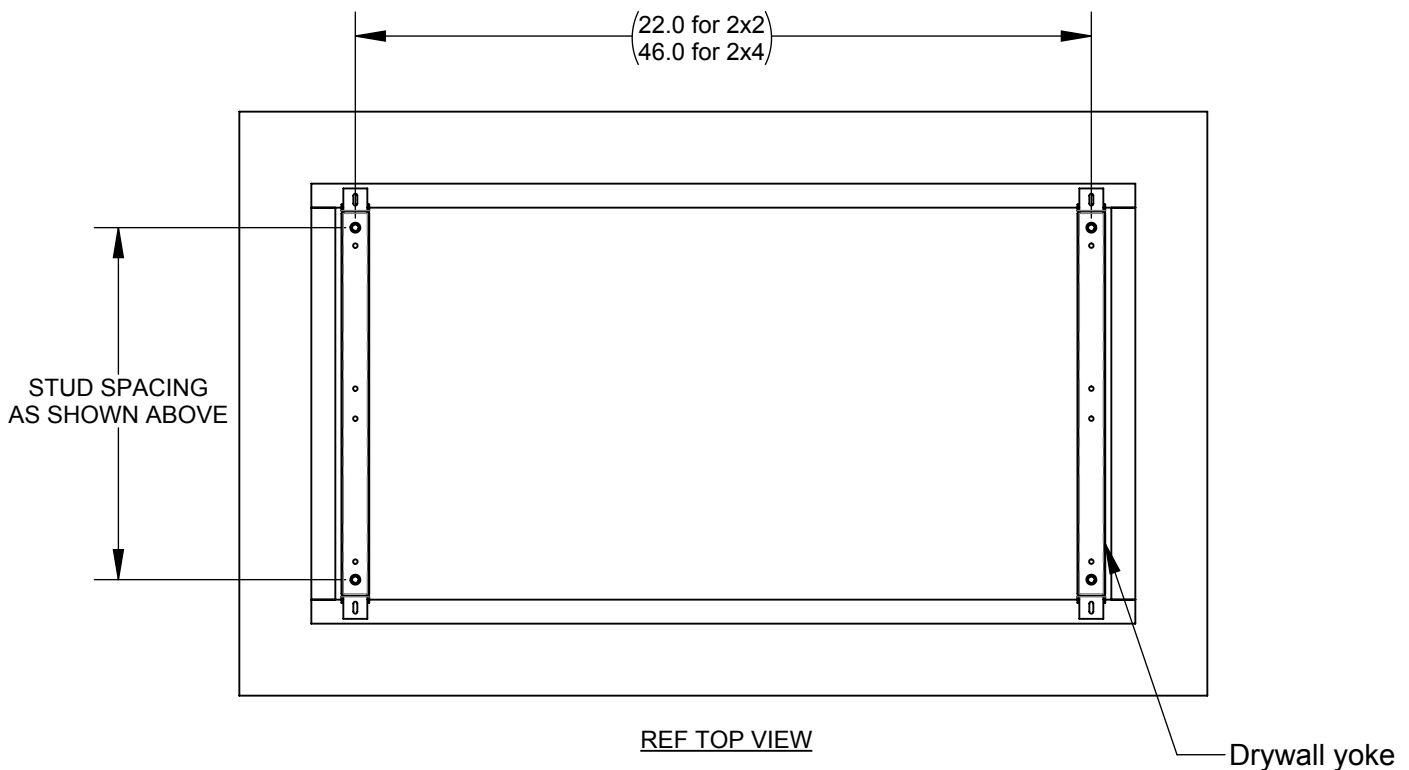


Model: **UNITY**
Fixture Family: **CEILING RECESSED MOUNT**
Document Description: Installation Instructions for
CM1900, CM1901, CM1906 Series Luminaires

1717 West Civic Drive Milwaukee, WI 53209
414-354-6600
Design Modification Rights Reserved
© Visa Lighting



REF FIXTURE WIDTH CROSS SECTION VIEW



REF TOP VIEW

1. Attach DRYWALL YOKES to structure around opening (match spacing to holes in housing).
2. Stud spacing as shown above for 9"x4, 2x2 and 2x4 fixtures.
3. Adjust stud length such that bottom of stud is approximately 2.9" from ceiling surface

Drawing: 760835XX

Rev: D

Sheet: 8 of 8

Eng: PAO

Date Drawn: 07/22/10



When using electrical equipment, basic safety precautions should always be followed, including the following:

- Read all instructions carefully before installing and save for future use.
- Make sure all connections are in accordance with the National Electrical Code and local regulations.
- To avoid possible electric shock, be sure the power supply is turned off before servicing or installing the fixture
- Service should be performed by qualified personnel.
- These instructions may not cover all details or variations. If additional information is needed, please contact Visa Lighting.