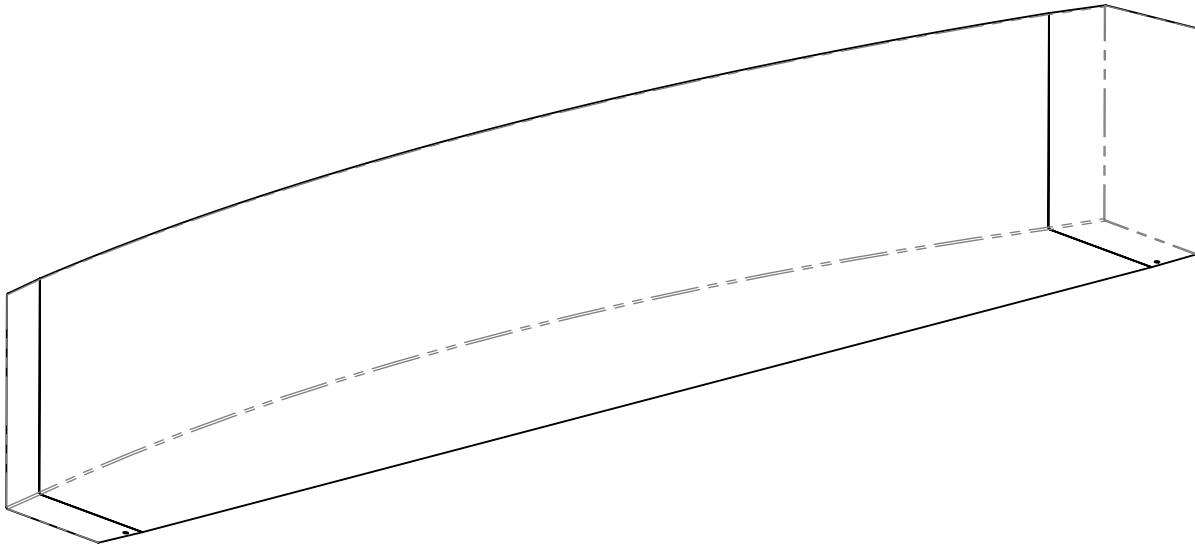


# INSTALLATION INSTRUCTIONS

Model: **CB1904**  
Fixture Family: **UNITY HEADWALL**  
Document Description: Field instructions for  
Unity Series Luminaires

 **VISA LIGHTING**  
AN OLDENBURG GROUP COMPANY  
1717 West Civic Drive Milwaukee, WI 53209  
414-354-6600  
Design Modification Rights Reserved  
© Visa Lighting



## UNITY LED HEADWALL

### CB1904

**PAGE 2: LED**

**PAGE 3 & 4: FLR**

Drawing: 760837XX

Rev: B

Sheet: 1 of 4

Eng: CLD

Date Drawn: 04/17/2012

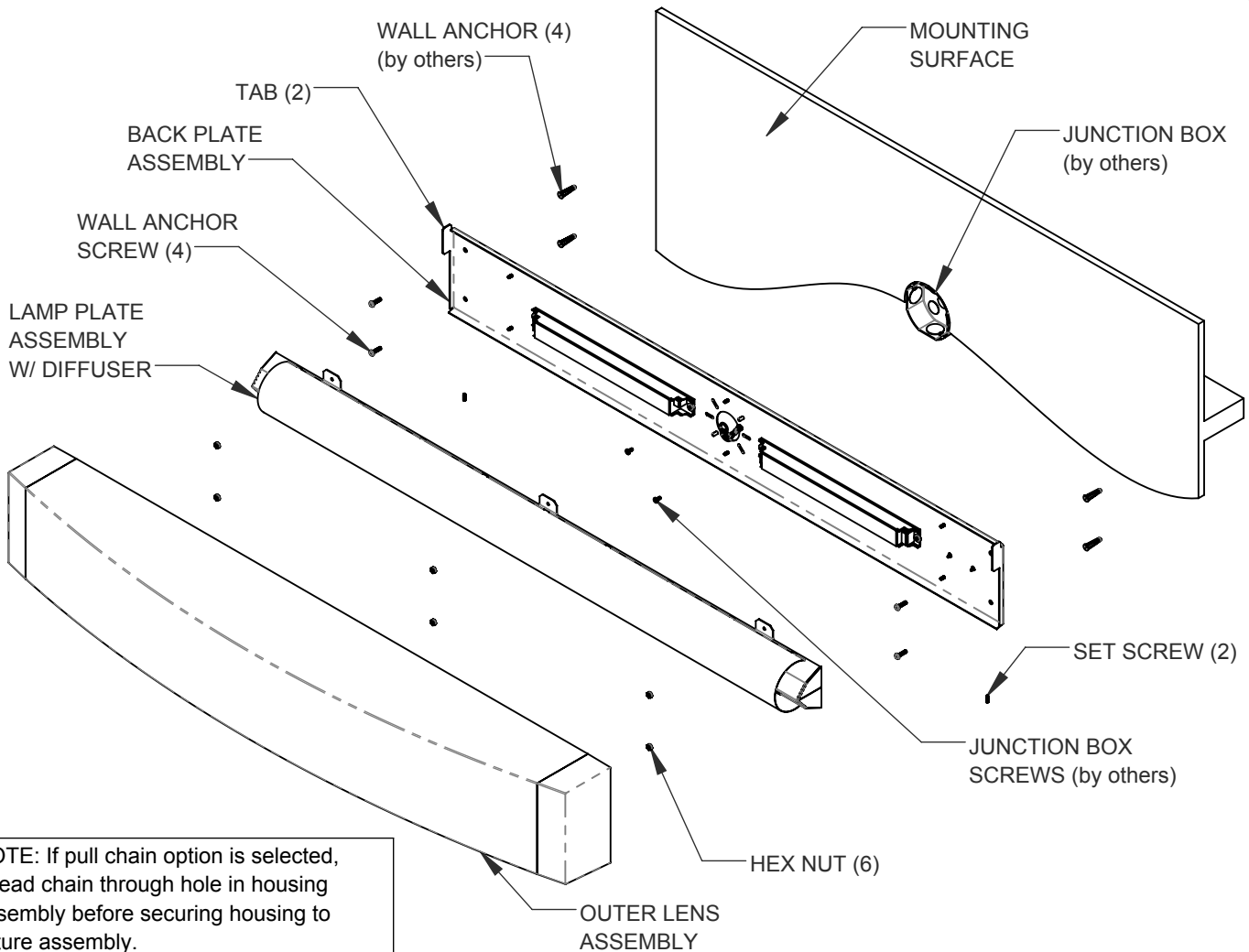
 When using electrical equipment, basic safety precautions should always be followed, including the following:

- Read all instructions carefully before installing and save for future use.
- Make sure all connections are in accordance with the National Electrical Code and local regulations.
- To avoid possible electric shock, be sure the power supply is turned off before servicing or installing the fixture.
- Service should be performed by qualified personnel.
- These instructions may not cover all details or variations. If additional information is needed, please contact Visa Lighting.

# INSTALLATION INSTRUCTIONS

Model: **CB1904**  
Fixture Family: **UNITY HEADWALL**  
Document Description: Field instructions for  
Unity Series Luminaires

**VISA LIGHTING**  
AN OLDENBURG GROUP COMPANY  
1717 West Civic Drive Milwaukee, WI 53209  
414-354-6600  
Design Modification Rights Reserved  
© Visa Lighting



NOTE: If pull chain option is selected, thread chain through hole in housing assembly before securing housing to fixture assembly.

1. Mount the back plate assembly to junction box (by others) with junction box screws.
2. Mark locations on mounting surface for wall anchors. Make sure plate is level. Remove mounting plate assembly from wall.
3. Drill (4) holes for the wall anchors and install where locations were marked with mounting screws.
4. Reinstall back plate assembly.
5. Make all electrical connections per national and local codes.
6. Install lamp plate, after making electrical connections, to back plate assembly. Secure down with hex nuts.
7. Install outer lens assembly by hooking lens assembly onto the tabs on the back plate assembly. Secure with set screws on bottom.

Drawing: 760837XX

Rev: B

Sheet: 2 of 4

Eng: CLD

Date Drawn: 04/17/2012



When using electrical equipment, basic safety precautions should always be followed, including the following:

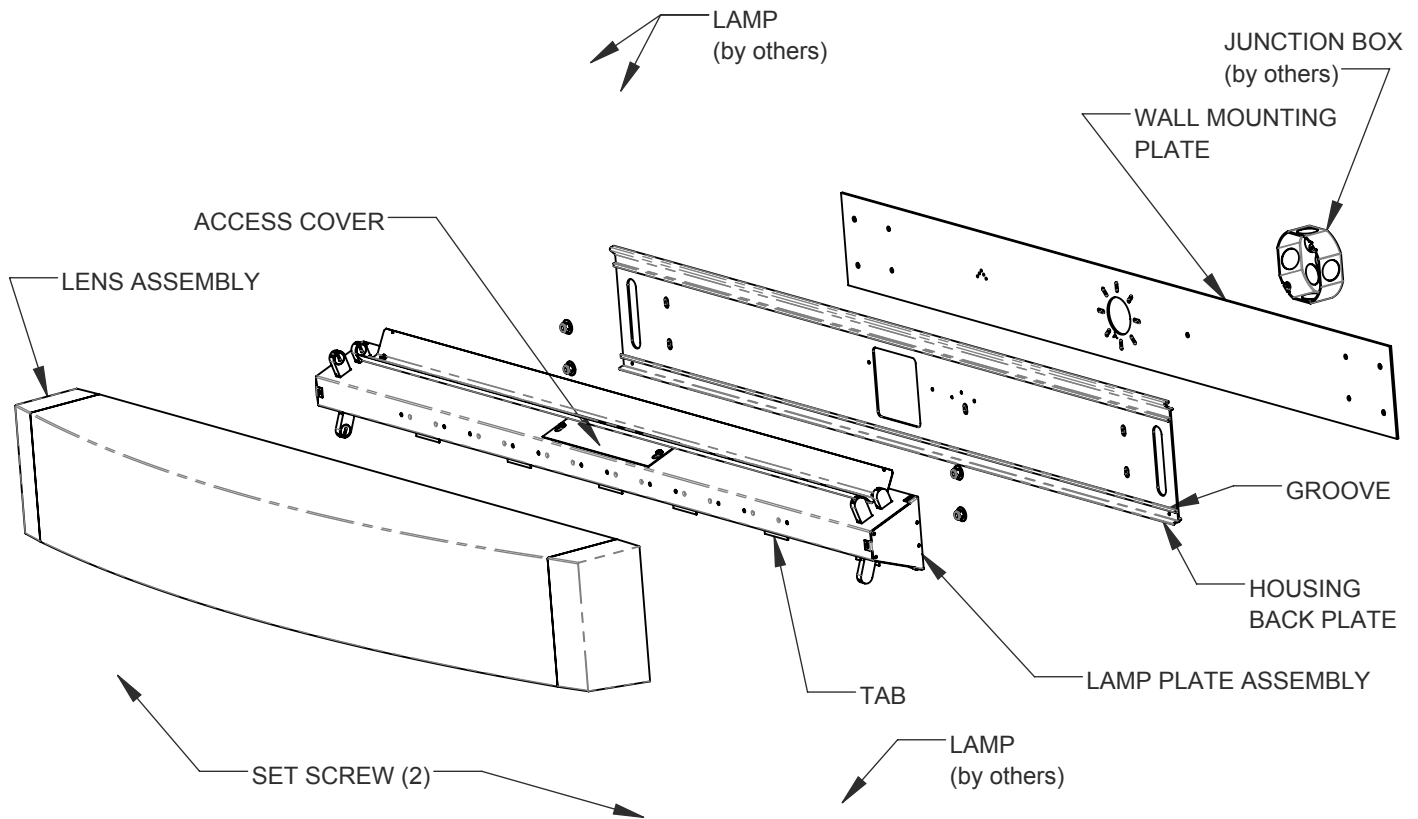
- Read all instructions carefully before installing and save for future use.
- Make sure all connections are in accordance with the National Electrical Code and local regulations.
- To avoid possible electric shock, be sure the power supply is turned off before servicing or installing the fixture.
- Service should be performed by qualified personnel.
- These instructions may not cover all details or variations. If additional information is needed, please contact Visa Lighting.

# INSTALLATION INSTRUCTIONS



Model: **CB1904**  
Fixture Family: **UNITY HEADWALL**  
Document Description: Field instructions for  
Unity Series Luminaires

1717 West Civic Drive Milwaukee, WI 53209  
414-354-6600  
Design Modification Rights Reserved  
© Visa Lighting



1. Remove lens assembly by loosening 2 set screws at the bottom of the endcaps. Lift up on the lens assembly and remove it from the fixture.
2. Remove 2 screws, one per side, securing safety cables to inside of endcaps.
3. Remove access cover from ballast channel by loosening 2 screws, and remove reflector by removing 2 screws to expose top retaining flanges of lamp plate assembly.
4. Remove lamp assembly from mounting plate by pushing up on the bottom flat side of the assembly so that the retaining flanges can be snapped out of the mounting plate ribs.
5. Install wall mounting plate to junction box (by others). Mark the locations for the wall anchors. Remove the wall mounting bracket.
6. Drill (4) holes for the wall anchors. Install wall anchors. Reinstall wall mounting plate.
7. Install housing back plate to the wall mounting plate and secure with provided hardware.
8. Make all electrical connections per national and local codes.
9. Reinstall lamp plate assembly, making sure tabs on lamp plate assembly lock into the groove on the housing back plate.
10. Install lamps (by others).
11. Reinstall lens assembly and secure with set screws provided.

When using electrical equipment, basic safety precautions should always be followed, including the following:

- Read all instructions carefully before installing and save for future use.
- Make sure all connections are in accordance with the National Electrical Code and local regulations.
- To avoid possible electric shock, be sure the power supply is turned off before servicing or installing the fixture.
- Service should be performed by qualified personnel.
- These instructions may not cover all details or variations. If additional information is needed, please contact Visa Lighting.

Drawing: 760837XX

Rev: B

Sheet: 3 of 4

Eng: CLD

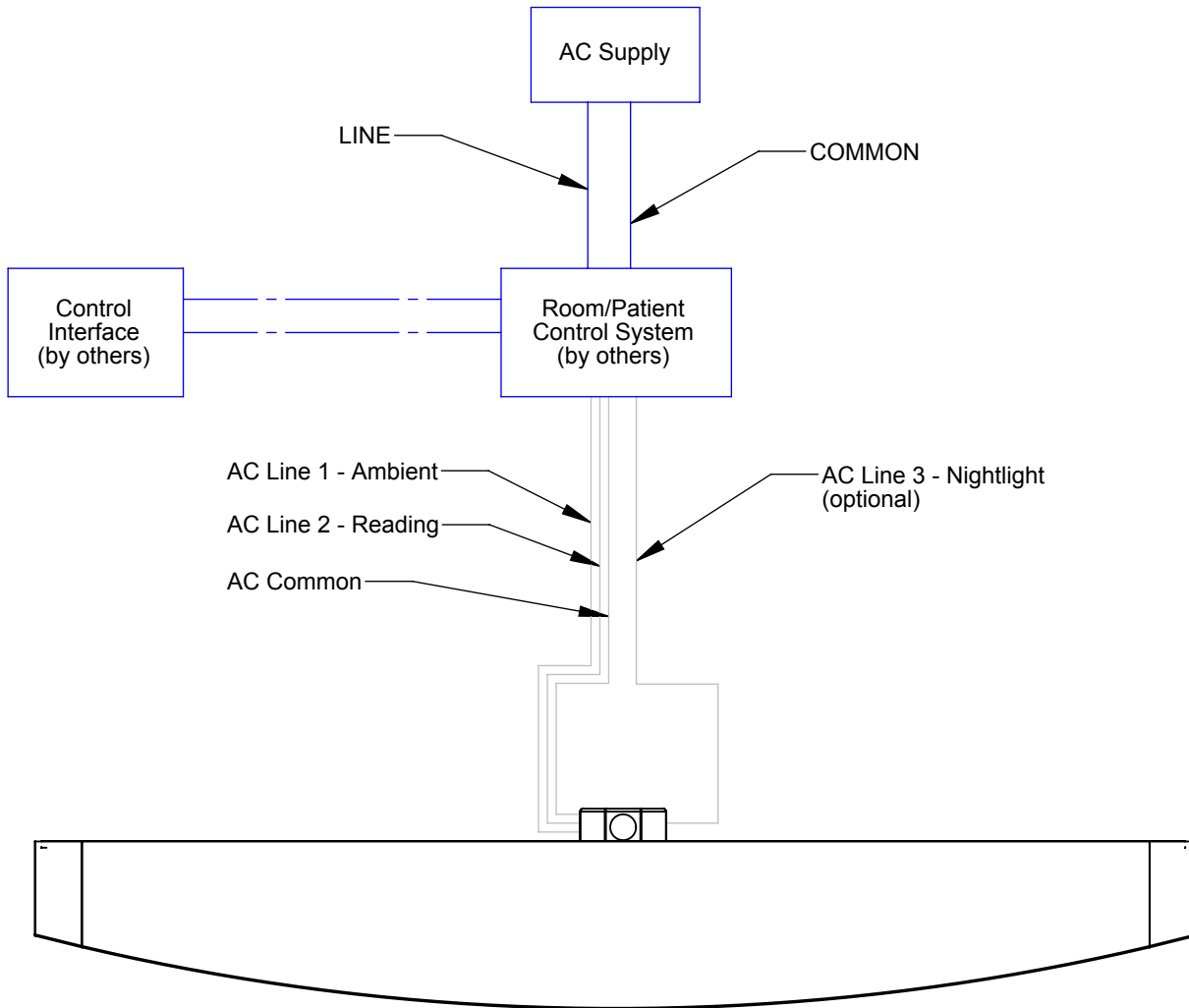
Date Drawn: 04/17/2012

# INSTALLATION INSTRUCTIONS

Model: **CB1904**  
Fixture Family: **UNITY HEADWALL**  
Document Description: Field instructions for  
Unity Series Luminaires

1717 West Civic Drive Milwaukee, WI 53209  
414-354-6600  
Design Modification Rights Reserved  
© Visa Lighting

## Wiring Connections



### Wiring Instructions

1. All connections to the fixture are at line voltage. Use of a separate control interface (by others) is required to control fixture by means other than line-voltage switches.
2. All AC inputs to fixture must be supplied from the same branch circuit.
3. Bonding wires attached to fixture wall mounting plate and ballast channel must both be connected to system ground.

When using electrical equipment, basic safety precautions should always be followed, including the following:

- Read all instructions carefully before installing and save for future use.
- Make sure all connections are in accordance with the National Electrical Code and local regulations.
- To avoid possible electric shock, be sure the power supply is turned off before servicing or installing the fixture.
- Service should be performed by qualified personnel.
- These instructions may not cover all details or variations. If additional information is needed, please contact Visa Lighting.