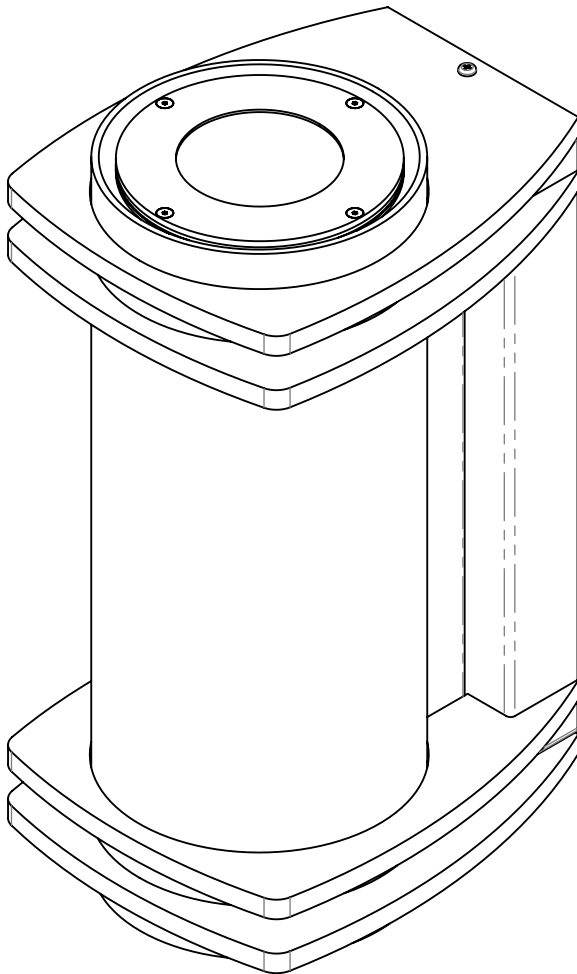


# INSTALLATION INSTRUCTIONS

**VISA LIGHTING**  
AN OLDENBURG GROUP COMPANY  
1717 West Civic Drive Milwaukee, WI 53209  
414-354-6600  
Design Modification Rights Reserved  
© Visa Lighting

Model: **OW2201, OW2203, OW2205, OW2207, OW2209, OW2211, OW2213**  
Fixture Family: **Pla**  
Document Description: Installation Instructions for  
Pla Series Luminaires



## Pla

**OW2201      OW2203**  
**OW2205      OW2207**  
**OW2209      OW2211**  
**OW2213**

Drawing: 760878XX

Rev: D

Sheet: 1 of 5

Eng: CGA

Date Drawn: 11/5/15

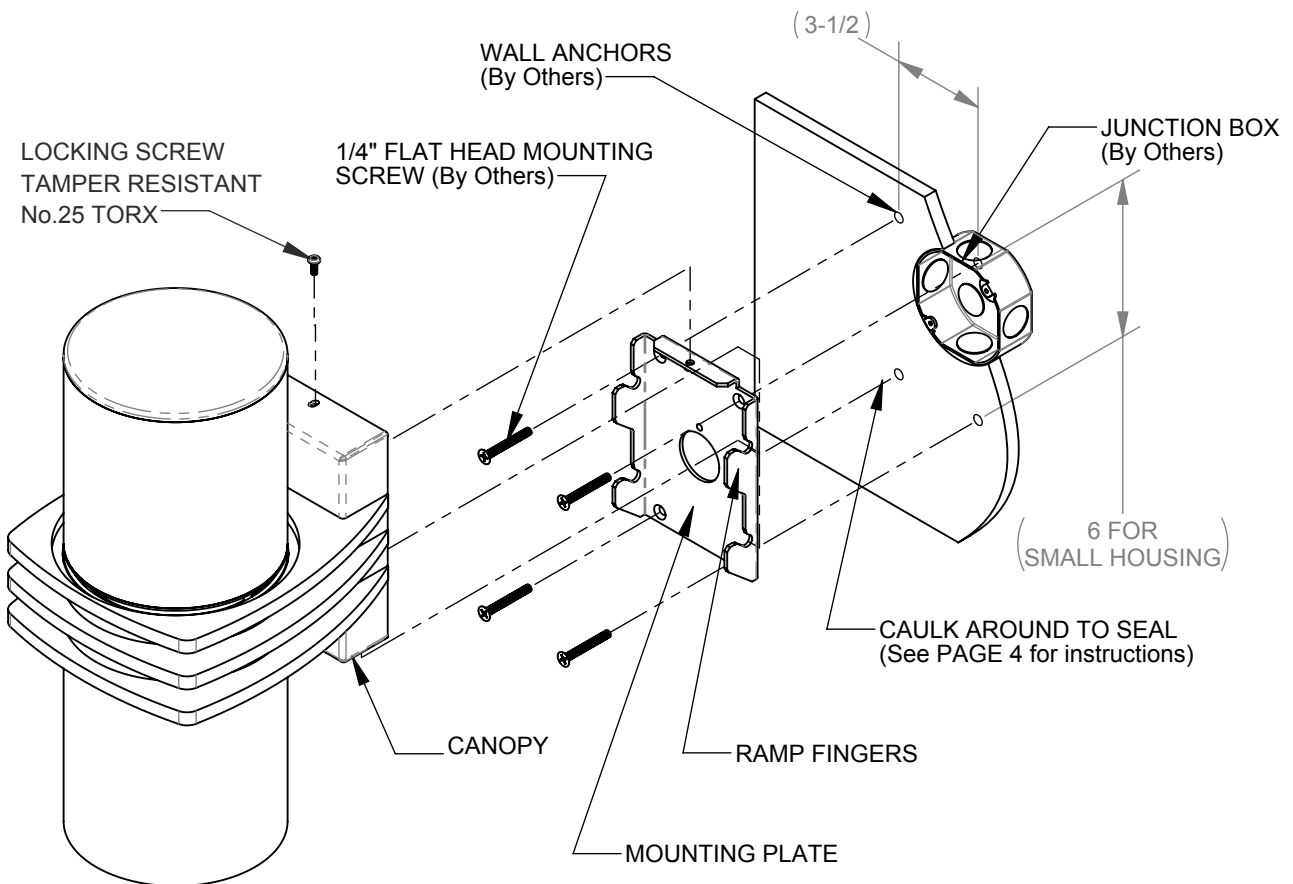
**!** When using electrical equipment, basic safety precautions should always be followed, including the following:

- Read all instructions carefully before installing and save for future use.
- Make sure all connections are in accordance with the National Electrical Code and local regulations.
- To avoid possible electric shock, be sure the power supply is turned off before servicing or installing the fixture.
- Service should be performed by qualified personnel.
- These instructions may not cover all details or variations. If additional information is needed, please contact Visa Lighting.

# INSTALLATION INSTRUCTIONS

Model: **OW2201, OW2203, OW2205, OW2207, OW2209, OW2211, OW2213**  
Fixture Family: **Pla**  
Document Description: Installation Instructions for  
Pla Series Luminaires

1717 West Civic Drive Milwaukee, WI 53209  
414-354-6600  
Design Modification Rights Reserved  
© Visa Lighting



Drawing: 760878XX

Rev: D

Sheet: 2 of 5

Eng: CGA

Date Drawn: 11/5/15

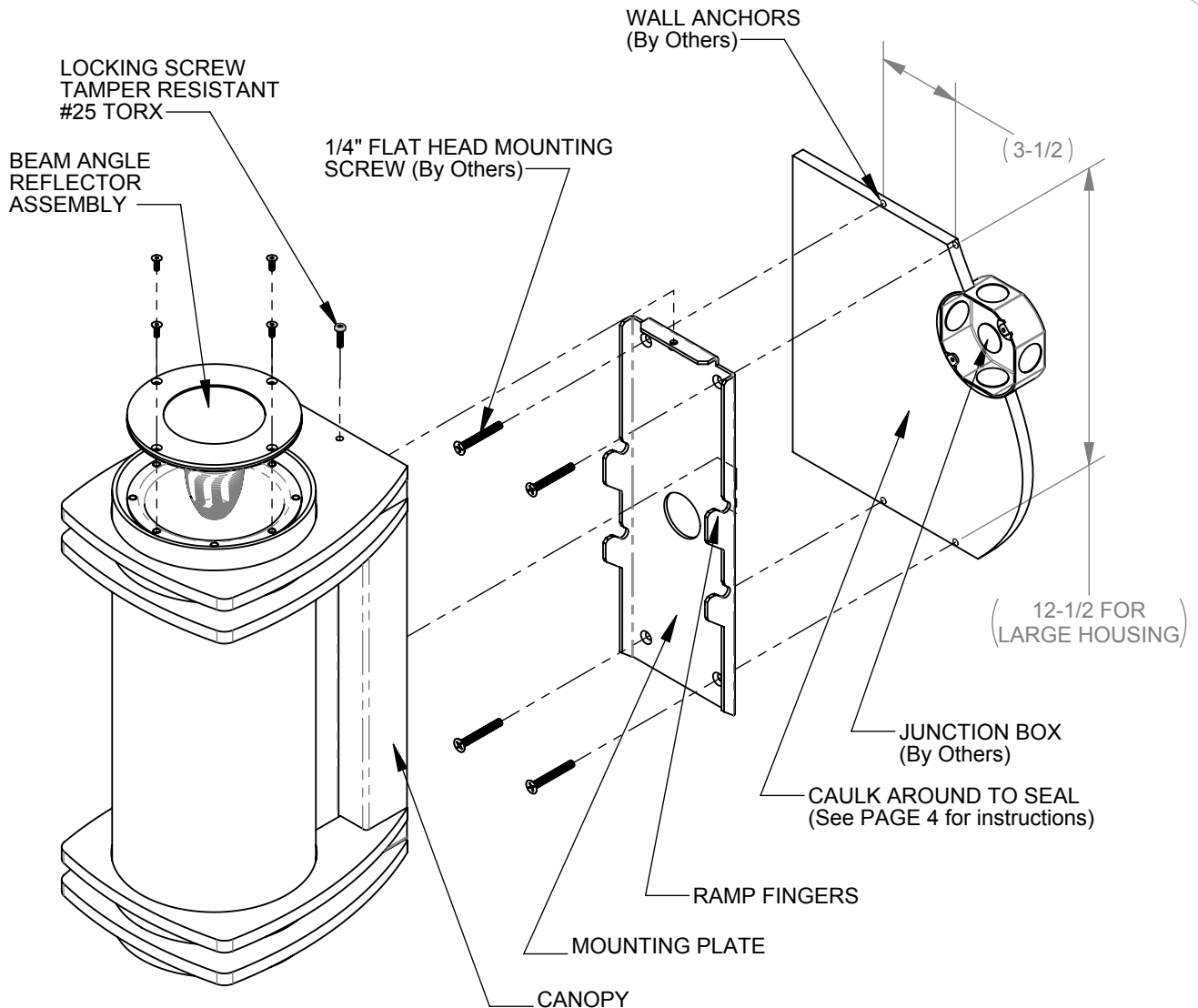
1. Locate and install mounting screw anchors (by others).
2. Caulk completely around junction box to seal mounting plate to wall.
3. Install mounting plate with screws (by others). Note: mounting screws must be flat head and sized properly to fit countersink holes and must not protrude past face of mounting bracket.
4. Make proper wire connections according to standards.
5. Install fixture onto mounting bracket with ramp fingers on mounting plate.
6. Push down and against mounting surface, making sure no wires are being pinched and no wires are between the gasket and mounting plate in the process.
7. Secure in place with locking screw.

When using electrical equipment, basic safety precautions should always be followed, including the following:

- Read all instructions carefully before installing and save for future use.
- Make sure all connections are in accordance with the National Electrical Code and local regulations.
- To avoid possible electric shock, be sure the power supply is turned off before servicing or installing the fixture.
- Service should be performed by qualified personnel.
- These instructions may not cover all details or variations. If additional information is needed, please contact Visa Lighting.

# INSTALLATION INSTRUCTIONS

Model: **OW2201, OW2203, OW2205, OW2207, OW2209, OW2211, OW2213**  
Fixture Family: **Pla**  
Document Description: Installation Instructions for  
Pla Series Luminaires



1. Locate and install mounting screw anchors (by others).
2. Caulk completely around junction box to seal mounting plate to wall. (See page 4)
3. Install mounting plate with screws (by others). Note: mounting screws must be flat head and sized properly to fit countersink holes and must not protrude past face of mounting bracket.
4. Make proper wire connections according to standards.
5. Install fixture onto mounting bracket with ramp fingers on mounting plate.
6. Push down and against mounting surface, making sure no wires are being pinched and no wires are between the gasket and mounting plate in the process.
7. To change beam angles, remove beam angle reflector assembly and replace with desired beam angle reflector assembly.

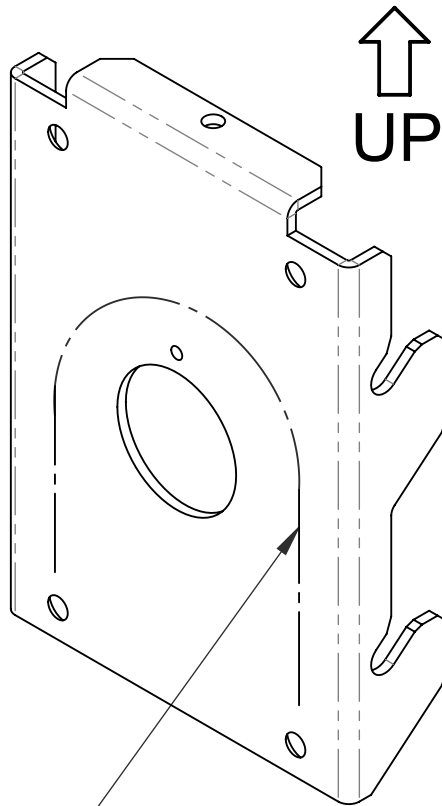
When using electrical equipment, basic safety precautions should always be followed, including the following:

- Read all instructions carefully before installing and save for future use.
- Make sure all connections are in accordance with the National Electrical Code and local regulations.
- To avoid possible electric shock, be sure the power supply is turned off before servicing or installing the fixture.
- Service should be performed by qualified personnel.
- These instructions may not cover all details or variations. If additional information is needed, please contact Visa Lighting.

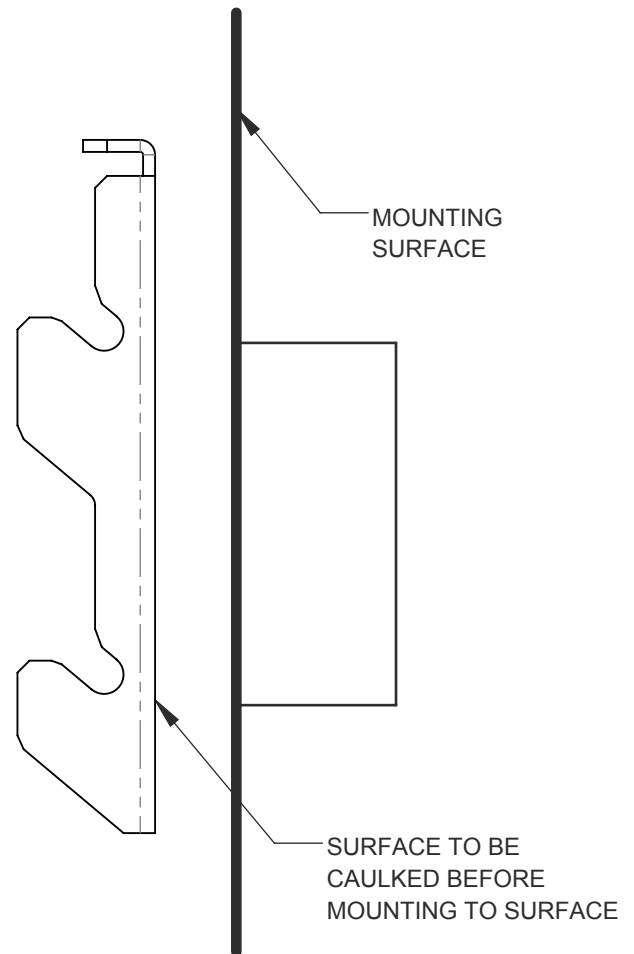
# INSTALLATION INSTRUCTIONS

Model: **OW2201, OW2203, OW2205, OW2207, OW2209, OW2211, OW2213**  
Fixture Family: **Pla**  
Document Description: Installation Instructions for  
Pla Series Luminaires

1717 West Civic Drive Milwaukee, WI 53209  
414-354-6600  
Design Modification Rights Reserved  
© Visa Lighting



DASHED LINE REPRESENTS WHERE CAULKING SHOULD BE PLACED, ON MOUNTING SURFACE (WALL SIDE) OF MOUNTING PLATE, BEFORE ATTACHING MOUNTING PLATE TO SURFACE



## NOTES:

1. CAULK AROUND JUNCTION BOX (DASHED LINE)
2. CLEAN UP ANY EXCESS CAULK THAT HAS BEEN SQUEEZED OUT AFTER INSTALLING MOUNTING PLATE, TO ENSURE PROPER FIT WHEN FIXTURE IS INSTALLED TO MOUNTING PLATE. THIS COULD CAUSE AN ISSUE WHEN INSTALLING FIXTURE IF NOT REMOVED.

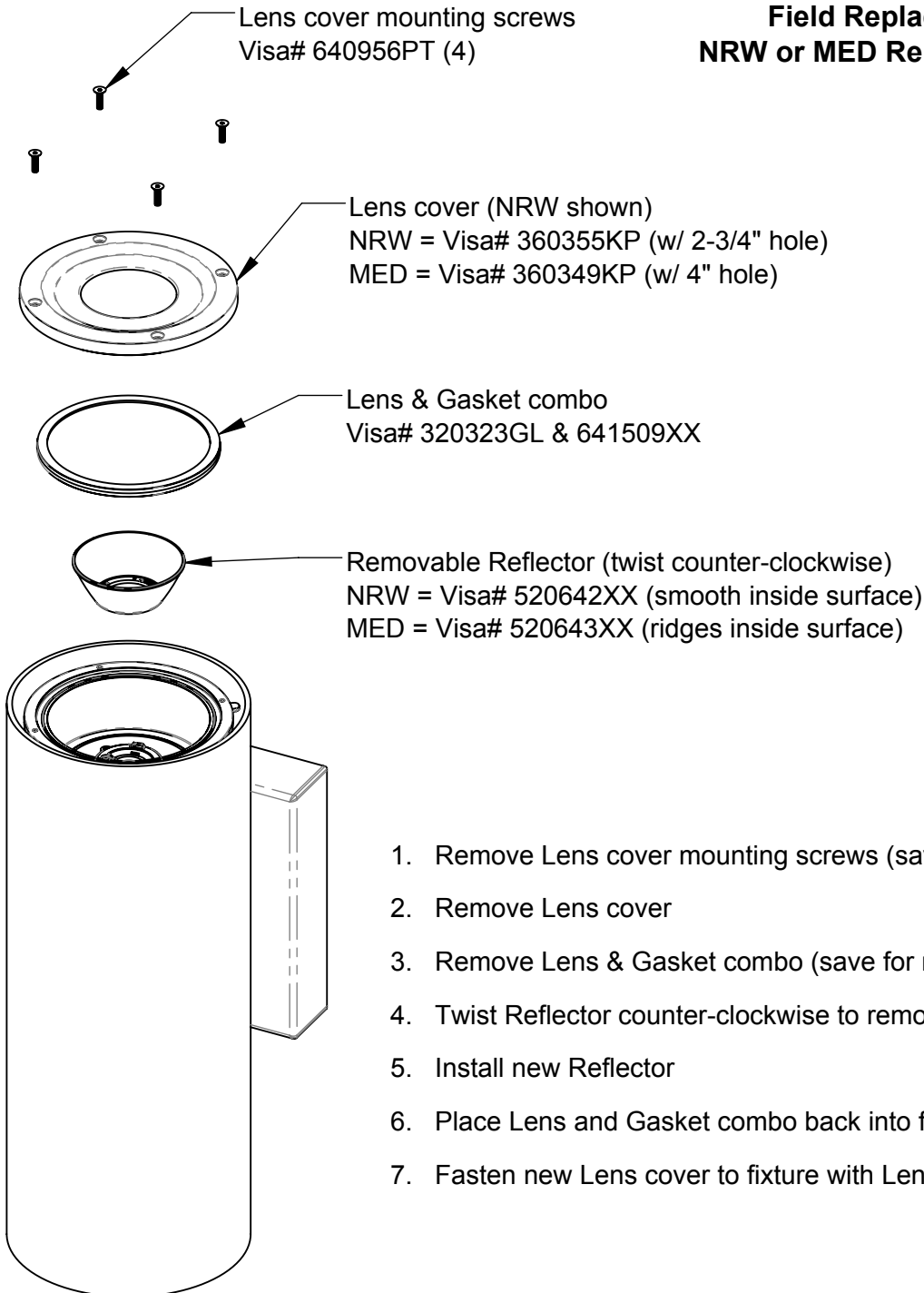
When using electrical equipment, basic safety precautions should always be followed, including the following:

- Read all instructions carefully before installing and save for future use.
- Make sure all connections are in accordance with the National Electrical Code and local regulations.
- To avoid possible electric shock, be sure the power supply is turned off before servicing or installing the fixture.
- Service should be performed by qualified personnel.
- These instructions may not cover all details or variations. If additional information is needed, please contact Visa Lighting.

# INSTALLATION INSTRUCTIONS

Model: **OW2201, OW2203, OW2205, OW2207, OW2209, OW2211, OW2213**  
Fixture Family: **Pla**  
Document Description: Installation Instructions for  
Pla Series Luminaires

## Field Replacement of NRW or MED Reflector Systems



1. Remove Lens cover mounting screws (save for reuse)
2. Remove Lens cover
3. Remove Lens & Gasket combo (save for reuse)
4. Twist Reflector counter-clockwise to remove
5. Install new Reflector
6. Place Lens and Gasket combo back into fixture
7. Fasten new Lens cover to fixture with Lens cover mounting screws

When using electrical equipment, basic safety precautions should always be followed, including the following:

- Read all instructions carefully before installing and save for future use.
- Make sure all connections are in accordance with the National Electrical Code and local regulations.
- To avoid possible electric shock, be sure the power supply is turned off before servicing or installing the fixture
- Service should be performed by qualified personnel.
- These instructions may not cover all details or variations. If additional information is needed, please contact Visa Lighting.