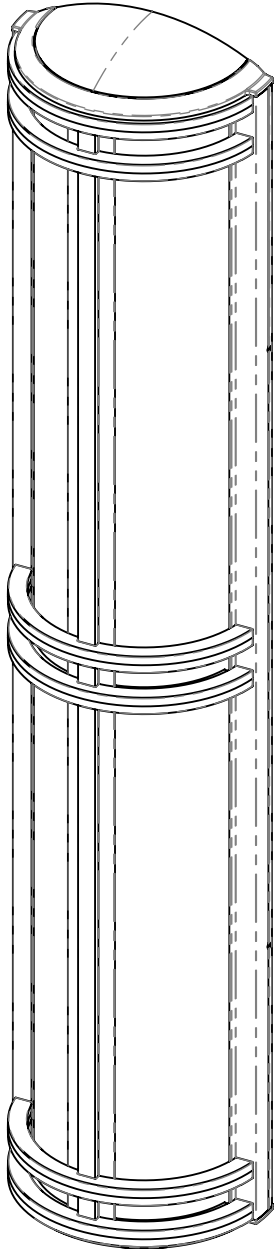


# INSTALLATION INSTRUCTIONS

Model: **OW1291-1337**  
Fixture Family: **AVATAR and IMAGE**  
Document Description: Installation Instructions for  
AVATAR and IMAGE Series Luminaires

**VISA LIGHTING**  
AN OLDENBURG GROUP COMPANY  
1717 West Civic Drive Milwaukee, WI 53209  
414-354-6600  
Design Modification Rights Reserved  
© Visa Lighting



## IMAGE

**OW1291 OW1293 OW1295 OW1297**

## AVATAR

**OW1301 OW1303 OW1305 OW1307**  
**OW1311 OW1313 OW1315 OW1317**  
**OW1331 OW1333 OW1335 OW1337**

**SHEET 2: VERTICAL INSTALLATION**

**SHEET 3: HORIZONTAL INSTALLATION**

Drawing: 760883XX

Rev: A

Sheet: 1 of 5

Eng: CGA

Date Drawn: 11/8/16

**!** When using electrical equipment, basic safety precautions should always be followed, including the following:

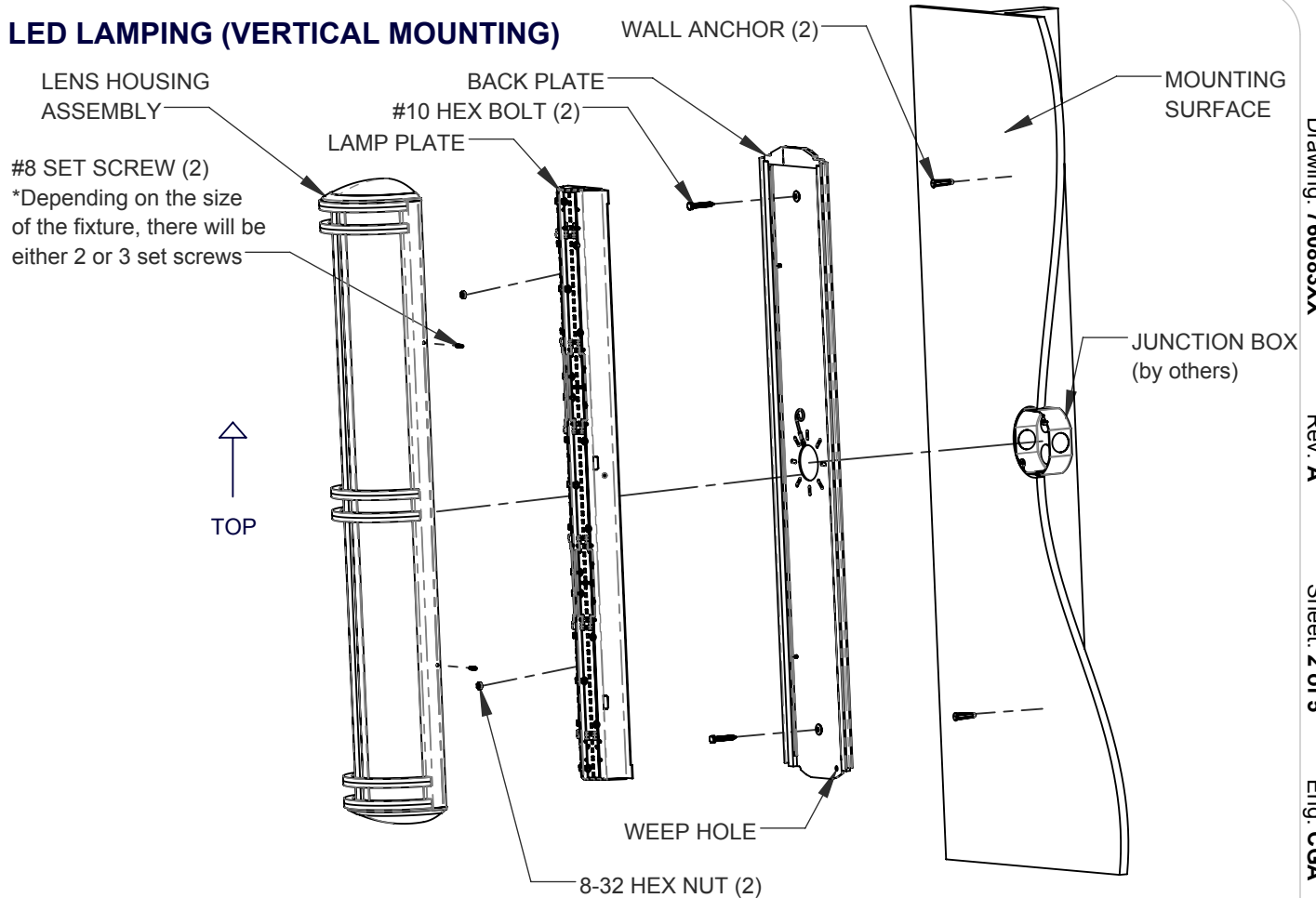
- Read all instructions carefully before installing and save for future use.
- Make sure all connections are in accordance with the National Electrical Code and local regulations.
- To avoid possible electric shock, be sure the power supply is turned off before servicing or installing the fixture.
- Service should be performed by qualified personnel.
- These instructions may not cover all details or variations. If additional information is needed, please contact Visa Lighting.

# INSTALLATION INSTRUCTIONS

Model: **OW1291-1337**  
Fixture Family: **AVATAR and IMAGE**  
Document Description: Installation Instructions for  
AVATAR and IMAGE Series Luminaires

**VISA LIGHTING**  
AN OLDENBURG GROUP COMPANY  
1717 West Civic Drive Milwaukee, WI 53209  
414-354-6600  
Design Modification Rights Reserved  
© Visa Lighting

## LED LAMPING (VERTICAL MOUNTING)



1. Open fixture by loosening set screws on latch side of housing front. Remove backplate from housing front.
2. Remove mounting nuts and lamping from backplate.
3. Mark the locations for the wall anchors. It is helpful to place the backplate over the junction box and mark the locations through the holes. For correct orientation the weep hole should be at the bottom of the fixture.  
Note: 18" version does not use wall anchors.
4. Drill 5/16" diameter holes at the marked locations and install the wall anchors.
5. Water seal the backplate to the mounting surface by using caulk in a circle around the mounting hole pattern.
6. Level and attach the backplate to the junction box with j-box screws and to the wall with mounting plate. Use sealing washers as indicated. Be sure weep hole is oriented down. Be sure backplate is straight and not bowed when tightening mounting screw.
7. Make all appropriate wire connections.
8. Reattach lamping compartment to the backplate.
9. Hook the housing front hinge side on to the hinge side of the backplate; this is best achieved by doing so at a 15 degree angle. While pushing housing front closed tightly, tighten set screws. Ensure that the 'TOP' arrow is pointing up as shown.
10. See page 5 for instructions on steps 8 and 9.

When using electrical equipment, basic safety precautions should always be followed, including the following:

- Read all instructions carefully before installing and save for future use.
- Make sure all connections are in accordance with the National Electrical Code and local regulations.
- To avoid possible electric shock, be sure the power supply is turned off before servicing or installing the fixture.
- Service should be performed by qualified personnel.
- These instructions may not cover all details or variations. If additional information is needed, please contact Visa Lighting.

Drawing: 760883XX

Rev: A

Sheet: 2 of 5

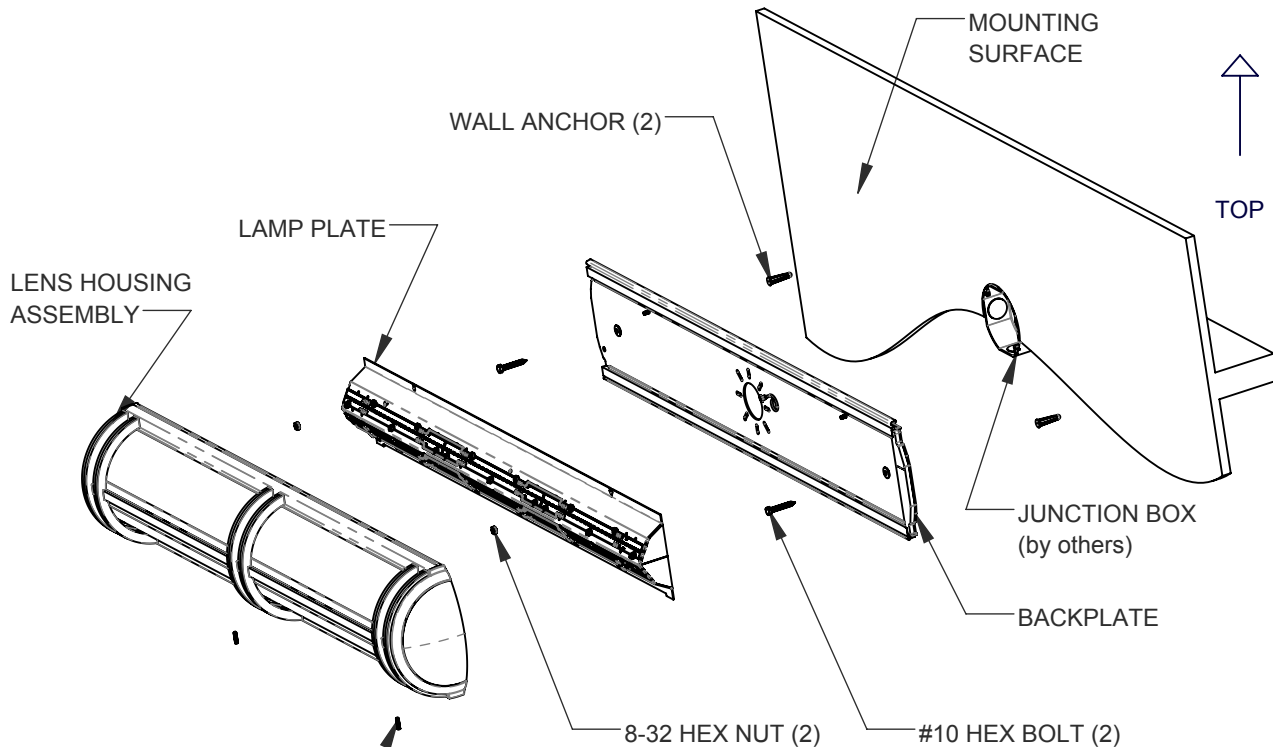
Eng: CGA

Date Drawn: 11/8/16

# INSTALLATION INSTRUCTIONS

Model: **OW1291-1337**  
Fixture Family: **AVATAR and IMAGE**  
Document Description: Installation Instructions for  
AVATAR and IMAGE Series Luminaires

## LED LAMPING (HORIZONTAL MOUNTING)



#8 SET SCREW (2)  
\*Depending on the size  
of the fixture, there will be  
either 2 or 3 set screws

1. Open fixture by loosening set screws on latch side of housing front. Remove backplate from housing front.
2. Remove mounting nuts and lamping from backplate.
3. Mark the locations for the wall anchors. It is helpful to place the backplate over the junction box and mark the locations through the holes. For correct orientation the weep hole should be at the bottom of the fixture.  
Note: 18" version does not use wall anchors.
4. Drill 5/16" diameter holes at the marked locations and install the wall anchors.
5. Water seal the backplate to the mounting surface by using caulk in a circle around the mounting hole pattern. See page 4 for caulking detail.
6. Level and attach the backplate to the junction box with j-box screws and to the wall with mounting plate. Use sealing washers as indicated. Be sure weep hole is oriented down. Be sure backplate is straight and not bowed when tightening mounting screw.
7. Make all appropriate wire connections.
8. Reattach lamping compartment to the backplate.
9. Hook the housing front hinge side on to the hinge side of the backplate; this is best achieved by doing so at a 15 degree angle. While pushing housing front closed tightly, tighten set screws. Ensure that the 'TOP' arrow is pointing up as shown.
10. See page 5 for instructions on steps 8 and 9.

When using electrical equipment, basic safety precautions should always be followed, including the following:

- Read all instructions carefully before installing and save for future use.
- Make sure all connections are in accordance with the National Electrical Code and local regulations.
- To avoid possible electric shock, be sure the power supply is turned off before servicing or installing the fixture.
- Service should be performed by qualified personnel.
- These instructions may not cover all details or variations. If additional information is needed, please contact Visa Lighting.

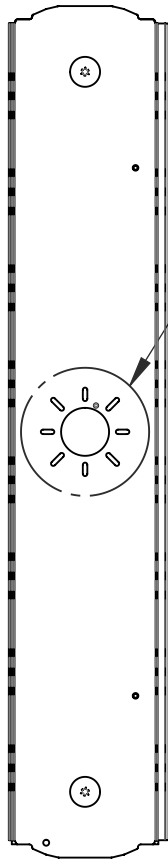
# INSTALLATION INSTRUCTIONS

Model: **OW1291-1337**  
Fixture Family: **AVATAR and IMAGE**  
Document Description: Installation Instructions for  
AVATAR and IMAGE Series Luminaires

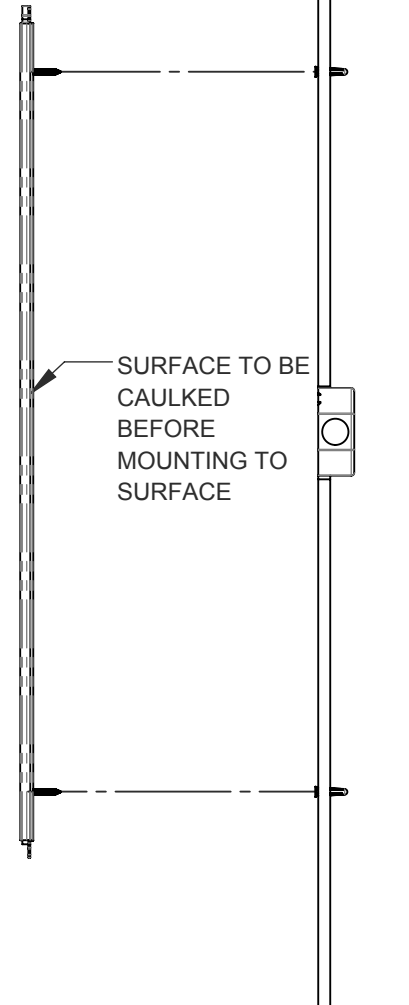
**VISA LIGHTING**  
AN OLDENBURG GROUP COMPANY  
1717 West Civic Drive Milwaukee, WI 53209  
414-354-6600  
Design Modification Rights Reserved  
© Visa Lighting

## CAULKING INSTRUCTIONS

DASHED LINE REPRESENTS WHERE CAULKING SHOULD BE PLACED, ON MOUNTING SURFACE (WALL SIDE) OF MOUNTING PLATE, BEFORE ATTACHING MOUNTING PLATE TO SURFACE



MOUNTING SURFACE



SURFACE TO BE CAULKED BEFORE MOUNTING TO SURFACE

### NOTES:

1. CAULK AROUND JUNCTION BOX (DASHED LINE)
2. CLEAN UP ANY EXCESS CAULK THAT HAS BEEN SQUEEZED OUT AFTER INSTALLING MOUNTING PLATE, TO ENSURE PROPER FIT WHEN FIXTURE IS INSTALLED TO MOUNTING PLATE. THIS COULD CAUSE AN ISSUE WHEN INSTALLING FIXTURE IF NOT REMOVED.

Drawing: 760883XX

Rev: A

Sheet: 4 of 5

Eng: CGA

Date Drawn: 11/8/16

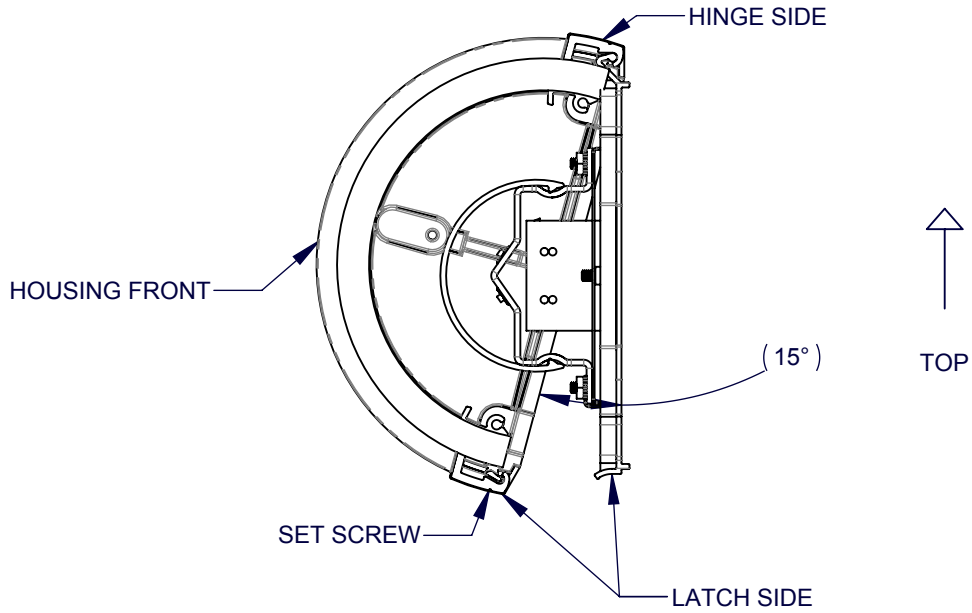
When using electrical equipment, basic safety precautions should always be followed, including the following:

- Read all instructions carefully before installing and save for future use.
- Make sure all connections are in accordance with the National Electrical Code and local regulations.
- To avoid possible electric shock, be sure the power supply is turned off before servicing or installing the fixture.
- Service should be performed by qualified personnel.
- These instructions may not cover all details or variations. If additional information is needed, please contact Visa Lighting.

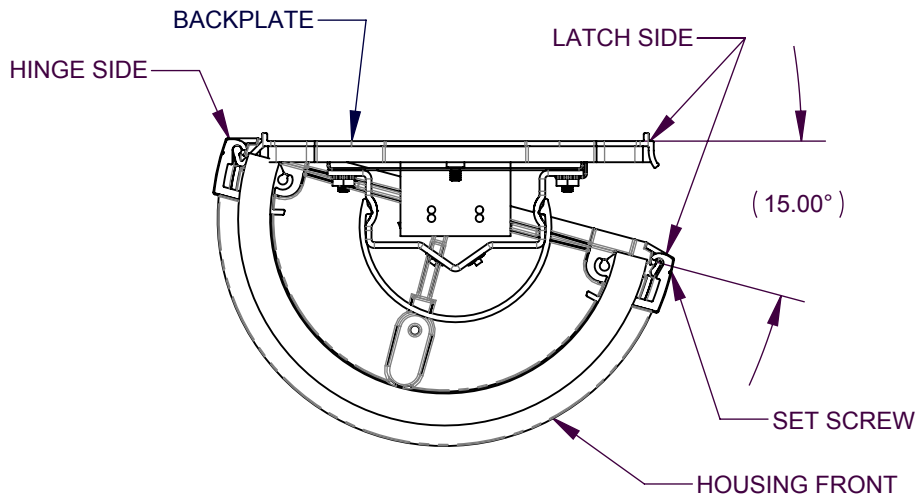
# INSTALLATION INSTRUCTIONS

Model: **OW1291-1337**  
Fixture Family: **AVATAR and IMAGE**  
Document Description: Installation Instructions for  
AVATAR and IMAGE Series Luminaires

**VISA LIGHTING**  
AN OLDENBURG GROUP COMPANY  
1717 West Civic Drive Milwaukee, WI 53209  
414-354-6600  
Design Modification Rights Reserved  
© Visa Lighting



## HORIZONTAL MOUNTING



## VERTICAL MOUNTING

\*VIEW IS LOOKING DOWN FROM THE TOP

Drawing: 760883XX

Rev: A

Sheet: 5 of 5

Eng: CGA

Date Drawn: 11/8/16

- When using electrical equipment, basic safety precautions should always be followed, including the following:
  - Read all instructions carefully before installing and save for future use.
  - Make sure all connections are in accordance with the National Electrical Code and local regulations.
  - To avoid possible electric shock, be sure the power supply is turned off before servicing or installing the fixture.
  - Service should be performed by qualified personnel.
  - These instructions may not cover all details or variations. If additional information is needed, please contact Visa Lighting.