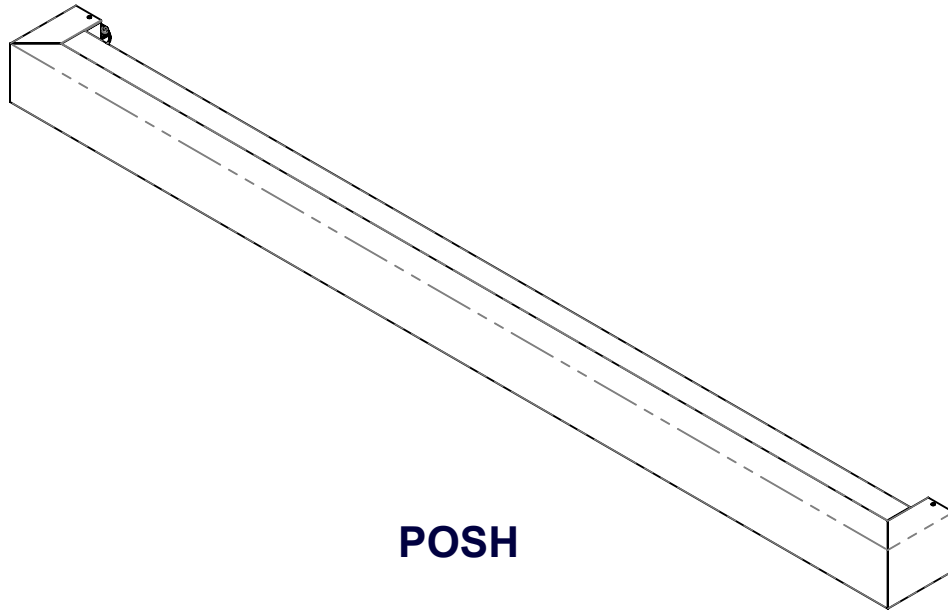


# INSTALLATION INSTRUCTIONS

Model: **CB5518, CB5519, CB5520, CB5521, CB5522, CB5523**  
Fixture Family: **POSH**  
Document Description: Installation Instructions for  
Posh Series Luminaires

 **VISA LIGHTING**  
1717 West Civic Drive Milwaukee, WI 53209  
414-354-6600  
Design Modification Rights Reserved  
© Visa Lighting



**POSH**

**CB5518**  
**CB5519**  
**CB5520**  
**CB5521**  
**CB5522**  
**CB5523**

**SHEET 2: STANDARD INSTALL**

**SHEET 3: INSTALL WITH SPACER BLOCK**

**SHEET 4: INSTALL WITH JBOX COVER**

**SHEET 5: INSTALL WITH JBOX COVER AND SPACER BLOCK**

Drawing: **760963XX**

Rev: **C**

Sheet: **1 of 5**

Eng: **MAR**

Date Drawn: **1/4/13**



When using electrical equipment, basic safety precautions should always be followed, including the following:

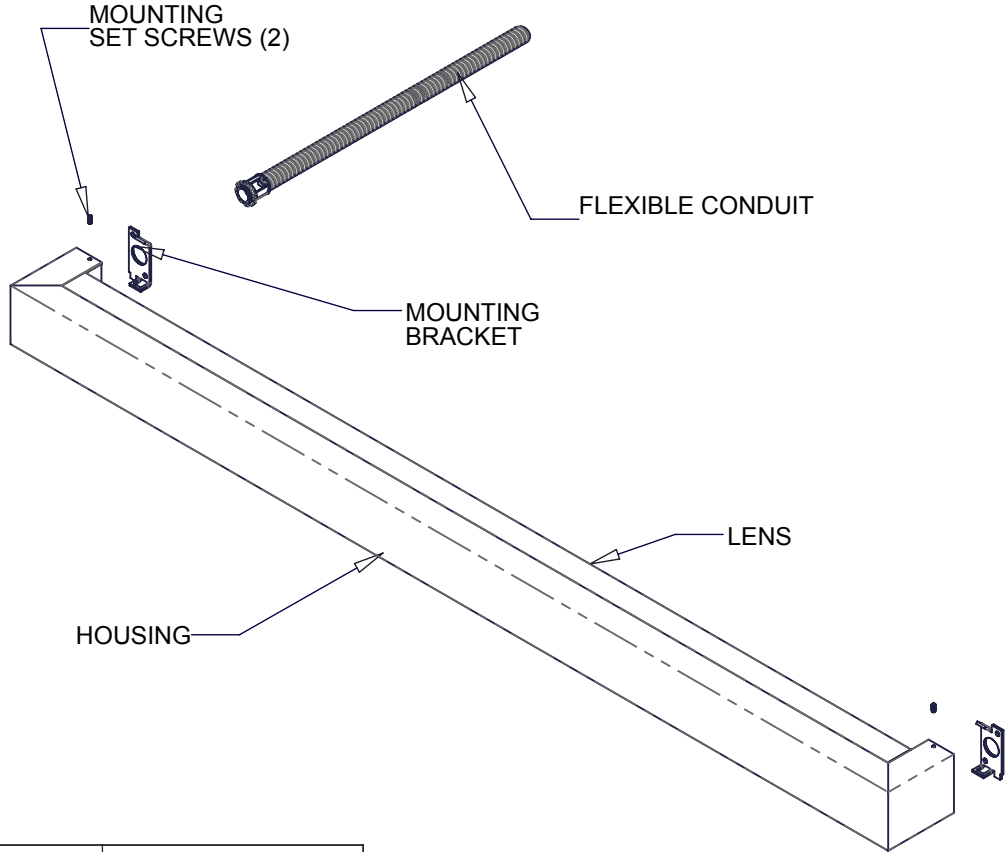
- Read all instructions carefully before installing and save for future use.
- Make sure all connections are in accordance with the National Electrical Code and local regulations.
- To avoid possible electric shock, be sure the power supply is turned off before servicing or installing the fixture.
- Service should be performed by qualified personnel.
- These instructions may not cover all details or variations. If additional information is needed, please contact Visa Lighting.

# INSTALLATION INSTRUCTIONS

Model: **CB5518, CB5519, CB5520, CB5521, CB5522, CB5523**  
 Fixture Family: **POSH**  
 Document Description: Installation Instructions for  
 Posh Series Luminaires

**VISA LIGHTING**  
 1717 West Civic Drive Milwaukee, WI 53209  
 414-354-6600  
 Design Modification Rights Reserved  
 © Visa Lighting

## STANDARD INSTALL



FIXTURE NUMBER	MOUNTING CENTER
CB5518	26-1/32"
CB5520	38-1/32"
CB5522	50-1/32"

\*NOTE: FIXTURE DEPTH OFF WALL = 4"

1. Secure mounting brackets to wall or junction box (JBC option) at mounting center locations, shown on table with hardware (by others). The mounting may be different than what is shown above, depending on which fixture/option is ordered.
2. Make wire connections. If mounted directly to the wall, connections should be made in the fixture ends, otherwise make connections in the junction box (JBC option).
3. Slide fixture over mounting plates and tighten mounting set screws.

**!** When using electrical equipment, basic safety precautions should always be followed, including the following:

- Read all instructions carefully before installing and save for future use.
- Make sure all connections are in accordance with the National Electrical Code and local regulations.
- To avoid possible electric shock, be sure the power supply is turned off before servicing or installing the fixture.
- Service should be performed by qualified personnel.
- These instructions may not cover all details or variations. If additional information is needed, please contact Visa Lighting.

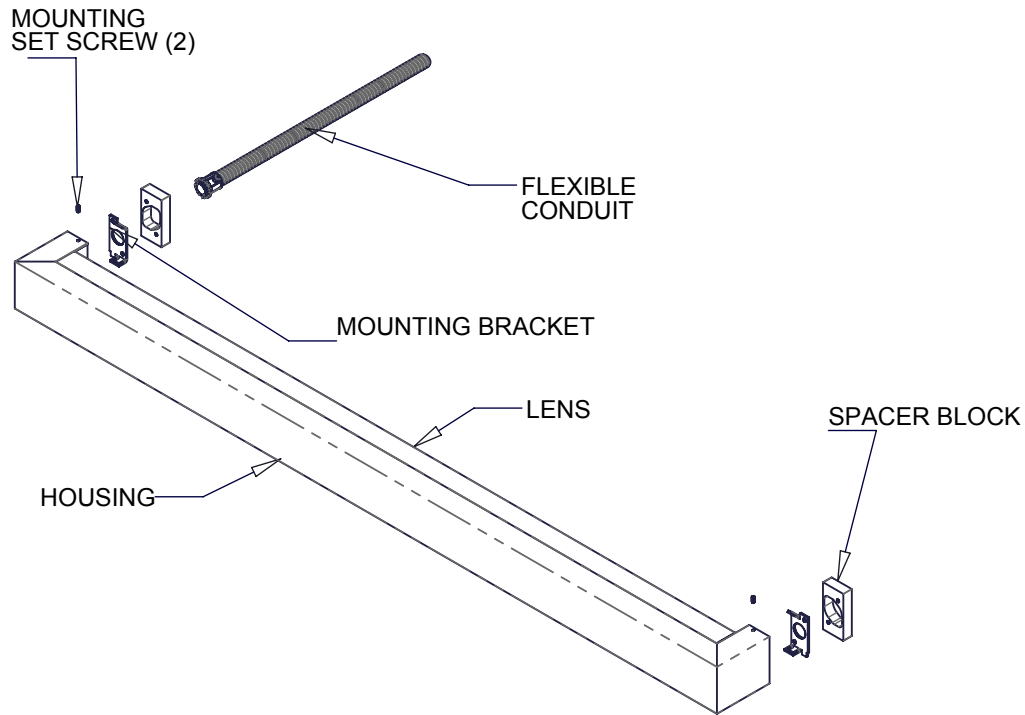
Drawing: 760963XX Rev: B Sheet: 2 of 5 Eng: TDG Date Drawn: 7/27/18

# INSTALLATION INSTRUCTIONS

Model: **CB5518, CB5519, CB5520, CB5521, CB5522, CB5523**  
 Fixture Family: **POSH**  
 Document Description: Installation Instructions for  
 Posh Series Luminaires

**VISA LIGHTING**  
 1717 West Civic Drive Milwaukee, WI 53209  
 414-354-6600  
 Design Modification Rights Reserved  
 © Visa Lighting

## INSTALL WITH SPACER BLOCK



MODEL NUMBER	MOUNTING CENTER
CB5519	26-1/32"
CB5521	38-1/32"
CB5523	50-1/32"

NOTE: FIXTURE DEPTH OFF WALL = 4-5/8"

1. Secure mounting brackets to wall or junction box (JBC option) at mounting center locations, shown on table with hardware (by others). The mounting may be different than what is shown above, depending on which fixture/option is ordered.
2. Make wire connections. If mounted directly to the wall, connections should be made in the fixture ends, otherwise make connections in the junction box (JBC option).
3. Slide fixture over mounting plates and tighten mounting set screws.

**!** When using electrical equipment, basic safety precautions should always be followed, including the following:

- Read all instructions carefully before installing and save for future use.
- Make sure all connections are in accordance with the National Electrical Code and local regulations.
- To avoid possible electric shock, be sure the power supply is turned off before servicing or installing the fixture.
- Service should be performed by qualified personnel.
- These instructions may not cover all details or variations. If additional information is needed, please contact Visa Lighting.

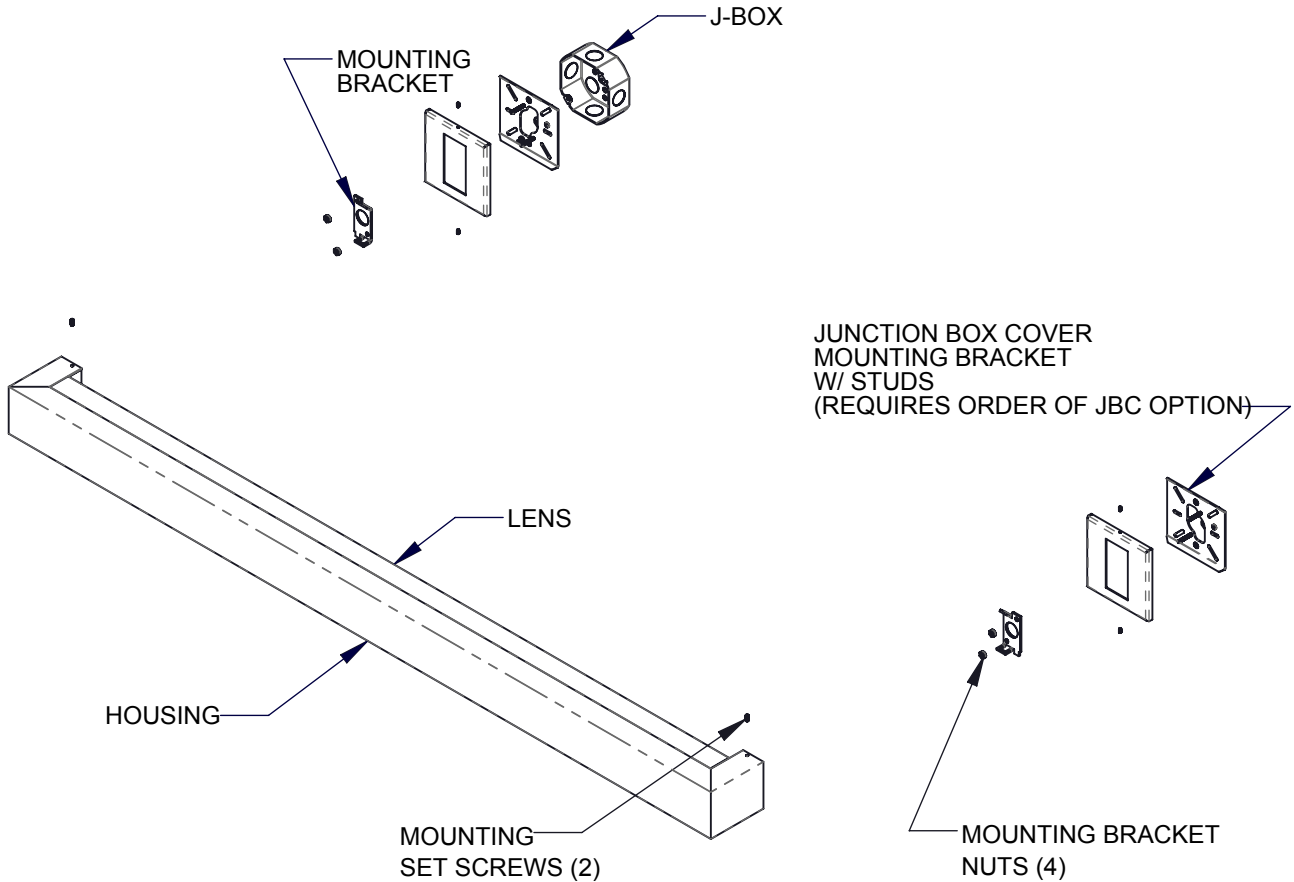
# INSTALLATION INSTRUCTIONS



Model: **CB5518, CB5519, CB5520, CB5521, CB5522, CB5523**  
 Fixture Family: **POSH**  
 Document Description: Installation Instructions for  
 Posh Series Luminaires

1717 West Civic Drive Milwaukee, WI 53209  
 414-354-6600  
 Design Modification Rights Reserved  
 © Visa Lighting

## INSTALL WITH JBOX COVER



FIXTURE NUMBER	MOUNTING CENTER
CB5518	26-1/32"
CB5520	38-1/32"
CB5522	50-1/32"

NOTE: FIXTURE DEPTH OFF WALL = 4"

1. Secure mounting brackets to wall or junction box (JBC option) at mounting center locations, shown on table with hardware (by others). The mounting may be different than what is shown above, depending on which fixture/option is ordered.
2. Make wire connections. If mounted directly to the wall, connections should be made in the fixture ends, otherwise make connections in the junction box (JBC option).
3. Slide fixture over mounting plates and tighten mounting set screws

Drawing: 760963XX

Rev: B

Sheet: 4 of 5

Eng: TDG

Date Drawn: 7/27/18



When using electrical equipment, basic safety precautions should always be followed, including the following:

- Read all instructions carefully before installing and save for future use.
- Make sure all connections are in accordance with the National Electrical Code and local regulations.
- To avoid possible electric shock, be sure the power supply is turned off before servicing or installing the fixture.
- Service should be performed by qualified personnel.
- These instructions may not cover all details or variations. If additional information is needed, please contact Visa Lighting.

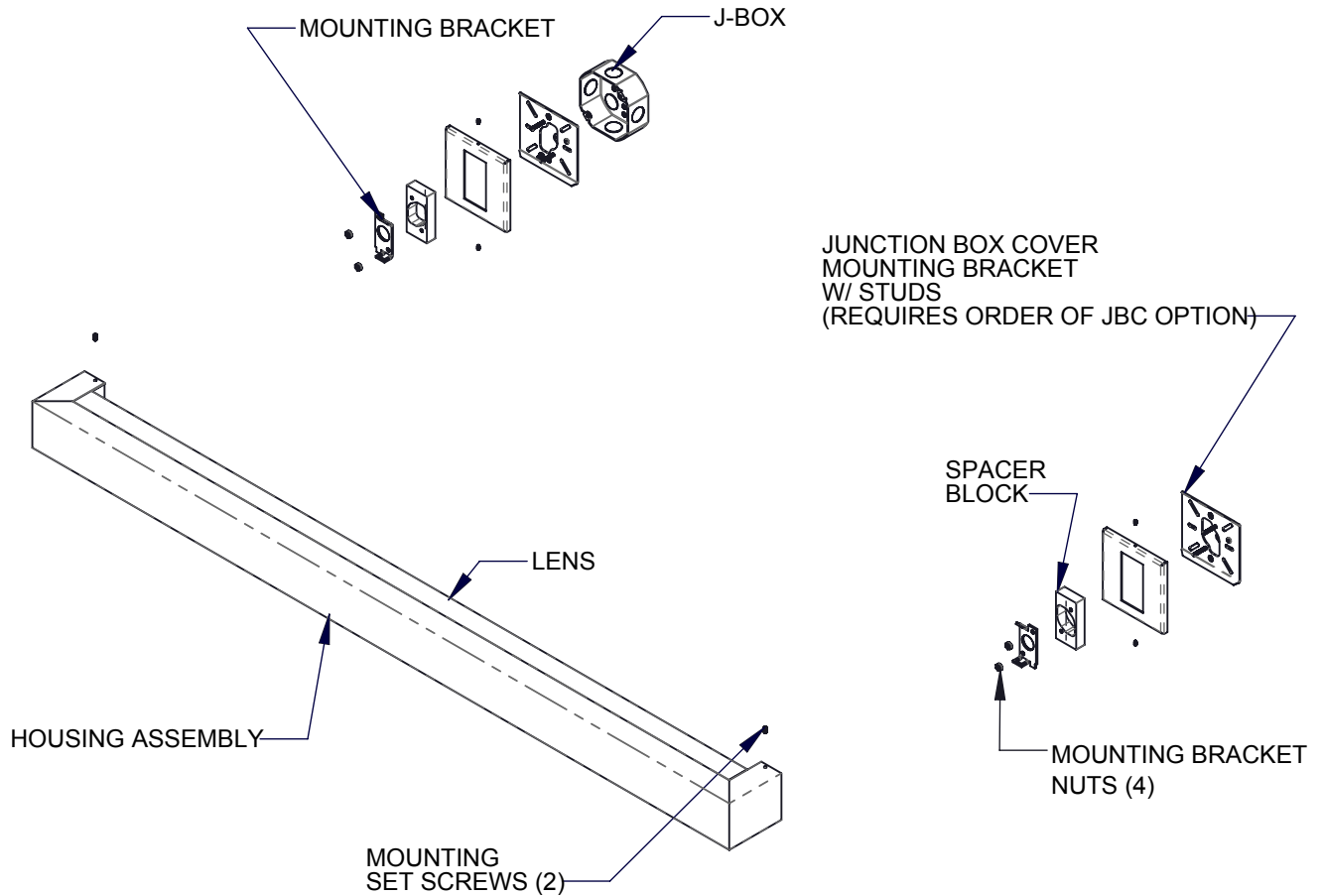
# INSTALLATION INSTRUCTIONS



Model: **CB5518, CB5519, CB5520, CB5521, CB5522, CB5523**  
 Fixture Family: **POSH**  
 Document Description: Installation Instructions for  
 Posh Series Luminaires

1717 West Civic Drive Milwaukee, WI 53209  
 414-354-6600  
 Design Modification Rights Reserved  
 © Visa Lighting

## INSTALL WITH JBOX COVER AND SPACER BLOCK



FIXTURE NUMBER	MOUNTING CENTER
CB5519	26-1/32"
CB5521	38-1/32"
CB5523	50-1/32"

NOTE: FIXTURE DEPTH OFF WALL = 4-5/8"

1. Secure mounting brackets to wall or junction box (JBC option) at mounting center locations, shown on table with hardware (by others). The mounting may be different than what is shown above, depending on which fixture/option is ordered.
2. Make wire connections. If mounted directly to the wall, connections should be made in the fixture ends, otherwise make connections in the junction box (JBC option).
3. Slide fixture over mounting plates and tighten mounting set screws.

**!** When using electrical equipment, basic safety precautions should always be followed, including the following:

- Read all instructions carefully before installing and save for future use.
- Make sure all connections are in accordance with the National Electrical Code and local regulations.
- To avoid possible electric shock, be sure the power supply is turned off before servicing or installing the fixture.
- Service should be performed by qualified personnel.
- These instructions may not cover all details or variations. If additional information is needed, please contact Visa Lighting.

Drawing: 760963XX

Rev: B

Sheet: 5 of 5

Eng: TDG

Date Drawn: 7/27/18