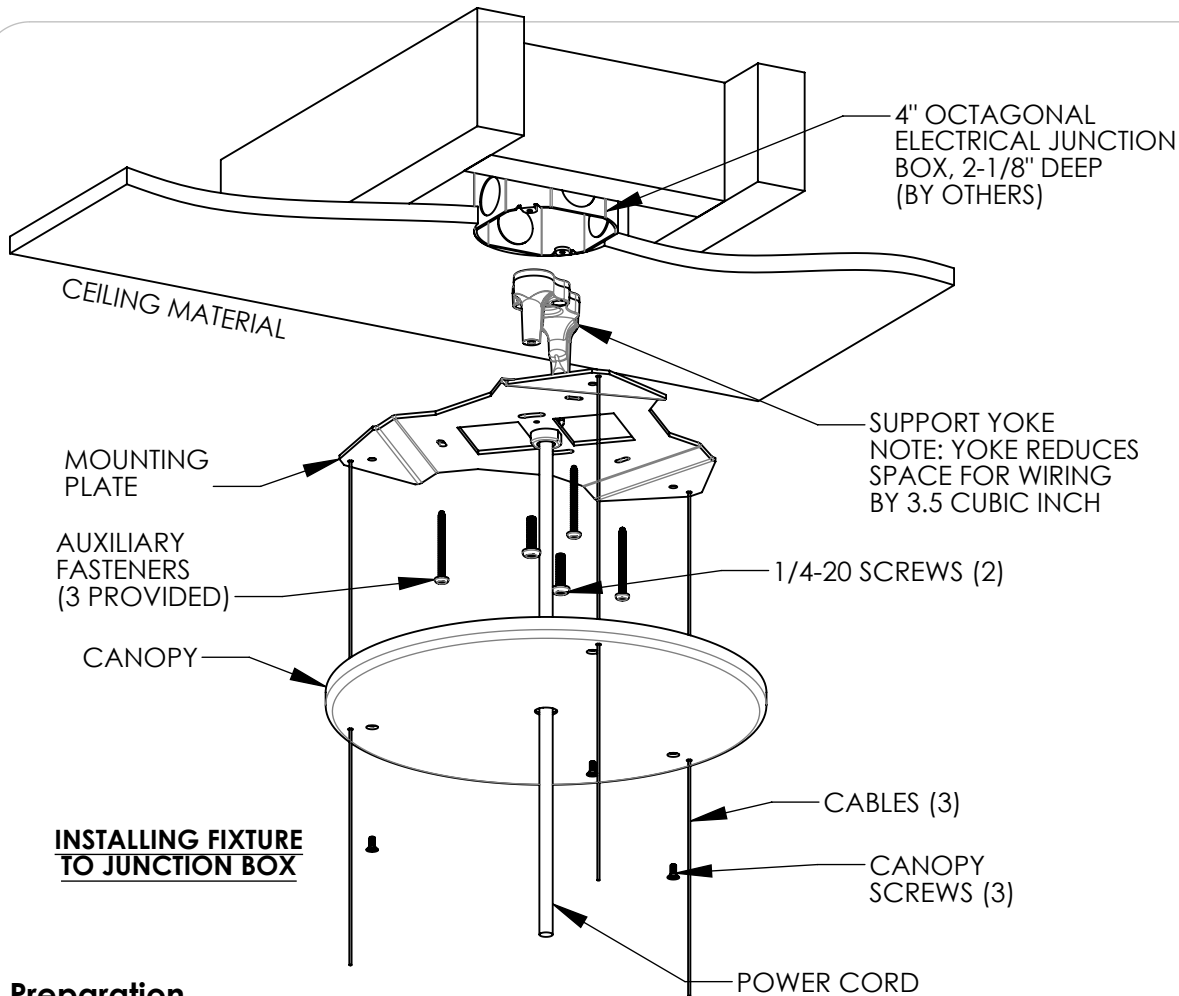


INSTALLATION INSTRUCTIONS

Model: **CP2000 SERIES**
Fixture Family: **BROADWAY**
Document Description: Installation Instructions for Mounting

VISA LIGHTING
An Oldenburg Group Company
1717 West Civic Drive Milwaukee, WI 53209
414-354-6600
Design Modification Rights Reserved
© Visa Lighting 2012



INSTALLING FIXTURE TO JUNCTION BOX

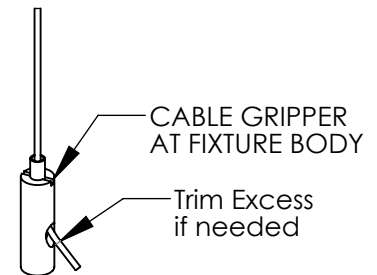
Preparation

See Sheet 2 for important preparation of Junction Box and mounting structure.

Installation is intended for a flat horizontal ceiling.

Instructions

- 1) Loosen Canopy Screws (do not remove) so canopy can drop from mounting plate.
- 2) Fasten mounting plate to junction box with 8-32 screws provided with junction box.
- 3) Make all wire connections per local and national codes.
- 4) Adjust cables at fixture body so power cord is not being strained and fixture is level.
- 5) Trim excess cable if needed.
- 6) Lift canopy in place and secure with screws provided.
- 7) Test



AT FIXTURE BODY

When using electrical equipment, basic safety precautions should always be followed, including the following:

- Read all instructions carefully before installing and save for future use.
- Make sure all connections are in accordance with the National Electrical Code and local regulations.
- To avoid possible electric shock, be sure the power supply is turned off before servicing or installing the fixture.
- Service should be performed by qualified personnel.
- These instructions may not cover all details or variations. If additional information is needed, please contact Visa Lighting.

Drawing: 760970XX

Rev: A

Sheet: 1 of 2

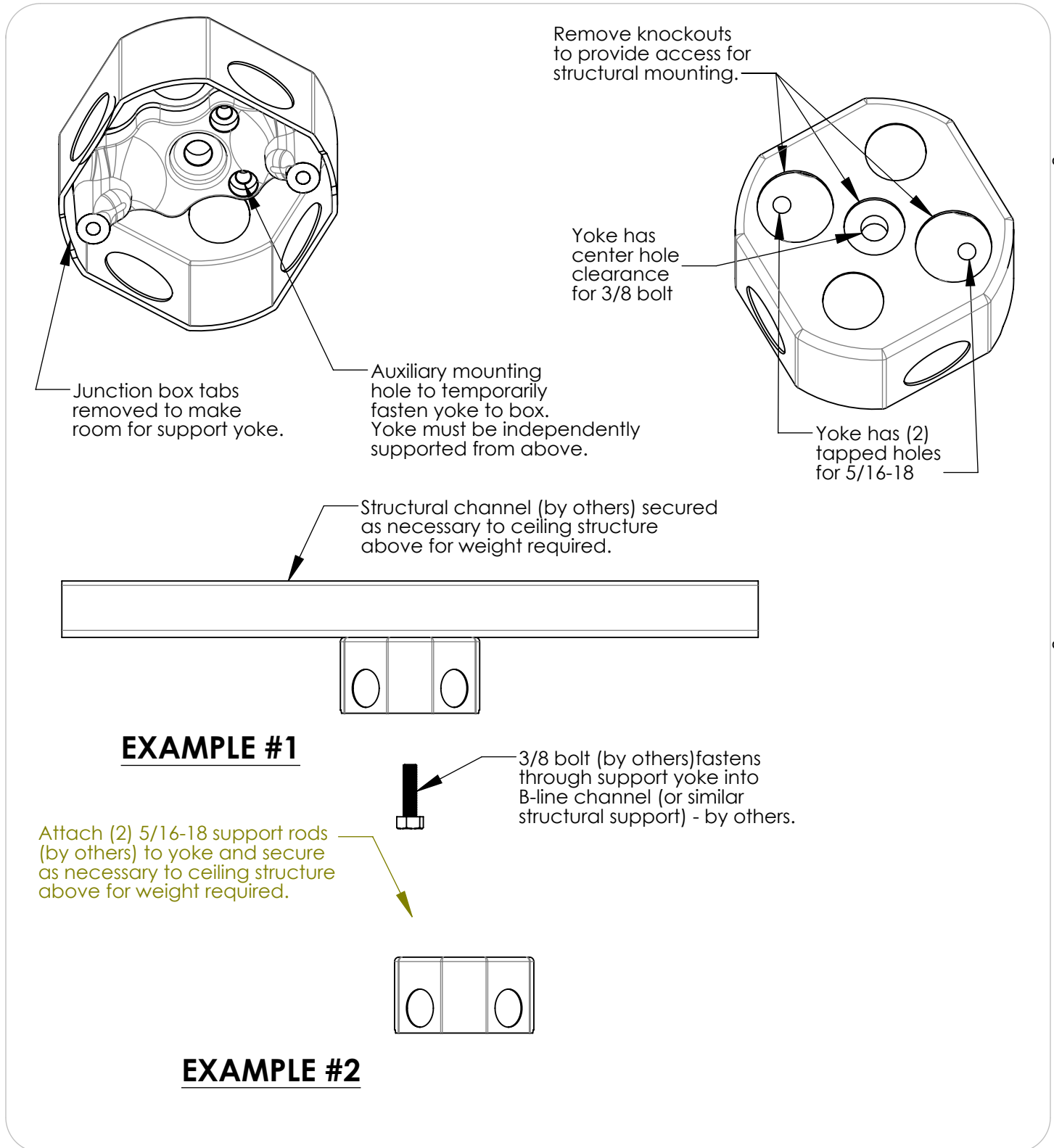
Eng: MJH

Date Drawn: 4/20/13

INSTALLATION INSTRUCTIONS

Model: **CP2000 SERIES**
Fixture Family: **BROADWAY**
Document Description: Installation Instructions for Mounting

1717 West Civic Drive Milwaukee, WI 53209
414-354-6600
Design Modification Rights Reserved
© Visa Lighting 2012



Drawing: 760970XX

Rev: A

Sheet: 2 of 2

Eng: MJH

Date Drawn: 4/20/13



When using electrical equipment, basic safety precautions should always be followed, including the following:

- Read all instructions carefully before installing and save for future use.
- Make sure all connections are in accordance with the National Electrical Code and local regulations.
- To avoid possible electric shock, be sure the power supply is turned off before servicing or installing the fixture.
- Service should be performed by qualified personnel.
- These instructions may not cover all details or variations. If additional information is needed, please contact Visa Lighting.