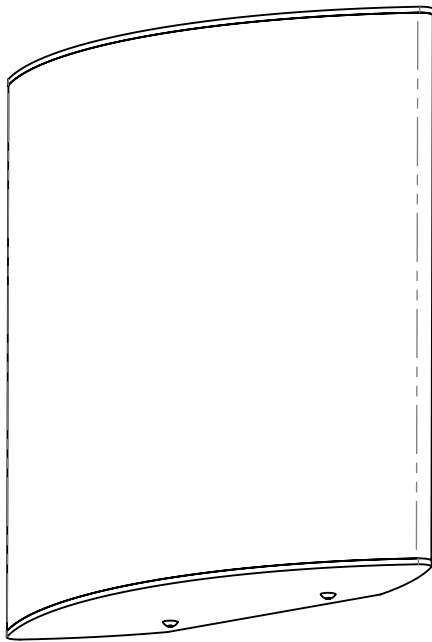


INSTALLATION INSTRUCTIONS

Model: **CB1900, CB1902**
Fixture Family: **UNITY WALL SCONCE**
Document Description: Installation Instructions for
UNITY WALL SCONCE Series Luminaires

VISA LIGHTING
AN OLDENBURG GROUP COMPANY
1717 West Civic Drive Milwaukee, WI 53209
414-354-6600
Design Modification Rights Reserved
© Visa Lighting



*STYLE MAY VARY

UNITY WALL SCONCE

CB1900
CB1902

PAGE 2: LED
NEW VERSION LED

PAGE 3: LED
OLD VERSION LED

PAGE 4: FLR

Drawing: 760999XX

Rev: A

Sheet: 1 of 4

Eng: SLN

Date Drawn: 07/17/2013

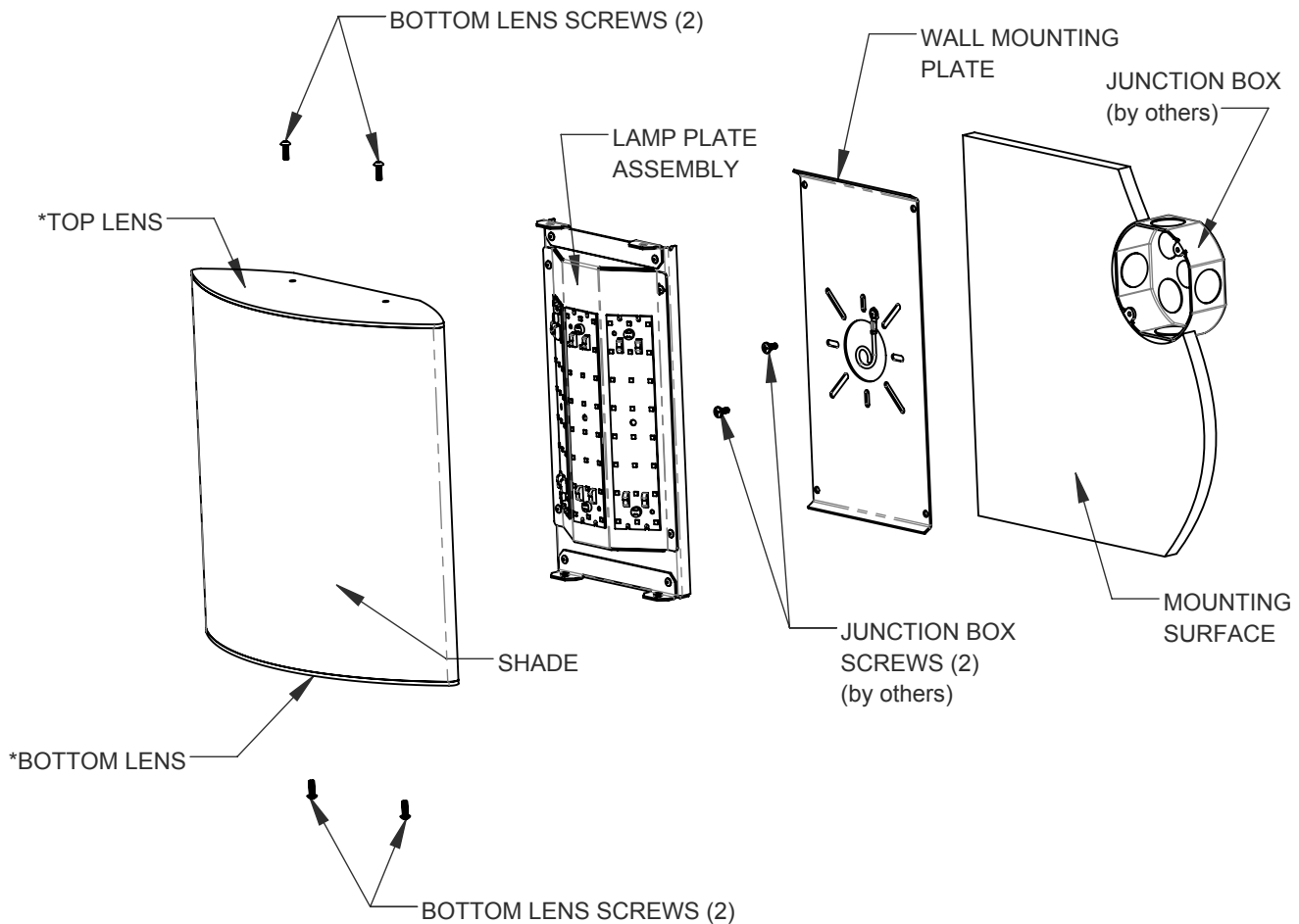
When using electrical equipment, basic safety precautions should always be followed, including the following:

- Read all instructions carefully before installing and save for future use.
- Make sure all connections are in accordance with the National Electrical Code and local regulations.
- To avoid possible electric shock, be sure the power supply is turned off before servicing or installing the fixture.
- Service should be performed by qualified personnel.
- These instructions may not cover all details or variations. If additional information is needed, please contact Visa Lighting.

INSTALLATION INSTRUCTIONS

Model: **CB1900, CB1902**
Fixture Family: **UNITY WALL SCONCE**
Document Description: Installation Instructions for
UNITY WALL SCONCE Series Luminaires

VISA LIGHTING
AN OLDENBURG GROUP COMPANY
1717 West Civic Drive Milwaukee, WI 53209
414-354-6600
Design Modification Rights Reserved
© Visa Lighting



*NOTE: Top and bottom lens is available as an option on CB1902 only. CB1900 does not come with lenses.

1. Secure mounting plate to junction box and wall with hardware (by others).
2. Make all electrical connections per national and local codes.
3. Lift lamp plate assembly over bend at top of mounting plate, rotate down over mounting plate and against wall. Tighten mounting set screw at bottom of lamp plate assembly.
4. Install shade by hooking top bar of shade into slot at top of lamp plate assembly and rotate down over knurled nut until the bottom bar of lens snaps into place.
5. Install top and bottom lenses to lamp plate assembly with screws provided.

When using electrical equipment, basic safety precautions should always be followed, including the following:

- Read all instructions carefully before installing and save for future use.
- Make sure all connections are in accordance with the National Electrical Code and local regulations.
- To avoid possible electric shock, be sure the power supply is turned off before servicing or installing the fixture.
- Service should be performed by qualified personnel.
- These instructions may not cover all details or variations. If additional information is needed, please contact Visa Lighting.

Drawing: 760999XX

Rev: A

Sheet: 2 of 4

Eng: SLN

Date Drawn: 07/17/2013

INSTALLATION INSTRUCTIONS

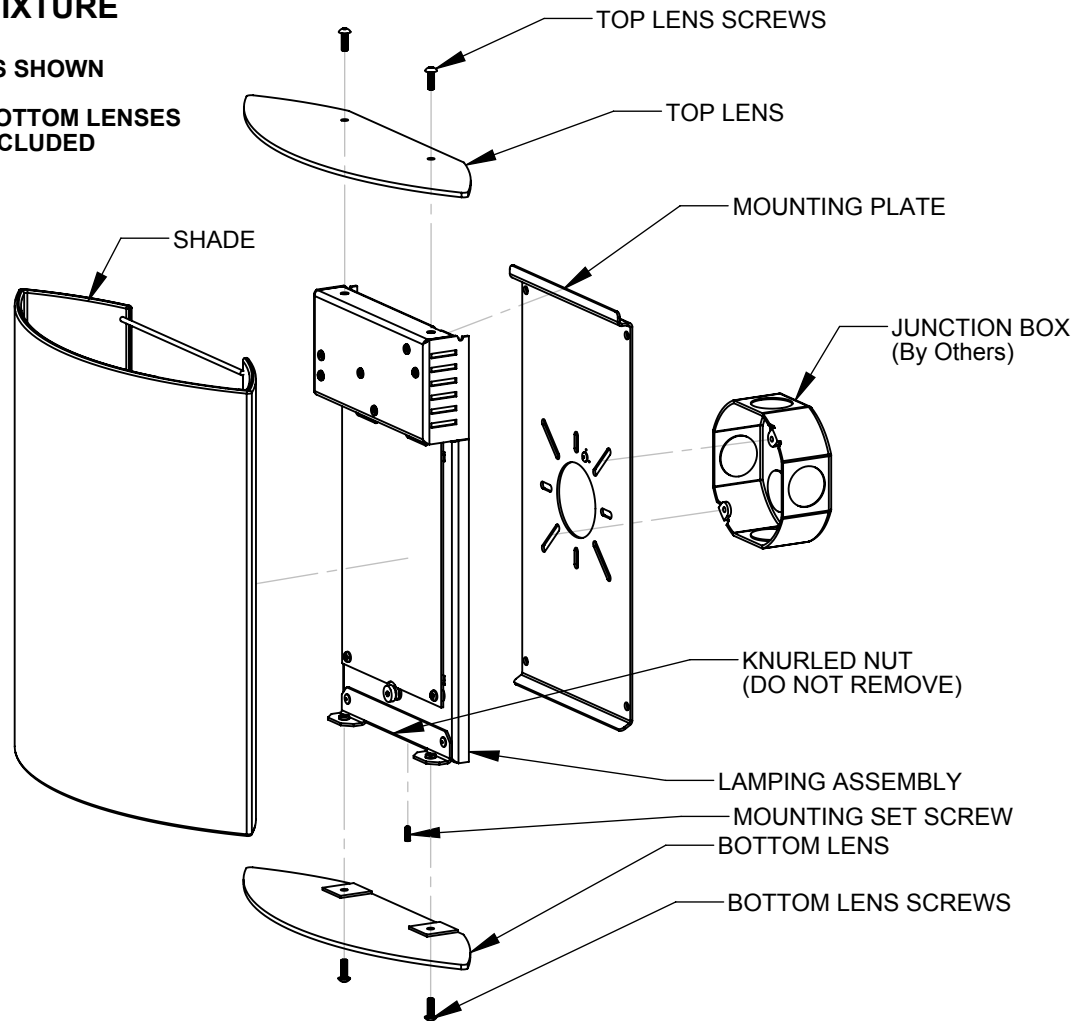


Model: **CB1900, CB1902**
Fixture Family: **UNITY WALL SCONCE**
Document Description: Installation Instructions for
UNITY WALL SCONCE Series Luminaires

1717 West Civic Drive Milwaukee, WI 53209
414-354-6600
Design Modification Rights Reserved
© Visa Lighting

TYPICAL FIXTURE

(CB1902) - AS SHOWN
(CB1900) - TOP & BOTTOM LENSES
ARE NOT INCLUDED



*NOTE: Top and bottom lens is available as an option on CB1902 only. CB1900 does not come with lenses.

1. Secure mounting plate to junction box and wall with hardware (by others).
2. Make all electrical connections per national and local codes.
3. Lift lamp plate assembly over bend at top of mounting plate, rotate down over mounting plate and against wall. Tighten mounting set screw at bottom of lamp plate assembly.
4. Install shade by hooking top bar of shade into slot at top of lamp plate assembly and rotate down over knurled nut until the bottom bar of lens snaps into place.
5. Install top and bottom lenses to lamp plate assembly with screws provided.

Drawing: 760999XX

Rev: A

Sheet: 3 of 4

Eng: SLN

Date Drawn: 07/17/2013



When using electrical equipment, basic safety precautions should always be followed, including the following:

- Read all instructions carefully before installing and save for future use.
- Make sure all connections are in accordance with the National Electrical Code and local regulations.
- To avoid possible electric shock, be sure the power supply is turned off before servicing or installing the fixture.
- Service should be performed by qualified personnel.
- These instructions may not cover all details or variations. If additional information is needed, please contact Visa Lighting.

INSTALLATION INSTRUCTIONS

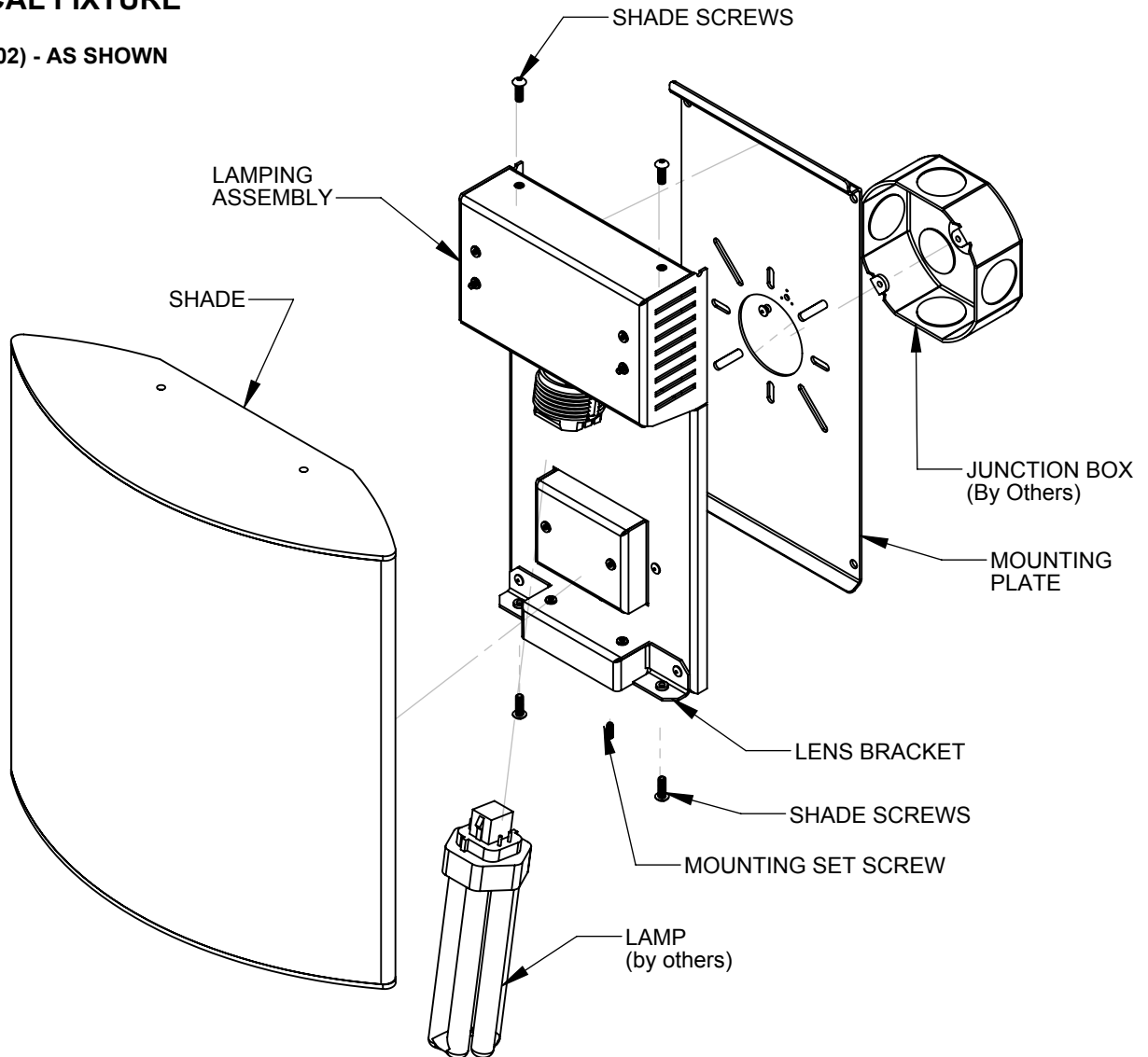


Model: **CB1900, CB1902**
Fixture Family: **UNITY WALL SCONCE**
Document Description: Installation Instructions for
UNITY WALL SCONCE Series Luminaires

1717 West Civic Drive Milwaukee, WI 53209
414-354-6600
Design Modification Rights Reserved
© Visa Lighting

TYPICAL FIXTURE

(CB1902) - AS SHOWN



1. Secure mounting plate to junction box & wall (screws & j-box by others).
2. Make electrical connections per code.
3. Lift lamp assembly over bend at top of mounting plate, rotate down over mounting plate and against wall. Tighten mounting set screw at bottom of lamp assembly.
4. Install Lamp.
5. Install acrylic shade with screws provided.

When using electrical equipment, basic safety precautions should always be followed, including the following:

- Read all instructions carefully before installing and save for future use.
- Make sure all connections are in accordance with the National Electrical Code and local regulations.
- To avoid possible electric shock, be sure the power supply is turned off before servicing or installing the fixture.
- Service should be performed by qualified personnel.
- These instructions may not cover all details or variations. If additional information is needed, please contact Visa Lighting.

Drawing: 760999XX

Rev: A

Sheet: 4 of 4

Eng: SLN

Date Drawn: 07/17/2013