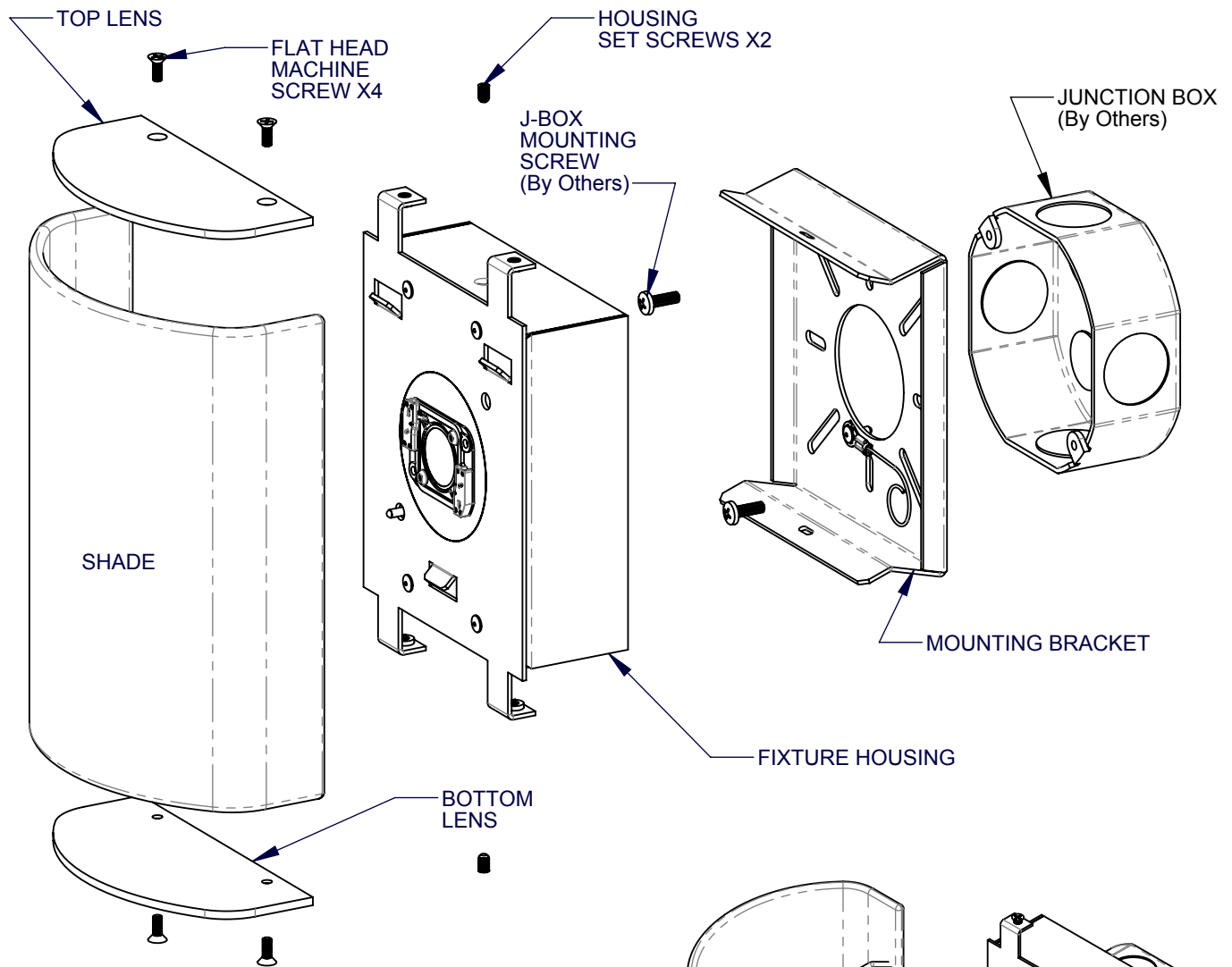
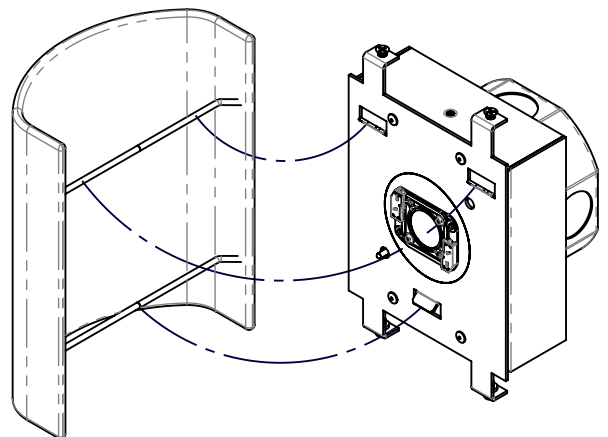


INSTALLATION INSTRUCTIONS

Model: **CB1966 / CB1968**
Fixture Family: **TEMPO ADA WALL SCONCE**
Document Description: Installation Instructions for
TEMPO Series Luminaires



1. Loosen (2) housing set screws from top and bottom of housing. Remove mounting bracket.
2. Secure mounting bracket to junction box with fasteners (by others).
3. Make electrical connections per code.
4. Secure housing to mounting bracket with (2) housing set screws.
NOTE: Take caution not to pinch wires.
5. Snap shade onto housing shade mounting tabs.
(See image to the right).
6. Secure top and bottom lens to housing with provided flat head machine screws.



Drawing: 761994XX

Rev: A

Sheet: 1 of 1

Eng: SLN

Date Drawn: 5/5/2014

When using electrical equipment, basic safety precautions should always be followed, including the following:

- Read all instructions carefully before installing and save for future use.
- Make sure all connections are in accordance with the National Electrical Code and local regulations.
- To avoid possible electric shock, be sure the power supply is turned off before servicing or installing the fixture.
- Service should be performed by qualified personnel.
- These instructions may not cover all details or variations. If additional information is needed, please contact Visa Lighting.