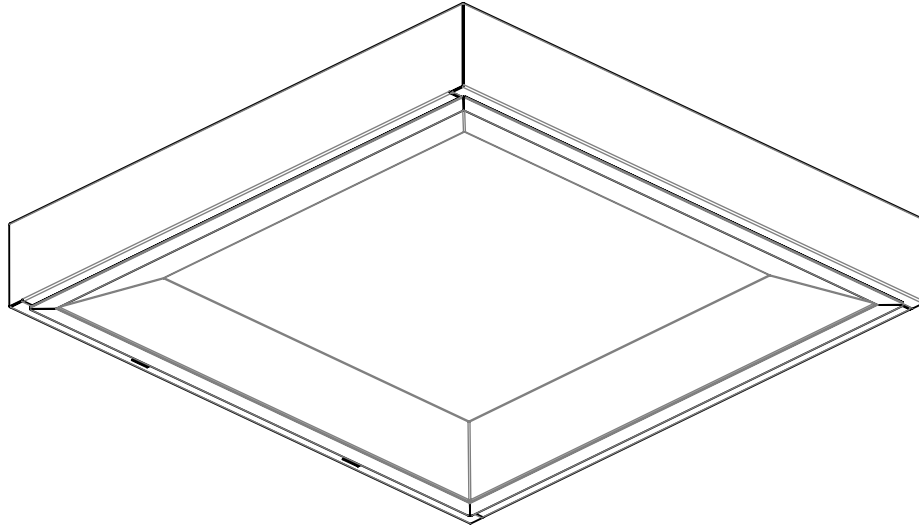


INSTALLATION INSTRUCTIONS

Model: **SERENITY**
Fixture Family: **CEILING RECESSED MOUNT**
Document Description: Installation Instructions for
CM1938, CM1946 Series Luminaires



SERENITY CEILING RECESSED MOUNT

CM1938
CM1946

Drawing: 762000XX

Rev: B

Sheet: 1 of 8

Eng: CLD

Date Drawn: 04/21/17

! When using electrical equipment, basic safety precautions should always be followed, including the following:

- Read all instructions carefully before installing and save for future use.
- Make sure all connections are in accordance with the National Electrical Code and local regulations.
- To avoid possible electric shock, be sure the power supply is turned off before servicing or installing the fixture.
- Service should be performed by qualified personnel.
- These instructions may not cover all details or variations. If additional information is needed, please contact Visa Lighting.

INSTALLATION INSTRUCTIONS



AN OLDENBURG GROUP COMPANY

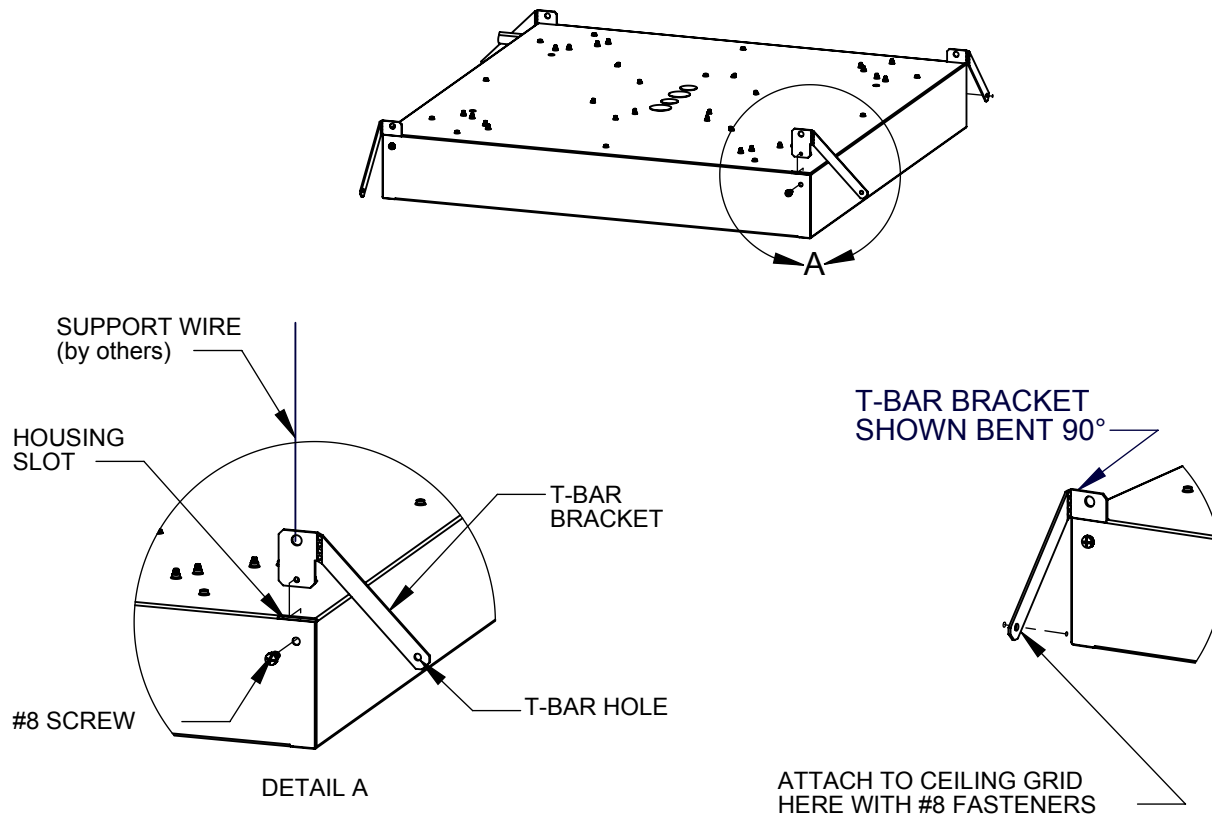
1717 West Civic Drive Milwaukee, WI 53209

414-354-6600

Design Modification Rights Reserved
© Visa Lighting

Model: **SERENITY**
Fixture Family: **CEILING RECESSED MOUNT**
Document Description: Installation Instructions for
CM1938, CM1946 Series Luminaires

TYPICAL GRID CEILING RECESSED FIXTURE MOUNTING



1. Remove the lens from fixture before attempting installation. Unlatch one end, swinging frame up/out approximately 45° and unhook the hinge from the housing. Refer to See Sheet 3 for instructions. Set lens aside and reinstall as last step of installation.
2. Remove electrical access cover.

Note: Steps two and three can be reversed if ceiling space constraints required.

1. Install the (4) T-bar brackets into the housing slots in each of the four corners using a #8 screw. Brackets may be bent to accommodate obstructions.
2. If fixture is marked for orientation (“HEAD” or “FOOT”), be sure to align in the proper direction. Install the fixture in the T-bar grid system by lifting the fixture through the opening and lowering it onto the T-bar grid.
3. Attach support wires from each of the four T-bar brackets to the building structure.
4. If required, drill hole in the ceiling grid at the T-bar hole locations and attach the fixture to the grid with #8 fasteners.

When using electrical equipment, basic safety precautions should always be followed, including the following:

- Read all instructions carefully before installing and save for future use.
- Make sure all connections are in accordance with the National Electrical Code and local regulations.
- To avoid possible electric shock, be sure the power supply is turned off before servicing or installing the fixture
- Service should be performed by qualified personnel.
- These instructions may not cover all details or variations. If additional information is needed, please contact Visa Lighting.

Drawing: 762000XX

Rev: B

Sheet: 2 of 8

Eng: CLD

Date Drawn: 04/2/117

INSTALLATION INSTRUCTIONS



AN OLDENBURG GROUP COMPANY

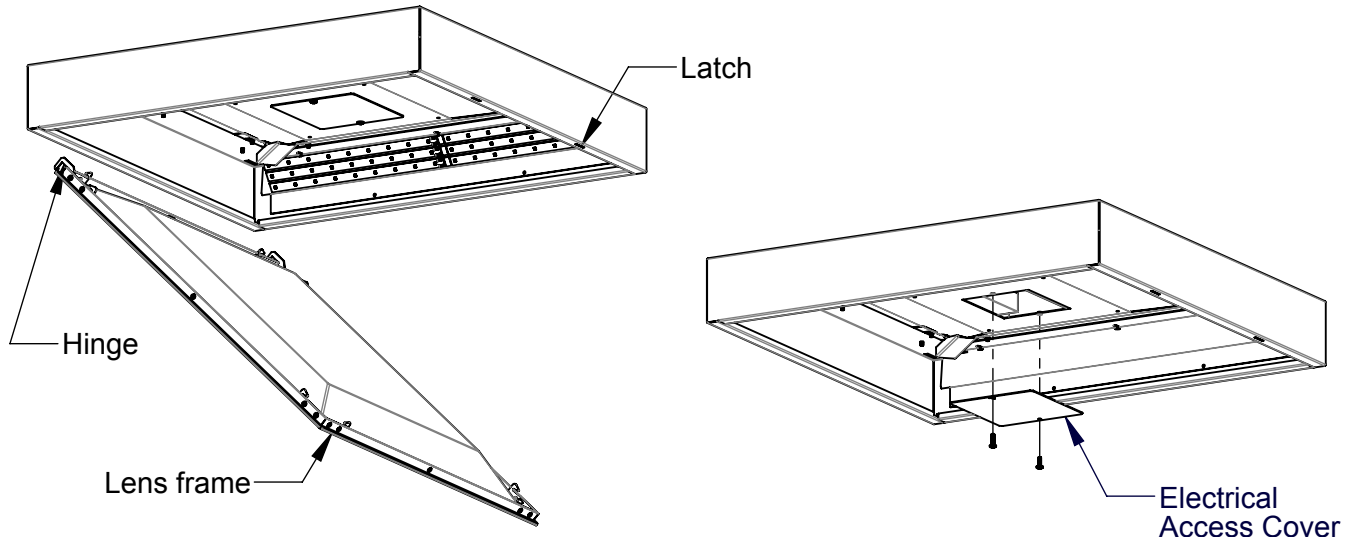
1717 West Civic Drive Milwaukee, WI 53209

414-354-6600

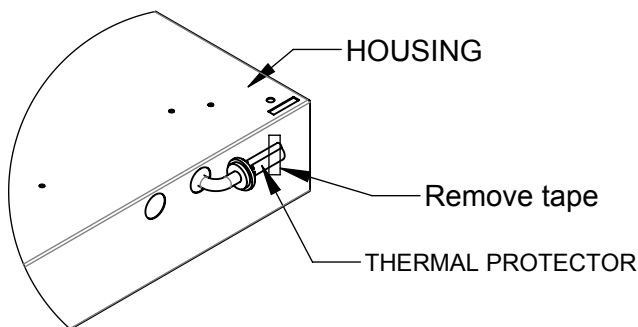
Design Modification Rights Reserved

© Visa Lighting

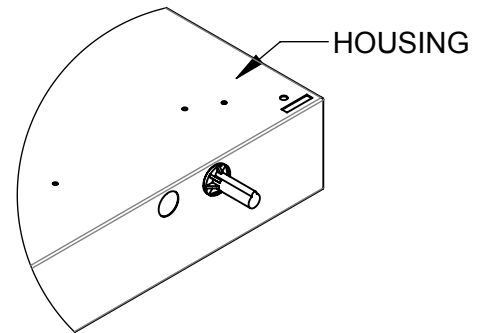
Model: **SERENITY**
Fixture Family: **CEILING RECESSED MOUNT**
Document Description: Installation Instructions for
CM1938, CM1946 Series Luminaires



THERMAL PROTECTOR INSTALLATION (WHEN SUPPLIED)



**THERMAL PROTECTOR
(AS SHIPPED)**



**THERMAL PROTECTOR
(INSTALLED)**

1. The thermal protectors are shipped taped to the side of the housing to prevent damage in shipment.
2. After installation into the T-bar grid system, remove the tape and push the thermal protector into the hole in the housing until it snaps in place. **CAUTION:** The thermal protectors must not contact the T-bar grid system.
3. If the housing has two thermal protectors, install the second protector like the first.
4. Wire the fixture per instruction on pages 4 and 5.

Drawing: 762000XX

Rev: B

Sheet: 3 of 8

Eng: CLD

Date Drawn: 04/21/17

When using electrical equipment, basic safety precautions should always be followed, including the following:

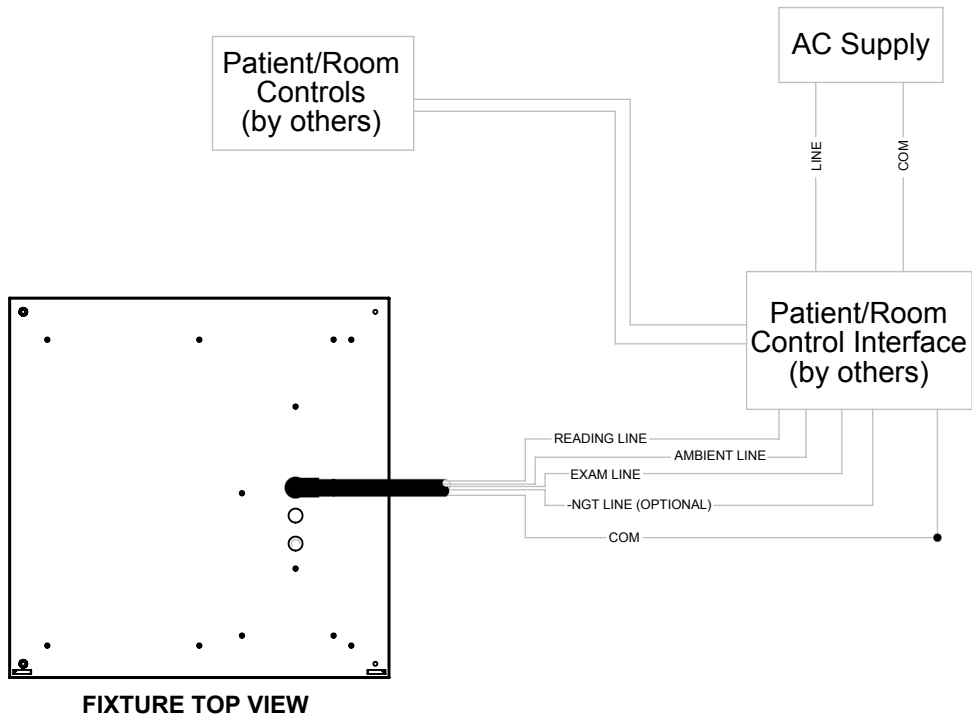
- Read all instructions carefully before installing and save for future use.
- Make sure all connections are in accordance with the National Electrical Code and local regulations.
- To avoid possible electric shock, be sure the power supply is turned off before servicing or installing the fixture.
- Service should be performed by qualified personnel.
- These instructions may not cover all details or variations. If additional information is needed, please contact Visa Lighting.

INSTALLATION INSTRUCTIONS

Model: **SERENITY**
Fixture Family: **CEILING RECESSED MOUNT**
Document Description: Installation Instructions for
CM1938, CM1946 Series Luminaires

VISA LIGHTING
AN OLDENBURG GROUP COMPANY
1717 West Civic Drive Milwaukee, WI 53209
414-354-6600
Design Modification Rights Reserved
© Visa Lighting

CONTROL SYSTEM INTERFACE WIRING



WIRING INSTRUCTIONS

1. All connections to fixture, are at line voltage. Use of a separate control interface (by others) is require to control fixture by means other than line-voltage switches.
2. All AC inputs to fixture must be supplied from the same branch circuit.

Drawing: 762000XX

Rev: B

Sheet: 4 of 8

Eng: CLD

Date Drawn: 04/21/17

When using electrical equipment, basic safety precautions should always be followed, including the following:

- Read all instructions carefully before installing and save for future use.
- Make sure all connections are in accordance with the National Electrical Code and local regulations.
- To avoid possible electric shock, be sure the power supply is turned off before servicing or installing the fixture
- Service should be performed by qualified personnel.
- These instructions may not cover all details or variations. If additional information is needed, please contact Visa Lighting.

INSTALLATION INSTRUCTIONS



AN OLDENBURG GROUP COMPANY

1717 West Civic Drive Milwaukee, WI 53209

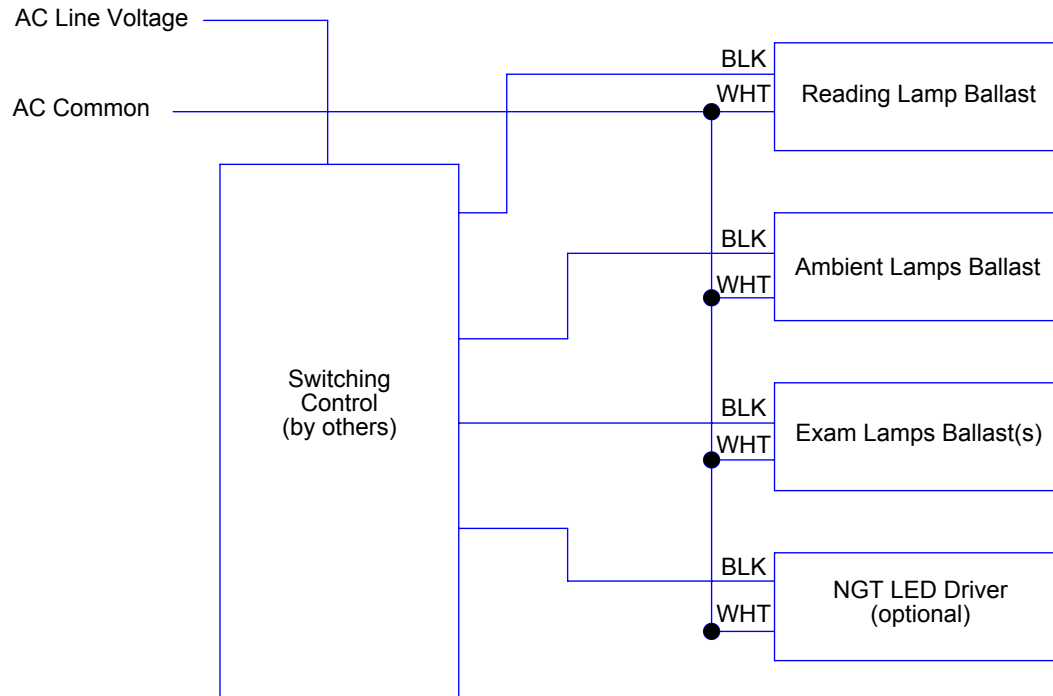
414-354-6600

Design Modification Rights Reserved

© Visa Lighting

Model: **SERENITY**
Fixture Family: **CEILING RECESSED MOUNT**
Document Description: Installation Instructions for
CM1938, CM1946 Series Luminaires

INTERNAL WIRING BLOCK DIAGRAM



Drawing: 762000XX

Rev: B

Sheet: 5 of 8

Eng: CLD

Date Drawn: 04/21/17

When using electrical equipment, basic safety precautions should always be followed, including the following:

- Read all instructions carefully before installing and save for future use.
- Make sure all connections are in accordance with the National Electrical Code and local regulations.
- To avoid possible electric shock, be sure the power supply is turned off before servicing or installing the fixture.
- Service should be performed by qualified personnel.
- These instructions may not cover all details or variations. If additional information is needed, please contact Visa Lighting.

INSTALLATION INSTRUCTIONS

Model: **SERENITY**
Fixture Family: **CEILING RECESSED MOUNT**
Document Description: Installation Instructions for
CM1938, CM1946 Series Luminaires

 **VISA LIGHTING**
AN OLDENBURG GROUP COMPANY
1717 West Civic Drive Milwaukee, WI 53209
414-354-6600
Design Modification Rights Reserved
© Visa Lighting

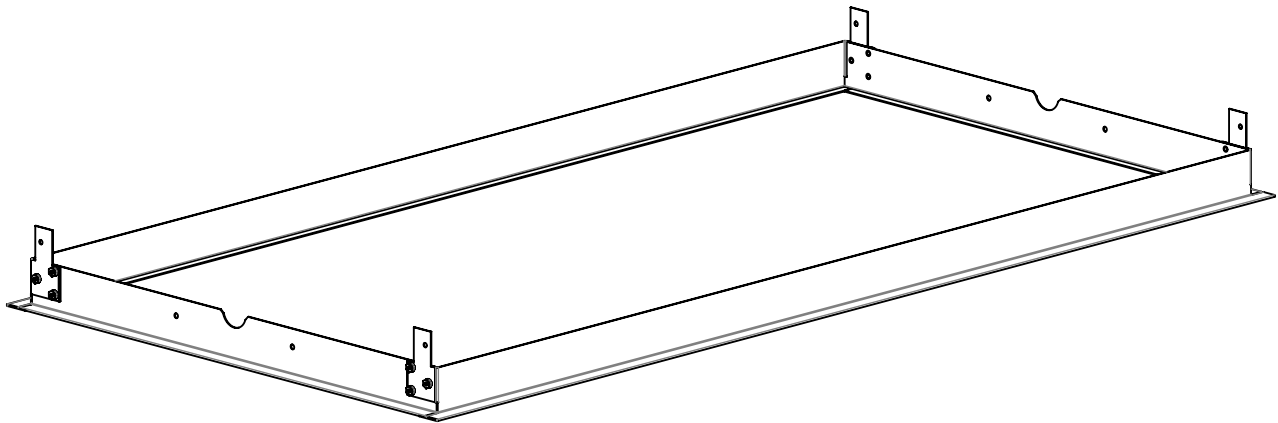
Drawing: 762000XX

Rev: B

Sheet: 6 of 8


Eng: CLD

Date Drawn: 04/21/17



DRYWALL INSTALLATION KIT (SRI) FOR RECESSED SERENITY

CM1938
CM1946

 When using electrical equipment, basic safety precautions should always be followed, including the following:

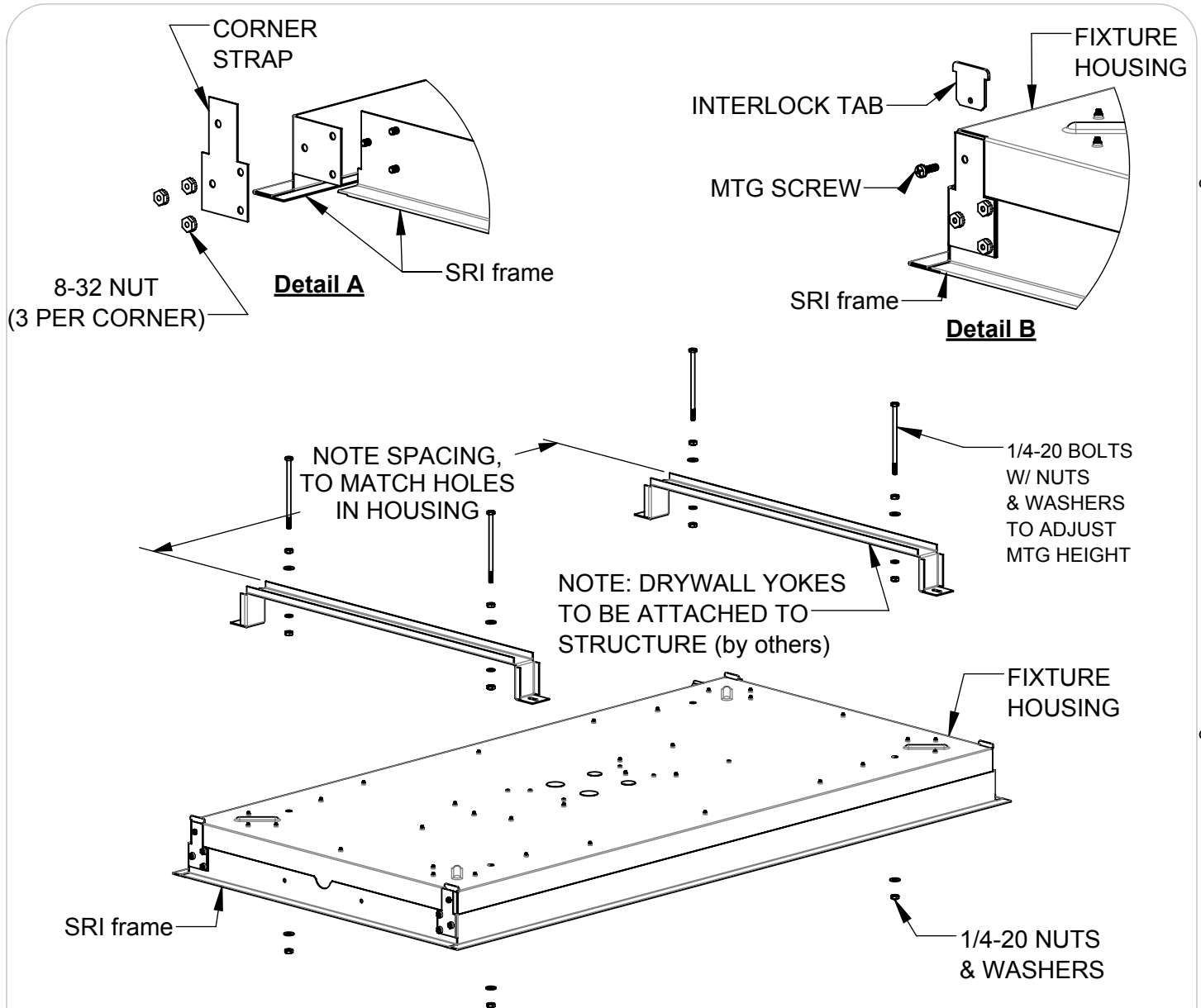
- Read all instructions carefully before installing and save for future use.
- Make sure all connections are in accordance with the National Electrical Code and local regulations.
- To avoid possible electric shock, be sure the power supply is turned off before servicing or installing the fixture.
- Service should be performed by qualified personnel.
- These instructions may not cover all details or variations. If additional information is needed, please contact Visa Lighting.

INSTALLATION INSTRUCTIONS



Model: **SERENITY**
 Fixture Family: **CEILING RECESSED MOUNT**
 Document Description: Installation Instructions for
 CM1938, CM1946 Series Luminaires

1717 West Civic Drive Milwaukee, WI 53209
 414-354-6600
 Design Modification Rights Reserved
 © Visa Lighting



1. SRI frame - Assemble corners as illustrated in Detail A using (3) 8-32 nuts at each corner.
2. Slide FIXTURE HOUSING into SRI frame.
3. Insert INTERLOCK TAB into corner slot on top of the FIXTURE HOUSING, fasten MTG SCREW through hole in CORNER STRAP, into the INTERLOCK TAB as shown in Detail B (all 4 corners).
4. Attach DRYWALL YOKES to structure around opening (match spacing to holes in housing).
5. Install and adjust 1/4-20 bolts to correct finished length needed for flush fixture mounting.
6. Attach fixture to 1/4-20 bolts using washers and nuts.

Drawing: 762000XX

Rev: B

Sheet: 7 of 8

Eng: CLD

Date Drawn: 04/21/17



When using electrical equipment, basic safety precautions should always be followed, including the following:

- Read all instructions carefully before installing and save for future use.
- Make sure all connections are in accordance with the National Electrical Code and local regulations.
- To avoid possible electric shock, be sure the power supply is turned off before servicing or installing the fixture.
- Service should be performed by qualified personnel.

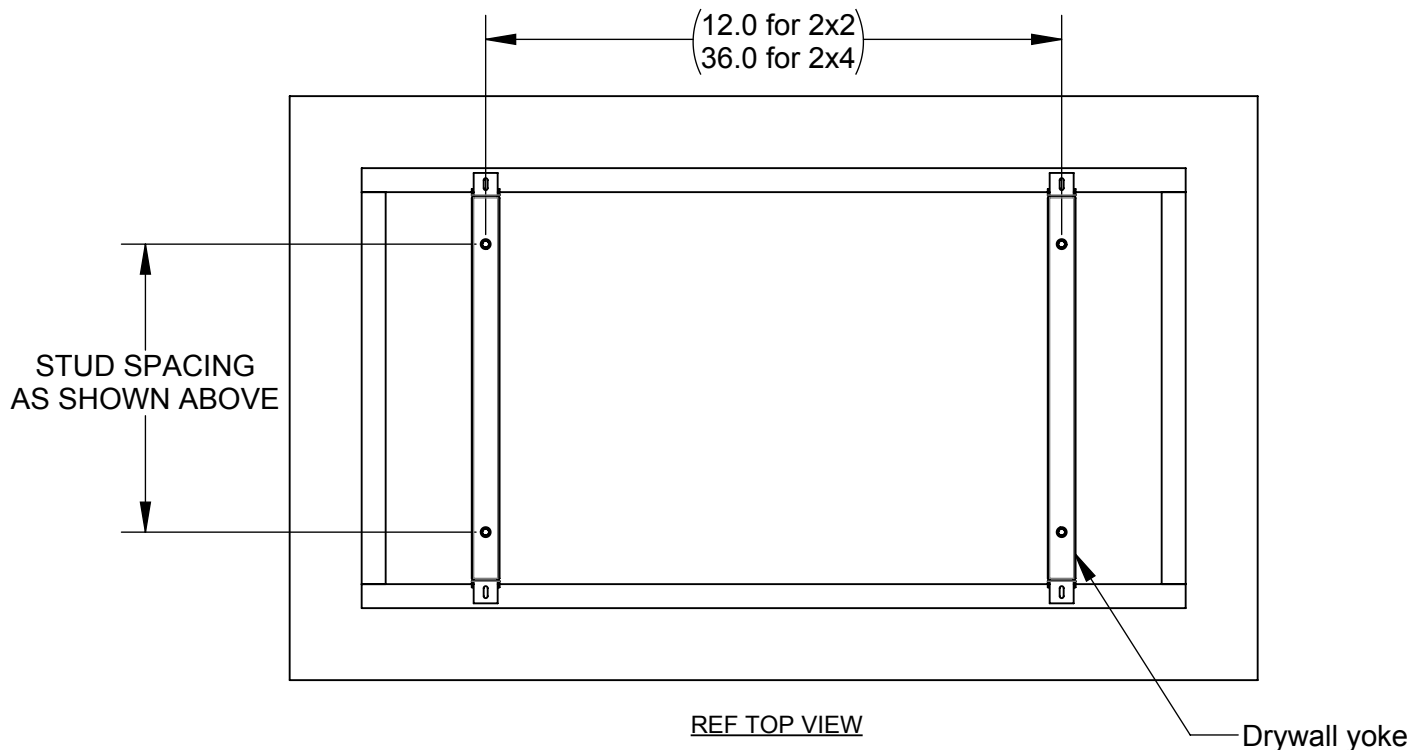
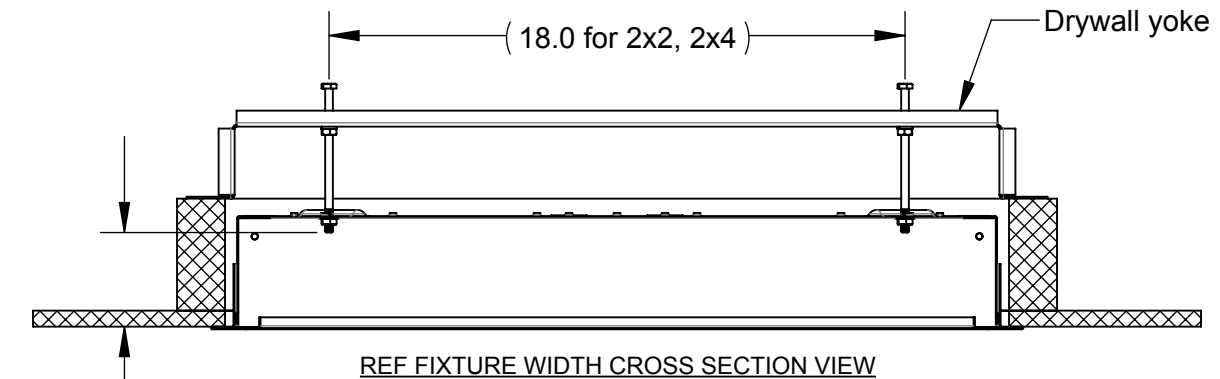
• These instructions may not cover all details or variations. If additional information is needed, please contact Visa Lighting.

INSTALLATION INSTRUCTIONS



Model: **SERENITY**
Fixture Family: **CEILING RECESSED MOUNT**
Document Description: Installation Instructions for
CM1938, CM1946 Series Luminaires

1717 West Civic Drive Milwaukee, WI 53209
414-354-6600
Design Modification Rights Reserved
© Visa Lighting



1. Attach DRYWALL YOKES to structure around opening (match spacing to holes in housing).
2. Stud spacing as shown above for 2x2 and 2x4 fixtures.
3. Adjust stud length such that bottom of stud is approximately 2.9" from ceiling surface

When using electrical equipment, basic safety precautions should always be followed, including the following:

- Read all instructions carefully before installing and save for future use.
- Make sure all connections are in accordance with the National Electrical Code and local regulations.
- To avoid possible electric shock, be sure the power supply is turned off before servicing or installing the fixture
- Service should be performed by qualified personnel.
- These instructions may not cover all details or variations. If additional information is needed, please contact Visa Lighting.

Drawing: 762000XX

Rev: B

Sheet: 8 of 8

Eng: CLD

Date Drawn: 04/21/17