

INSTALLATION INSTRUCTIONS

Model: **CP2020, CP2022, CP2024**
Fixture Family: **SEQUENCE LED**
Document Description: Installation Instructions for SEQUENCE
LED Series Luminaires

VISA LIGHTING
AN OLDENBURG GROUP COMPANY
1717 West Civic Drive Milwaukee, WI 53209
414-354-6600
Design Modification Rights Reserved
© Visa Lighting

SEQUENCE LED

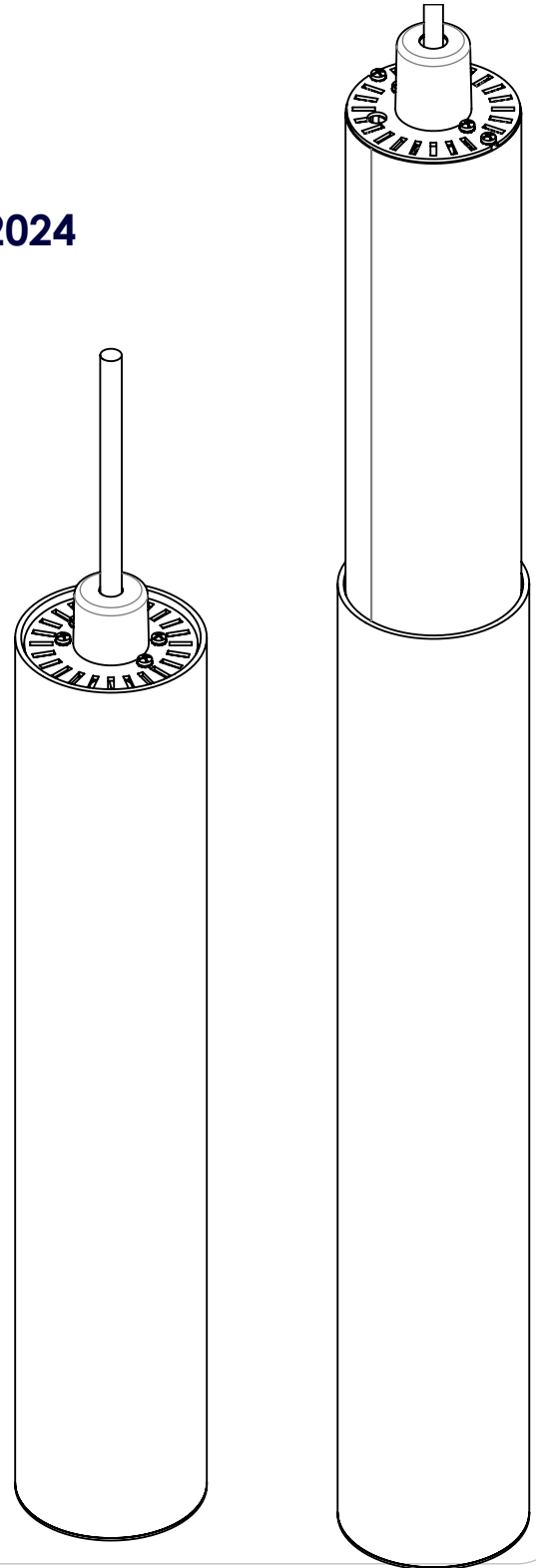
CP2020, CP2022, CP2024

SPECIAL NOTE: INSTRUCTION PACKET HAS MULTIPLE PAGES, READ CAREFULLY AS INSTRUCTIONS MAY DIFFER DEPENDING ON OPTIONS ORDERED

Pg 2 - Standard shipment with cord and canopy attached to fixture.

Pg 3 - If mounting hardware is shipped ahead for installation before fixture arrives.

Pg 4 - Power Cord Connections
Pg 4 - If Fixture ordered with RMB option (Remote Power Supply Box)



Drawing: 762008XX

Rev: C

Sheet: 1 of 4

Eng: MJH

Date Drawn: 09/11/15

! When using electrical equipment, basic safety precautions should always be followed, including the following:

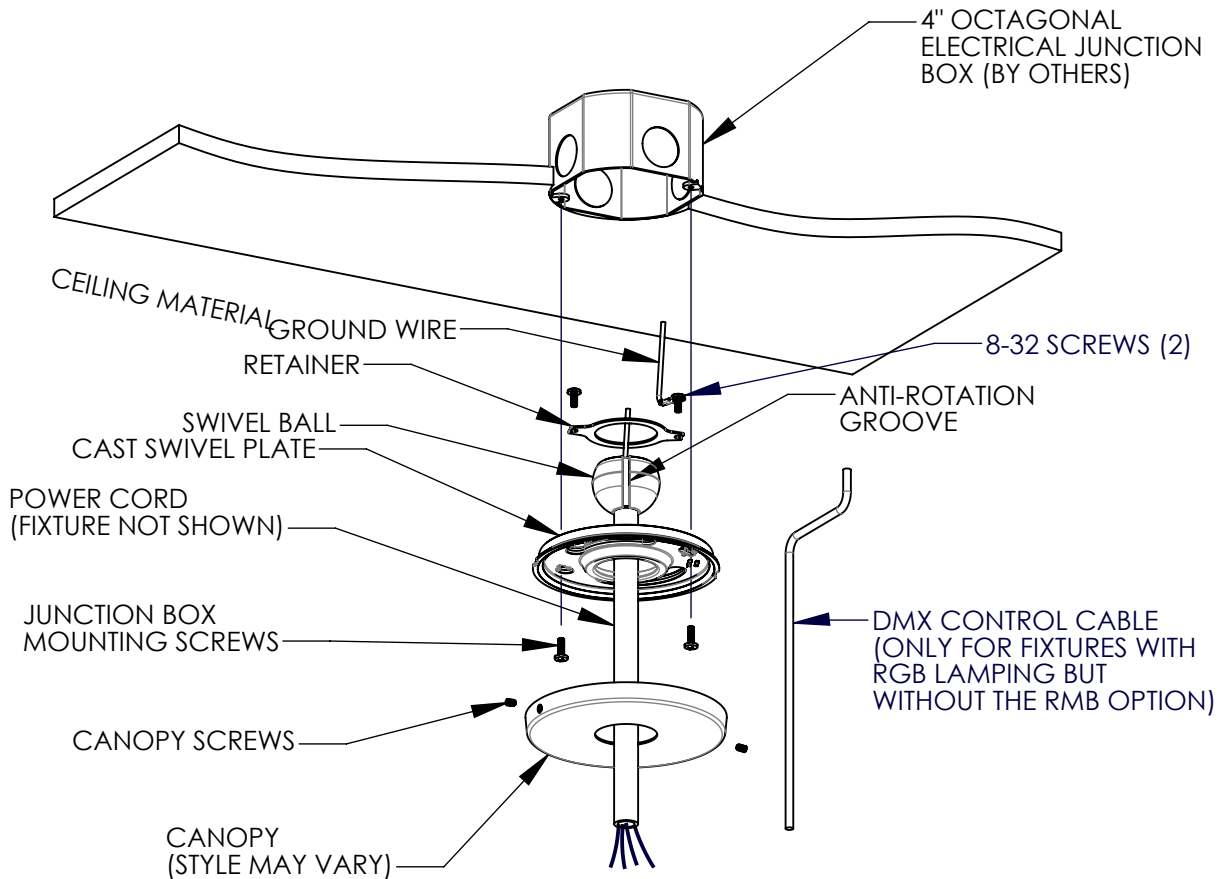
- Read all instructions carefully before installing and save for future use.
- Make sure all connections are in accordance with the National Electrical Code and local regulations.
- To avoid possible electric shock, be sure the power supply is turned off before servicing or installing the fixture.
- Service should be performed by qualified personnel.
- These instructions may not cover all details or variations. If additional information is needed, please contact Visa Lighting.

INSTALLATION INSTRUCTIONS

Model: **CP2020, CP2022, CP2024**
Fixture Family: **SEQUENCE LED**
Document Description: Installation Instructions for SEQUENCE
LED Series Luminaires

VISA LIGHTING
AN OLDENBURG GROUP COMPANY
1717 West Civic Drive Milwaukee, WI 53209
414-354-6600
Design Modification Rights Reserved
© Visa Lighting

Standard shipment with with cord and canopy attached to fixture.



Instructions -

- 1) Depending on the length of screws supplied with the junction box (by others), you may need to use the longer screws provided.
- 2) Fasten Cast Swivel Plate to junction box with 8-32 screws.
- 3) Make all wire connections per local and national codes.
- 4) Lift canopy in place and secure with screws provided.
- 5) If your installation requires the DMX control cable, it must be routed outside the junction box due to the low voltage class of the cable.

When using electrical equipment, basic safety precautions should always be followed, including the following:

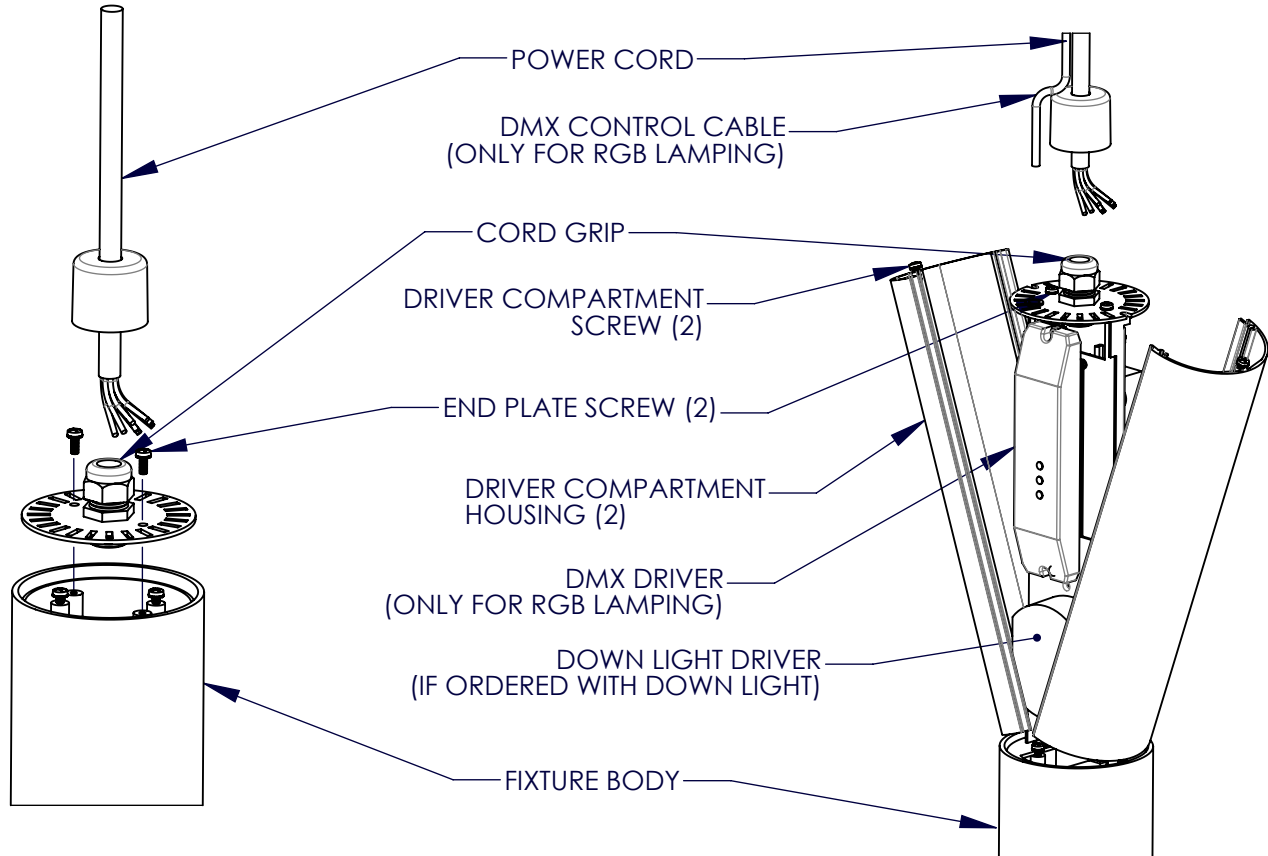
- Read all instructions carefully before installing and save for future use.
- Make sure all connections are in accordance with the National Electrical Code and local regulations.
- To avoid possible electric shock, be sure the power supply is turned off before servicing or installing the fixture.
- Service should be performed by qualified personnel.
- These instructions may not cover all details or variations. If additional information is needed, please contact Visa Lighting.

INSTALLATION INSTRUCTIONS

Model: **CP2020, CP2022, CP2024**
Fixture Family: **SEQUENCE LED**
Document Description: Installation Instructions for SEQUENCE
LED Series Luminaires

VISA LIGHTING
AN OLDENBURG GROUP COMPANY
1717 West Civic Drive Milwaukee, WI 53209
414-354-6600
Design Modification Rights Reserved
© Visa Lighting

If mounting hardware is shipped ahead for installation before fixture arrives.



FIXTURE WITH -RMB OPTION (REMOTE POWER BOX)

INSTRUCTIONS

- 1) Determine the height fixture will hang by holding fixture along side Power Cord
- 2) As a reference, make a mark on the Power Cord Jacket where the top of the Cord Grip would be
- 3) Remove the End Plate Screws and End Plate Assembly
- 4) Slide Power Cord thru Decorative Cup and thru End Plate Assembly
- 5) At the location marked in Step 2, secure the End Plate Assembly with Cord Grip
- 6) Trim and strip Power Cord if needed
- 7) Support Fixture Body and make appropriate connections
- 8) Secure End Plate Assembly back onto Fixture Body

STANDARD FIXTURE WITH INTEGRAL DRIVER(S)

INSTRUCTIONS

- 1) Determine the height fixture will hang by holding fixture along side Power Cord
- 2) as a reference, make a mark on the Power Cord jacket where the top of the Cord Grip would be
- 3) Loosen but do not remove the Driver Compartment Screws
- 4) Tilt out and remove Driver Compartment Housings
- 5) Slide Power Cord thru Decorative Cup and thru Cord Grip and at the location marked in step 2, secure the Cord with the Cord Grip. (Trim and Strip Power Cord if needed)
- 6) Make appropriate connections per local and national codes
- 7) Secure Driver Compartment Housing back in place

When using electrical equipment, basic safety precautions should always be followed, including the following:

- Read all instructions carefully before installing and save for future use.
- Make sure all connections are in accordance with the National Electrical Code and local regulations.
- To avoid possible electric shock, be sure the power supply is turned off before servicing or installing the fixture
- Service should be performed by qualified personnel.
- These instructions may not cover all details or variations. If additional information is needed, please contact Visa Lighting.

Drawing: 762008XX

Rev: C

Sheet: 3 of 4

Eng: MJH

Date Drawn: 09/11/15

INSTALLATION INSTRUCTIONS

Model: **CP2020, CP2022, CP2024**
Fixture Family: **SEQUENCE LED**
Document Description: Installation Instructions for SEQUENCE
LED Series Luminaires

VISA LIGHTING
AN OLDENBURG GROUP COMPANY
1717 West Civic Drive Milwaukee, WI 53209
414-354-6600
Design Modification Rights Reserved
© Visa Lighting

Power Cord Connections

9-CONDUCTOR POWER CORD

GREEN: GROUND Lead
WHITE: COMMON Line Voltage Lead
BLACK: HOT Line Voltage Lead for White LED Body Light
BLACK/WHITE: HOT Line Voltage Lead for Optional Downlight
BROWN: HOT Line Voltage Lead for Optional RGB LED Body Light
VIOLET: 0-10V DIM for Body Light
GREY: 0-10V DIM for Body Light
VIOLET/WHITE: 0-10V DIM for Downlight
GREY/WHITE: 0-10V DIM for Downlight

5-CONDUCTOR POWER CORD

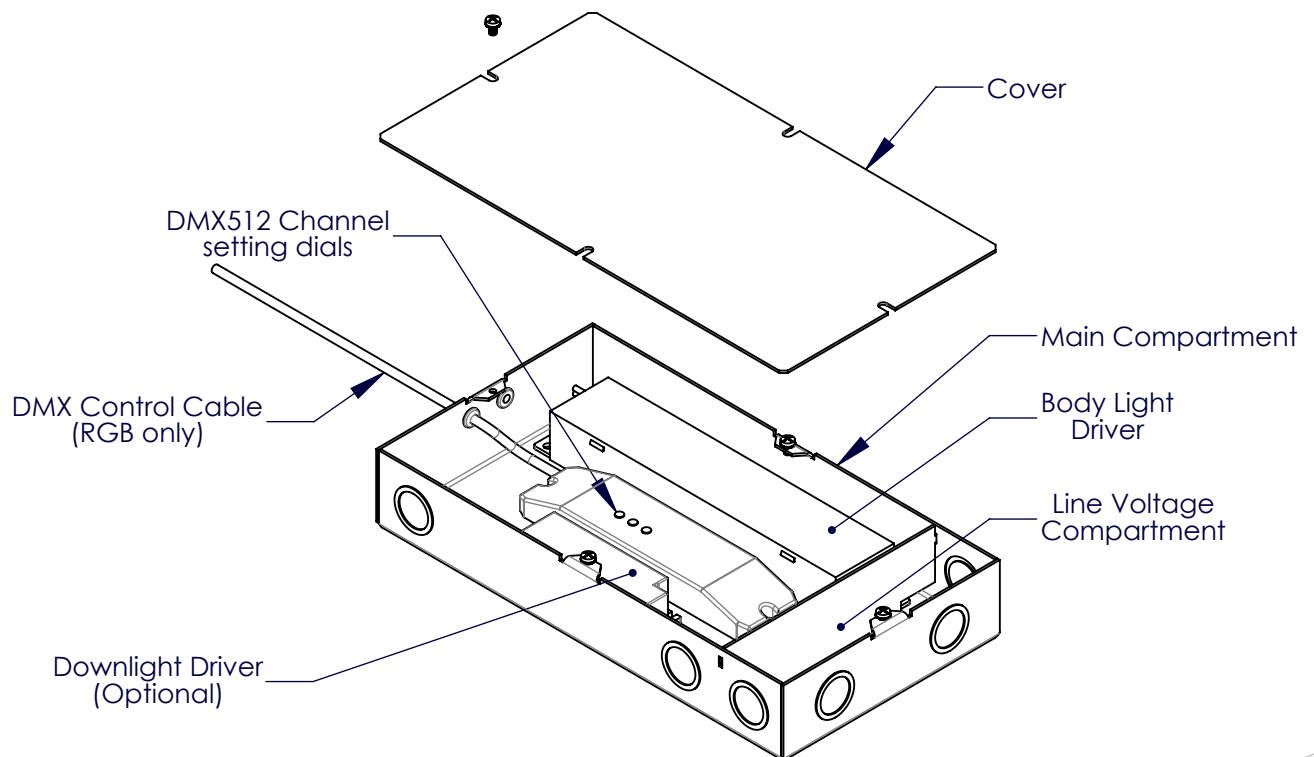
GREEN: GROUND Lead
WHITE: COMMON Line Voltage Lead
BLACK: HOT Line Voltage Lead
for White LED Body Light
BLUE: 0-10V DIM For Body Light
RED: 0-10V DIM For Body Light

RMB Option, Remote Power Supply Box

INSTRUCTIONS

Configuration shown illustrates fixture with RGB Body and White LED Downlight. Components may vary depending on options ordered.

1. Remove Cover by removing the (4) Cover Screws
2. Mount Remote Box in an accessible area per local and national codes, use fasteners appropriate for the mounting surface (not included)
3. Make line voltage connections in Line voltage Compartment
4. Make remaining class II output connections in the main compartment



When using electrical equipment, basic safety precautions should always be followed, including the following:

- Read all instructions carefully before installing and save for future use.
- Make sure all connections are in accordance with the National Electrical Code and local regulations.
- To avoid possible electric shock, be sure the power supply is turned off before servicing or installing the fixture.
- Service should be performed by qualified personnel.
- These instructions may not cover all details or variations. If additional information is needed, please contact Visa Lighting.

Drawing: 762008XX

Rev: C

Sheet: 4 of 4

Eng: MJH

Date Drawn: 09/11/15