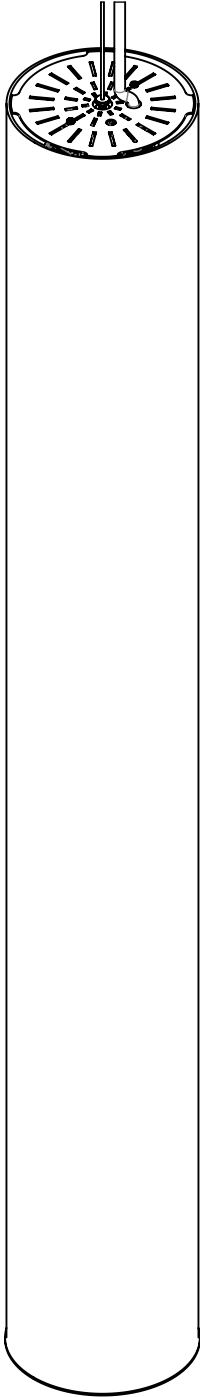


INSTALLATION INSTRUCTIONS

Model: **CP2046, CP2060, CP2062**
Fixture Family: **SEQUENCE**
Document Description: Installation Instructions for
LED Series Luminaires

 **VISA LIGHTING**
AN OLDENBURG GROUP COMPANY
1717 West Civic Drive Milwaukee, WI 53209
414-354-6600
Design Modification Rights Reserved
© Visa Lighting 2014



SEQUENCE LED

CP2046

CP2060

CP2062

SPECIAL NOTE: INSTRUCTION PACKET HAS MULTIPLE PAGES, READ CAREFULLY AS INSTRUCTIONS MAY DIFFER DEPENDING ON OPTIONS ORDERED

Pg 2 - Standard shipment with power cord attached to fixture

Pg 3 - General Maintenance features - access to internal components

Pg 4 - If mounting hardware is shipped ahead for installation before fixture arrives

Pg 5 - Heavy Duty Mounting Yoke Installation

Drawing: 762023XX

Rev: E

Sheet: 1 of 5

Eng: MJH

Date Drawn: 4/15/15

! When using electrical equipment, basic safety precautions should always be followed, including the following:

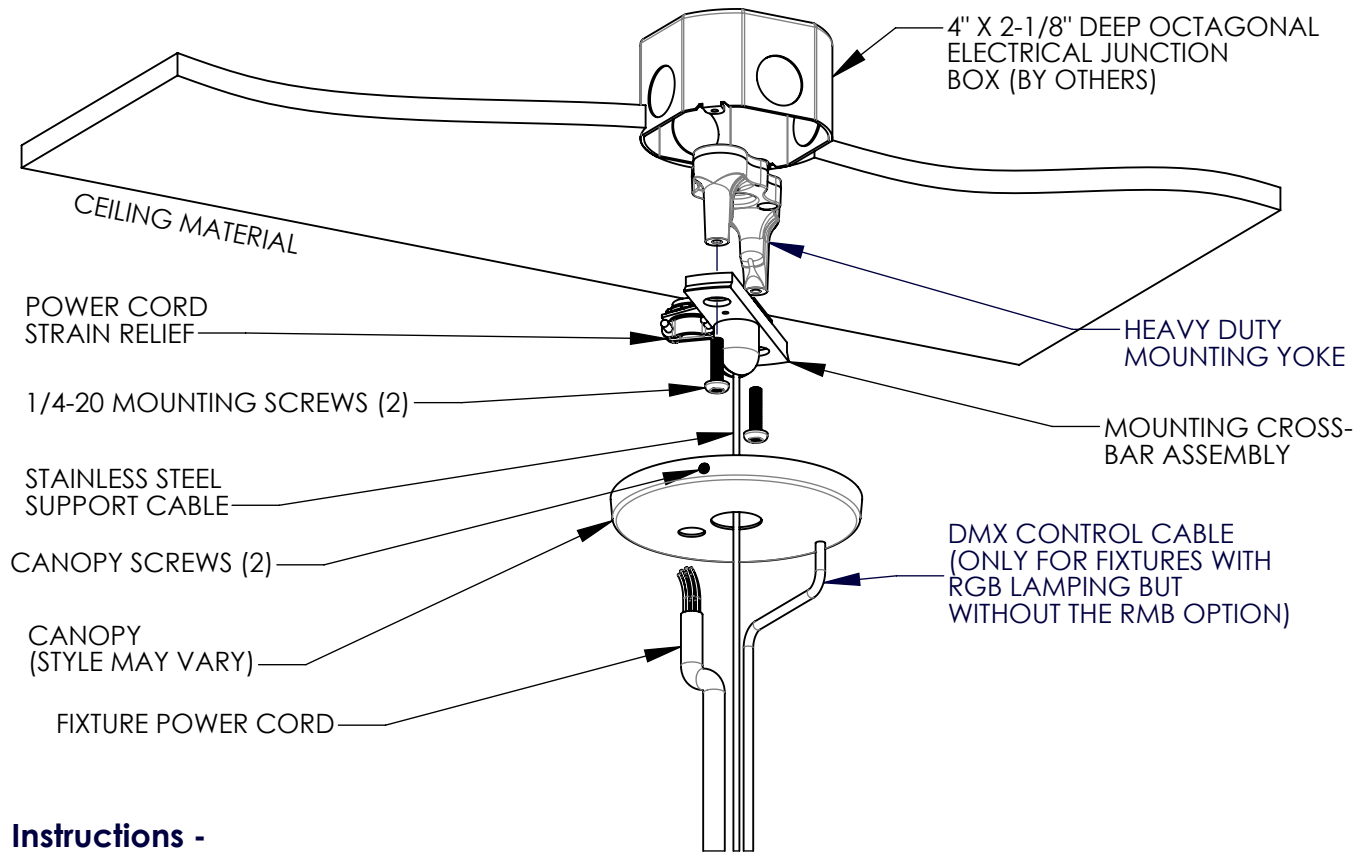
- Read all instructions carefully before installing and save for future use.
- Make sure all connections are in accordance with the National Electrical Code and local regulations.
- To avoid possible electric shock, be sure the power supply is turned off before servicing or installing the fixture.
- Service should be performed by qualified personnel.
- These instructions may not cover all details or variations. If additional information is needed, please contact Visa Lighting.

INSTALLATION INSTRUCTIONS

Model: **CP2046, CP2060, CP2062**
 Fixture Family: **SEQUENCE**
 Document Description: Installation Instructions for
 LED Series Luminaires

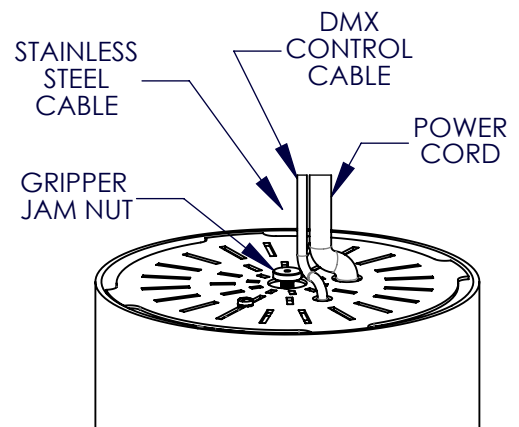
VISA LIGHTING
 AN OLDENBURG GROUP COMPANY
 1717 West Civic Drive Milwaukee, WI 53209
 414-354-6600
 Design Modification Rights Reserved
 © Visa Lighting 2014

Standard shipment with cord attached to fixture.



Instructions -

- 1) See Page 5 for installation of Heavy Duty Mounting Yoke to building structure.
- 2) Fasten Mounting Cross-Bar Assembly to Heavy Duty Mounting Yoke with screws provided.
- 2) Making sure Stainless Steel Cable and power cord are passing through their respective holes in the Canopy, lift Fixture up and insert Stainless Steel Cable into Cable Gripper at top of Fixture Body. (See detail at right)
- 3) At the Mounting Cross-Bar Assembly, insert Fixture Power Cord.
- 4) Make final adjustments to the fixture height and secure the Power Cord with Strain Relief and secure Stainless Steel Cable at Cable Gripper by tightening Jam Nut.
- 5) Make all wire connections per local and national codes. (see page 4 for typical wire color scheme)
- 6) Lift Canopy in place and secure with screws provided.
- 7) If your installation requires the DMX Control Cable, it must be routed outside the junction box due to the low voltage class of the cable.



TOP OF FIXTURE BODY

Drawing: 762023XX

Rev: E

Sheet: 2 of 5

Eng: MJH

Date Drawn: 4/15/15



When using electrical equipment, basic safety precautions should always be followed, including the following:

- Read all instructions carefully before installing and save for future use.
- Make sure all connections are in accordance with the National Electrical Code and local regulations.
- To avoid possible electric shock, be sure the power supply is turned off before servicing or installing the fixture.
- Service should be performed by qualified personnel.

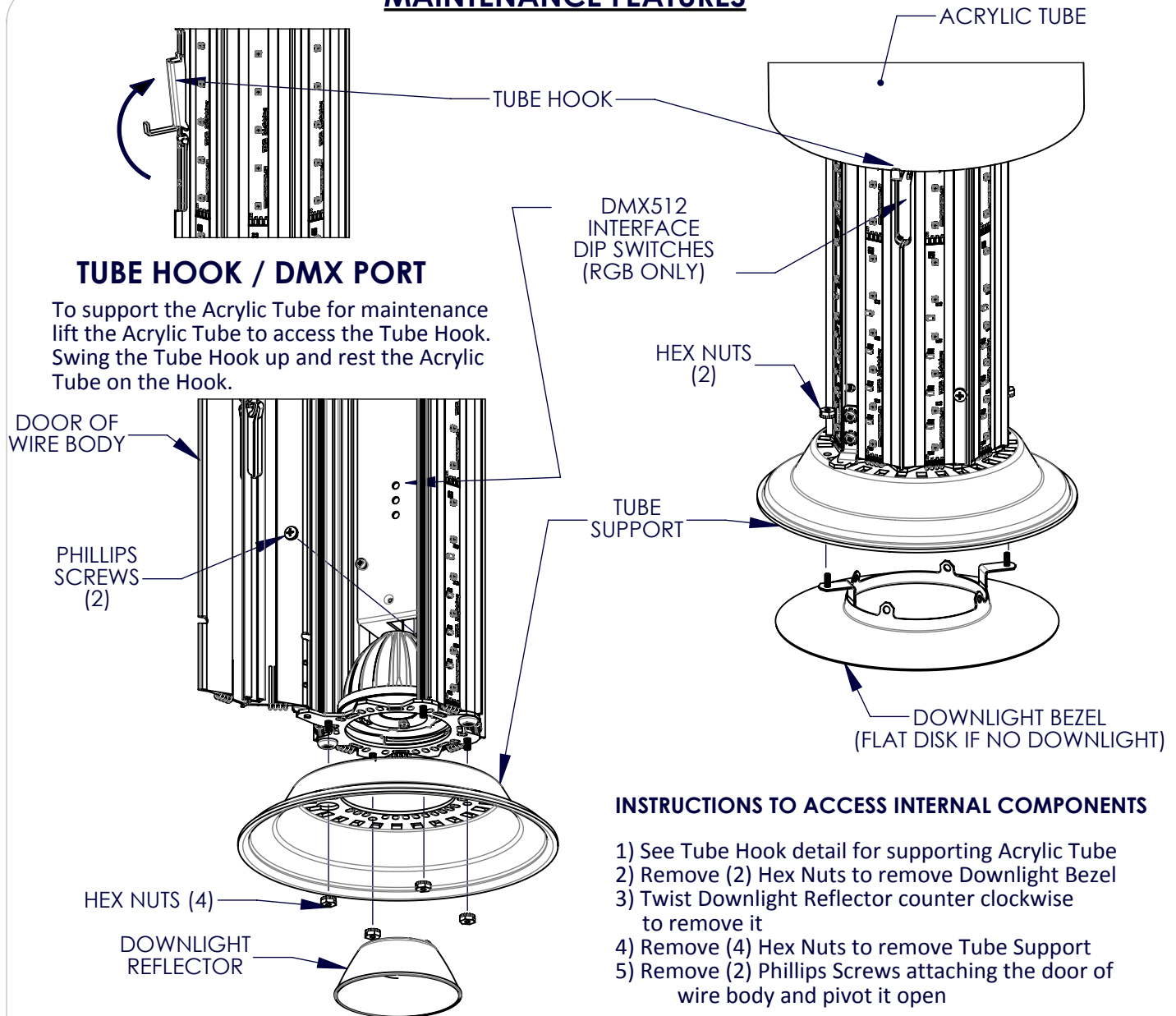
• These instructions may not cover all details or variations. If additional information is needed, please contact Visa Lighting.

INSTALLATION INSTRUCTIONS

Model: **CP2046, CP2060, CP2062**
Fixture Family: **SEQUENCE**
Document Description: Installation Instructions for
LED Series Luminaires

VISA LIGHTING
AN OLDENBURG GROUP COMPANY
1717 West Civic Drive Milwaukee, WI 53209
414-354-6600
Design Modification Rights Reserved
© Visa Lighting 2014

MAINTENANCE FEATURES



DMX-CONTROL INSTRUCTIONS (RGB LEDS ONLY)

1. See VisaLighting.com/DMXguide for further details on installing a DMX system.
2. To RDM address turn switch 11 ON and switch 10 OFF (Default).
3. To manually address with the DIP switches turn switch 10 and 11 OFF and use 'Chart B-Euro DMX 512' to address. Available at VisaLighting.com/DMXchartB. Example: (Ch# =Dip Switch ON) (1= 0) (4= 1, 2) (7= 2, 3) (512= 1, 2, 3, 4, 5, 6, 7, 8, 9).
4. While this controller will take a set of 4 DMX addresses – only 3 DMX addresses are being used so the fixtures can be addressed in groups of 3.

When using electrical equipment, basic safety precautions should always be followed, including the following:

- Read all instructions carefully before installing and save for future use.
- Make sure all connections are in accordance with the National Electrical Code and local regulations.
- To avoid possible electric shock, be sure the power supply is turned off before servicing or installing the fixture
- Service should be performed by qualified personnel.
- These instructions may not cover all details or variations. If additional information is needed, please contact Visa Lighting.

INSTALLATION INSTRUCTIONS

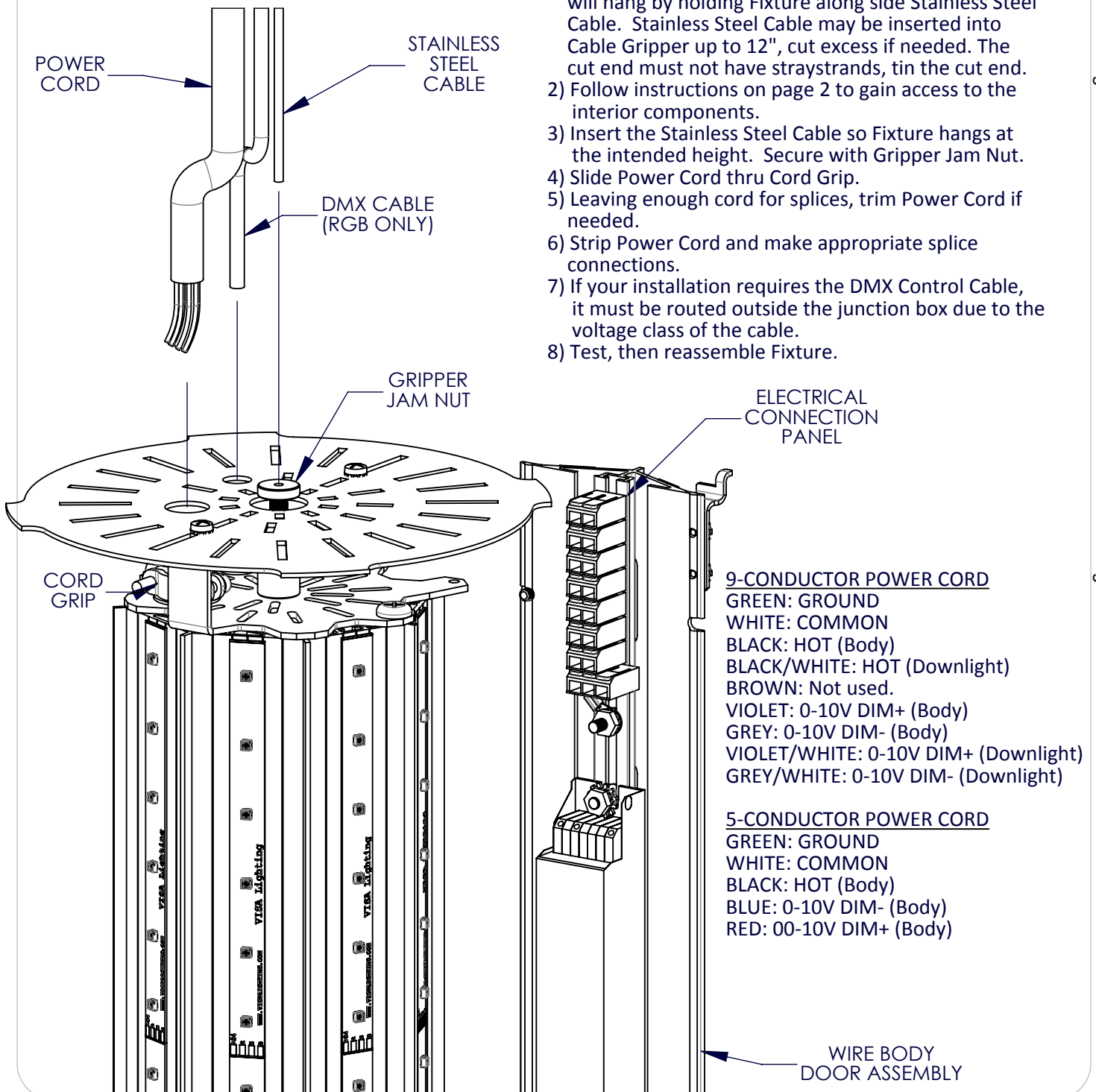
Model: **CP2046, CP2060, CP2062**
 Fixture Family: **SEQUENCE**
 Document Description: Installation Instructions for
 LED Series Luminaires

VISA LIGHTING
 AN OLDENBURG GROUP COMPANY
 1717 West Civic Drive Milwaukee, WI 53209
 414-354-6600
 Design Modification Rights Reserved
 © Visa Lighting 2014

PRE-INSTALLED CABLE AND CORDS

INSTRUCTIONS

- 1) Preparation: Determine the height the Fixture will hang by holding Fixture along side Stainless Steel Cable. Stainless Steel Cable may be inserted into Cable Gripper up to 12", cut excess if needed. The cut end must not have stray strands, tin the cut end.
- 2) Follow instructions on page 2 to gain access to the interior components.
- 3) Insert the Stainless Steel Cable so Fixture hangs at the intended height. Secure with Gripper Jam Nut.
- 4) Slide Power Cord thru Cord Grip.
- 5) Leaving enough cord for splices, trim Power Cord if needed.
- 6) Strip Power Cord and make appropriate splice connections.
- 7) If your installation requires the DMX Control Cable, it must be routed outside the junction box due to the voltage class of the cable.
- 8) Test, then reassemble Fixture.



Drawing: 762023XX

Rev: E

Sheet: 4 of 5

Eng: MJH

Date Drawn: 4/15/15

! When using electrical equipment, basic safety precautions should always be followed, including the following:

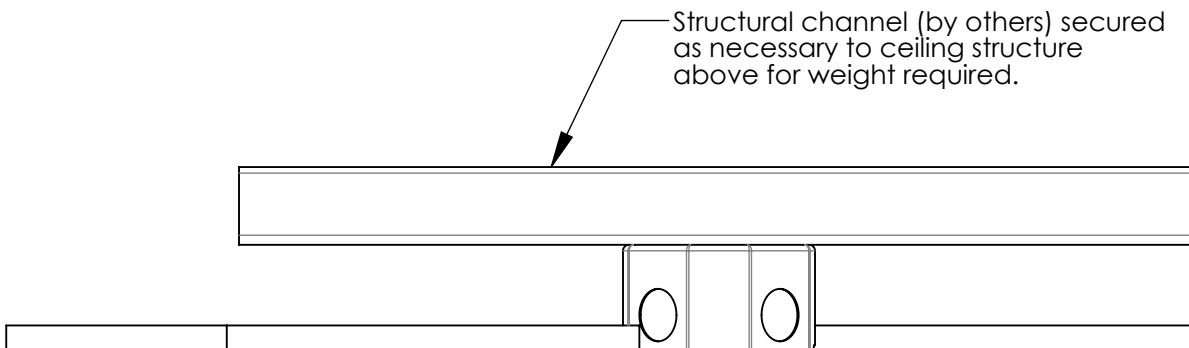
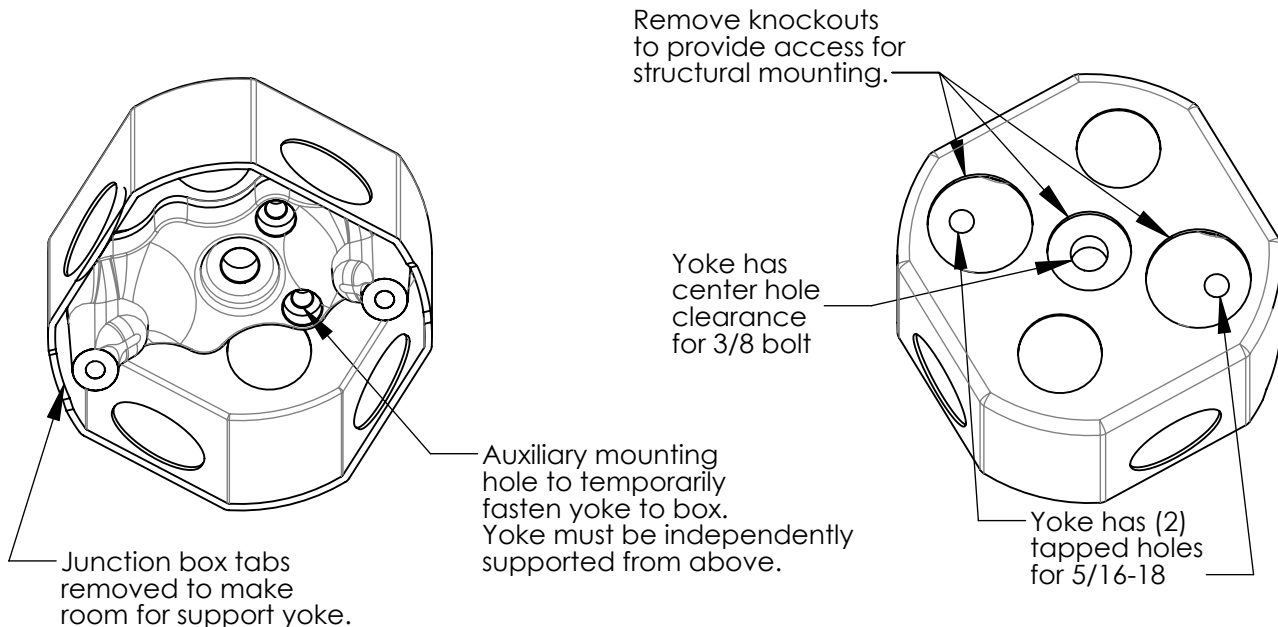
- Read all instructions carefully before installing and save for future use.
- Make sure all connections are in accordance with the National Electrical Code and local regulations.
- To avoid possible electric shock, be sure the power supply is turned off before servicing or installing the fixture.
- Service should be performed by qualified personnel.
- These instructions may not cover all details or variations. If additional information is needed, please contact Visa Lighting.

INSTALLATION INSTRUCTIONS

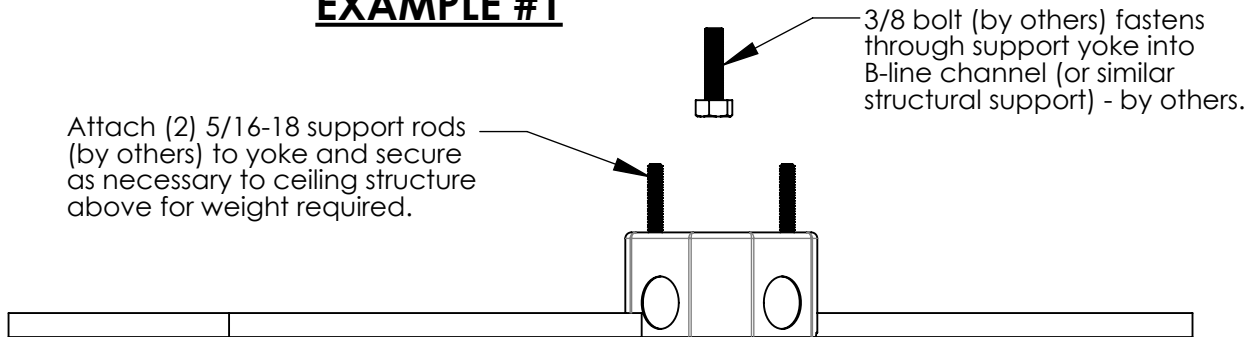
Model: **CP2046, CP2060, CP2062**
Fixture Family: **SEQUENCE**
Document Description: Installation Instructions for
LED Series Luminaires

VISA LIGHTING
AN OLDENBURG GROUP COMPANY
1717 West Civic Drive Milwaukee, WI 53209
414-354-6600
Design Modification Rights Reserved
© Visa Lighting 2014

Heavy Duty Mounting Yoke Installation



EXAMPLE #1



EXAMPLE #2

- !** When using electrical equipment, basic safety precautions should always be followed, including the following:
- Read all instructions carefully before installing and save for future use.
 - Make sure all connections are in accordance with the National Electrical Code and local regulations.
 - To avoid possible electric shock, be sure the power supply is turned off before servicing or installing the fixture.
 - Service should be performed by qualified personnel.
 - These instructions may not cover all details or variations. If additional information is needed, please contact Visa Lighting.

Drawing: 762023XX

Rev: E

Sheet: 5 of 5

Eng: MJH

Date Drawn: 4/15/15