

INSTALLATION INSTRUCTIONS

Model: **PASSAGE**
Fixture Family: **OW2482, OW2486**
Document Description: Installation Instructions for
Passage Series Luminaires

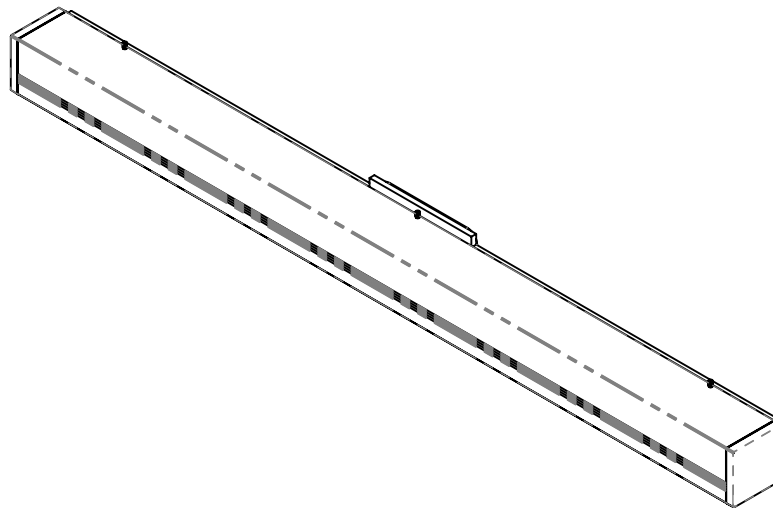
TABLE OF CONTENTS

SHEET 2: 2x4 JUNCTION BOX WITH RECTANGULAR TRANSITION PLATE

SHEET 3: 2x4 JUNCTION BOX WITH ROUND TRANSITION PLATE

SHEET 4: 2x4 STANDARD JUNCTION BOX

SHEET 5: OCTAGON JUNCTION BOX (WITH JUNCTION BOX COVER)



*NOTE: INSTALLATION INSTRUCTIONS ARE FOR 3FT AND 6FT VERSIONS

3FT FIXTURE SHOWN

Drawing: 762027XX

Rev: B

Sheet: 1 of 5

Eng: CLD

Date Drawn: 06/01/15

When using electrical equipment, basic safety precautions should always be followed, including the following:

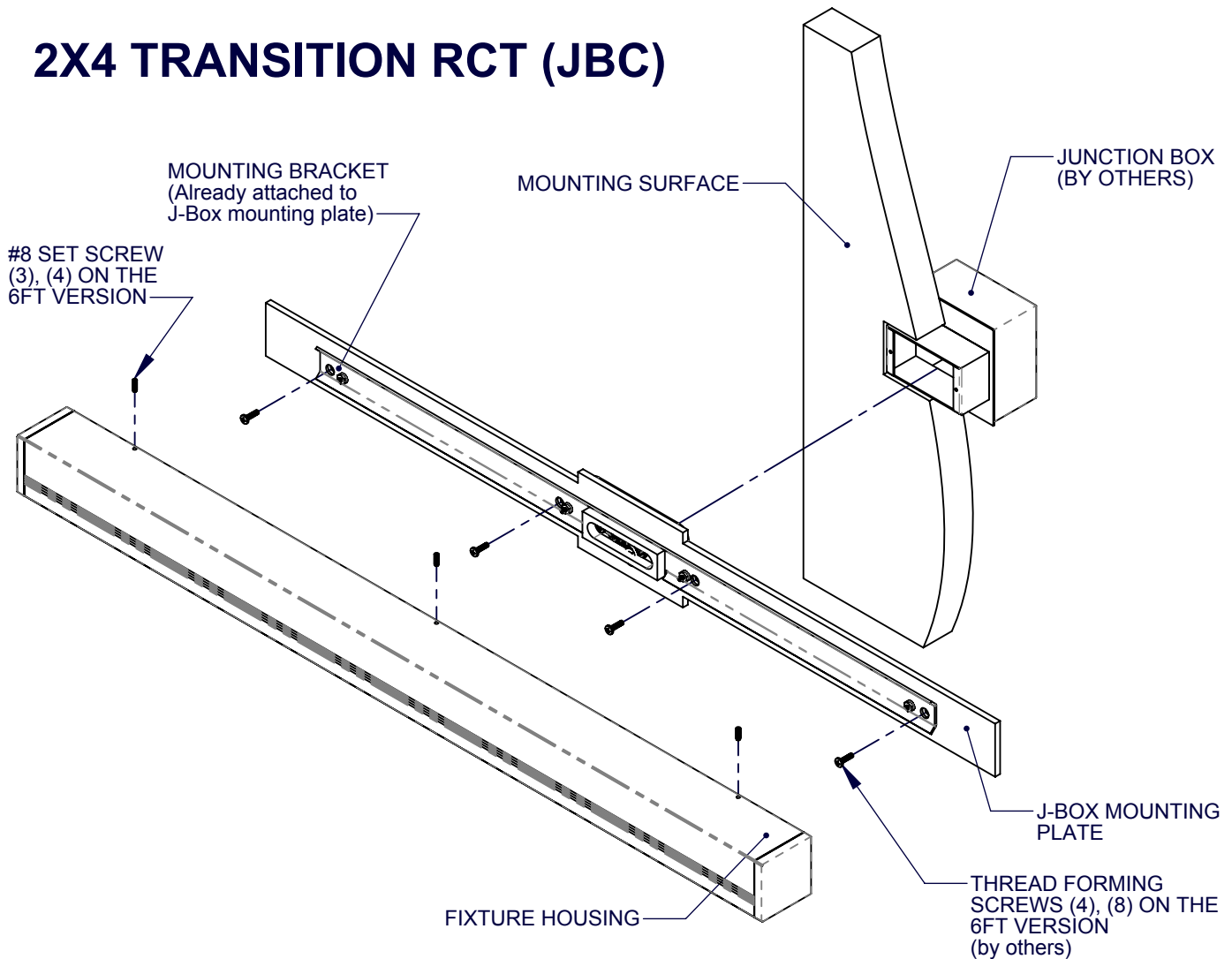
- Read all instructions carefully before installing and save for future use.
- Make sure all connections are in accordance with the National Electrical Code and local regulations.
- To avoid possible electric shock, be sure the power supply is turned off before servicing or installing the fixture.
- Service should be performed by qualified personnel.
- These instructions may not cover all details or variations. If additional information is needed, please contact Visa Lighting.

INSTALLATION INSTRUCTIONS

Model: **PASSAGE**
Fixture Family: **OW2482, OW2486**
Document Description: Installation Instructions for
Passage Series Luminaires

VISA LIGHTING
AN OLDENBURG GROUP COMPANY
1717 West Civic Drive Milwaukee, WI 53209
414-354-6600
Design Modification Rights Reserved
© Visa Lighting

2X4 TRANSITION RCT (JBC)



1. Loosen #8 set screws (3), (4) #8 set screws on the 6ft version.
2. Remove fixture housing from mounting bracket and J-Box adapter plate.
3. Mount J-Box adapter plate to mounting surface using thread forming screws (4), (8) for the 6ft version, (by others) being careful not to pinch wires.
4. Make all electrical connections per code.
5. Be careful not to pinch wires and re-secure fixture to mounting bracket on wall.
6. Tighten #8 set screws.

For proper wet seal, provide a continuous bead of caulk or silicone at mounting plate when mounting surface is not smooth.

- When using electrical equipment, basic safety precautions should always be followed, including the following:
- Read all instructions carefully before installing and save for future use.
 - Make sure all connections are in accordance with the National Electrical Code and local regulations.
 - To avoid possible electric shock, be sure the power supply is turned off before servicing or installing the fixture.
 - Service should be performed by qualified personnel.
 - These instructions may not cover all details or variations. If additional information is needed, please contact Visa Lighting.

Drawing: 762027XX

Rev: B

Sheet: 2 of 5

Eng: CLD

Date Drawn: 06/01/15

INSTALLATION INSTRUCTIONS



Model: **PASSAGE**
Fixture Family: **OW2482, OW2486**
Document Description: Installation Instructions for
Passage Series Luminaires

1717 West Civic Drive Milwaukee, WI 53209
414-354-6600
Design Modification Rights Reserved
© Visa Lighting

Drawing: 762027XX

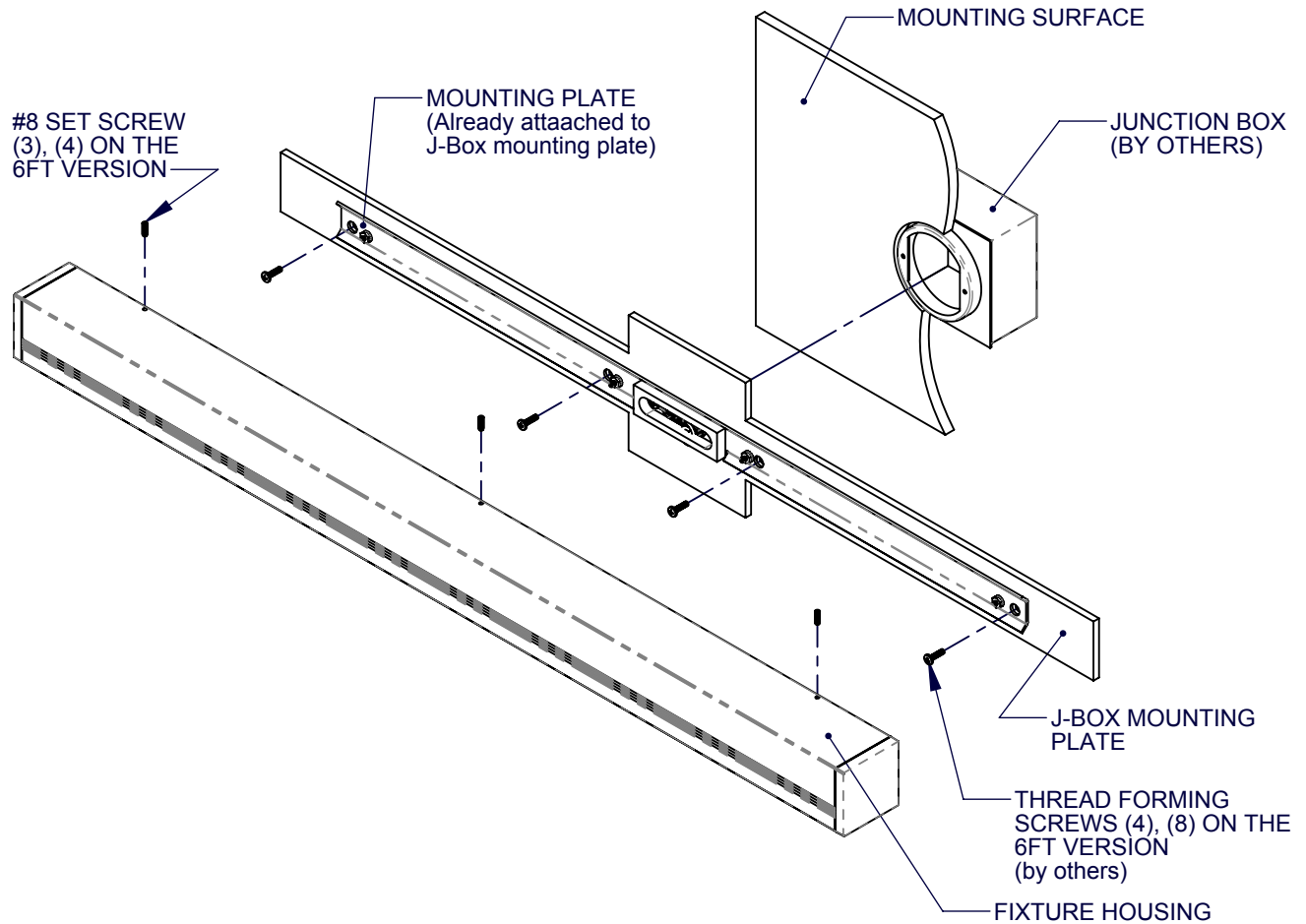
Rev: B

Sheet: 3 of 5

Eng: CLD

Date Drawn: 06/01/15

2X4 TRANSITION RND (JBC)



1. Loosen #8 set screws (3), (4) #8 set screws on the 6ft version.
2. Remove fixture housing from mounting bracket and J-Box adapter plate.
3. Mount J-Box adapter plate to mounting surface using thread forming screws (4), (8) for the 6ft version, (by others) being careful not to pinch wires.
4. Make all electrical connections per code.
5. Be careful not to pinch wires and re-secure fixture to mounting bracket on wall.
6. Tighten #8 set screws.

For proper wet seal, provide a continuous bead of caulk or silicone at mounting plate when mounting surface is not smooth.



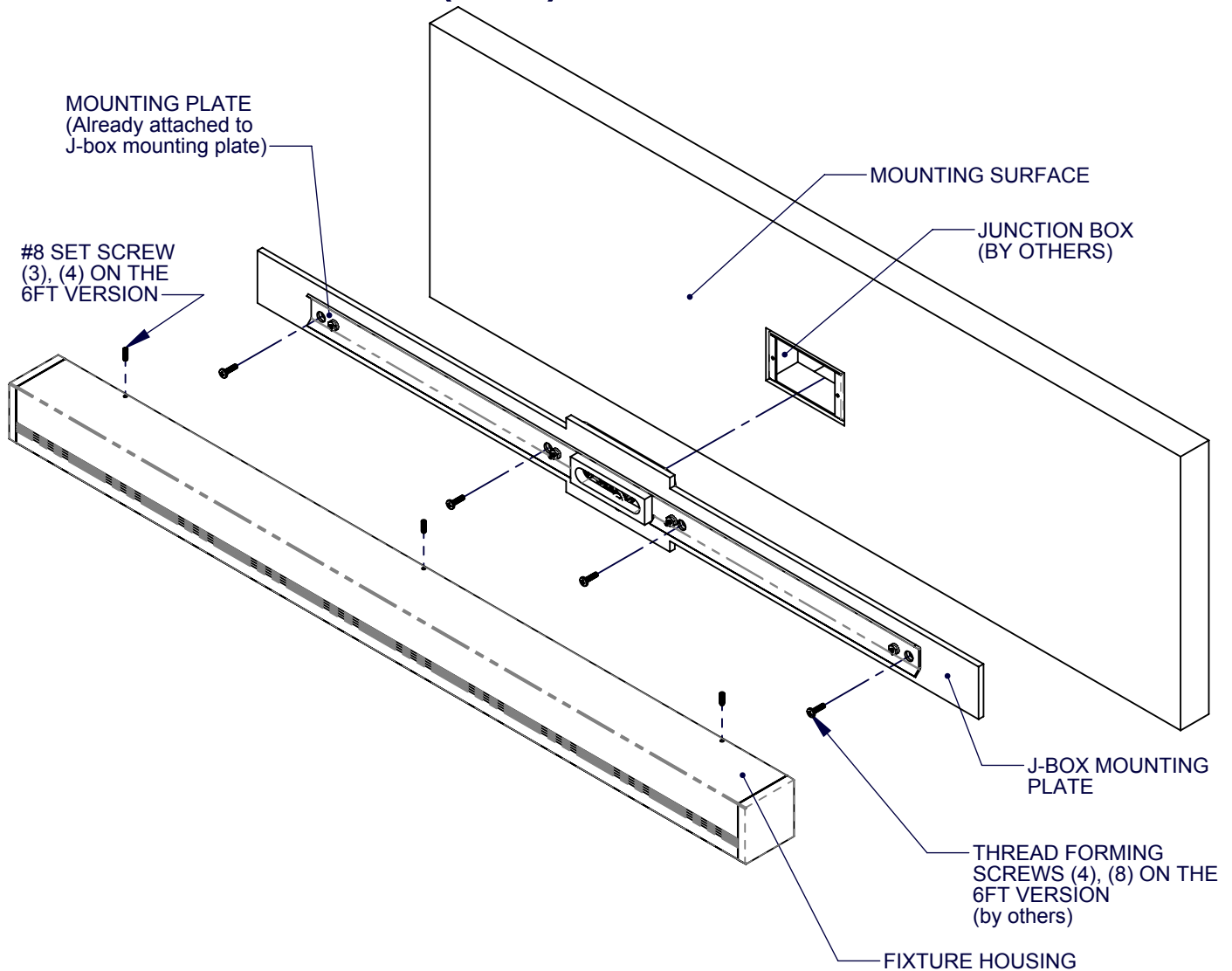
When using electrical equipment, basic safety precautions should always be followed, including the following:

- Read all instructions carefully before installing and save for future use.
- Make sure all connections are in accordance with the National Electrical Code and local regulations.
- To avoid possible electric shock, be sure the power supply is turned off before servicing or installing the fixture.
- Service should be performed by qualified personnel.
- These instructions may not cover all details or variations. If additional information is needed, please contact Visa Lighting.

INSTALLATION INSTRUCTIONS

Model: **PASSAGE**
Fixture Family: **OW2482, OW2486**
Document Description: Installation Instructions for
Passage Series Luminaires

2X4 STANDARD (JBC)



1. Loosen #8 set screws (3), (4) #8 set screws on the 6ft version.
2. Remove fixture housing from mounting bracket and J-Box adapter plate.
3. Mount J-Box adapter plate to mounting surface using thread forming screws (4), (8) for the 6ft version, (by others) being careful not to pinch wires.
4. Make all electrical connections per code.
5. Be careful not to pinch wires and re-secure fixture to mounting bracket on wall.
6. Tighten #8 set screws.

For proper wet seal, provide a continuous bead of caulk or silicone at mounting plate when mounting surface is not smooth.

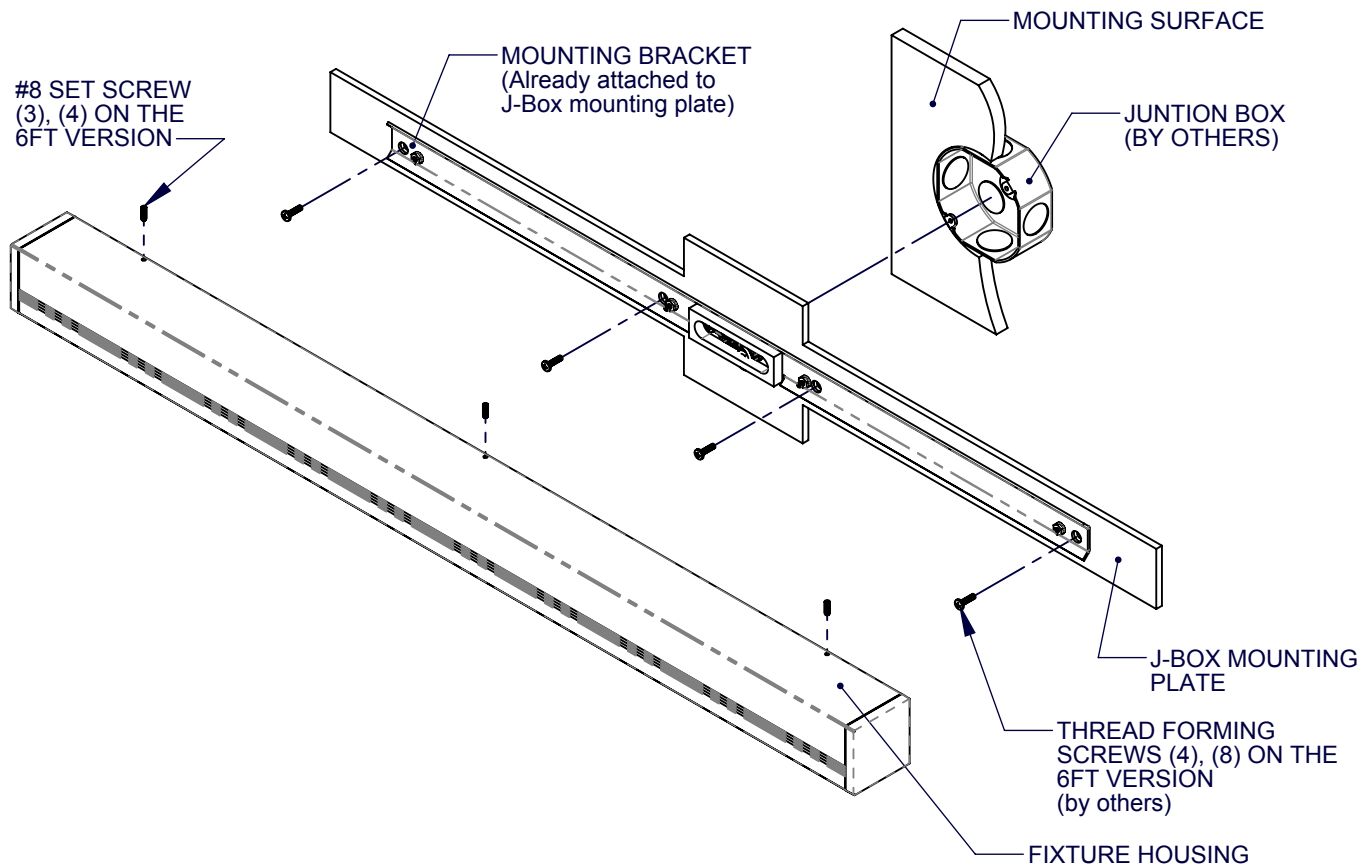
When using electrical equipment, basic safety precautions should always be followed, including the following:

- Read all instructions carefully before installing and save for future use.
- Make sure all connections are in accordance with the National Electrical Code and local regulations.
- To avoid possible electric shock, be sure the power supply is turned off before servicing or installing the fixture.
- Service should be performed by qualified personnel.
- These instructions may not cover all details or variations. If additional information is needed, please contact Visa Lighting.

INSTALLATION INSTRUCTIONS

Model: **PASSAGE**
Fixture Family: **OW2482, OW2486**
Document Description: Installation Instructions for
Passage Series Luminaires

OCTAGON (JBC)



1. Loosen #8 set screws (3), (4) #8 set screws on the 6ft version.
2. Remove fixture housing from mounting bracket and J-Box adapter plate.
3. Mount J-Box adapter plate to mounting surface using thread forming screws (4), (8) for the 6ft version, (by others) being careful not to pinch wires.
4. Make all electrical connections per code.
5. Be careful not to pinch wires and re-secure fixture to mounting bracket on wall.
6. Tighten #8 set screws.

For proper wet seal, provide a continuous bead of caulk or silicone at mounting plate when mounting surface is not smooth.

- When using electrical equipment, basic safety precautions should always be followed, including the following:
- Read all instructions carefully before installing and save for future use.
 - Make sure all connections are in accordance with the National Electrical Code and local regulations.
 - To avoid possible electric shock, be sure the power supply is turned off before servicing or installing the fixture.
 - Service should be performed by qualified personnel.
 - These instructions may not cover all details or variations. If additional information is needed, please contact Visa Lighting.