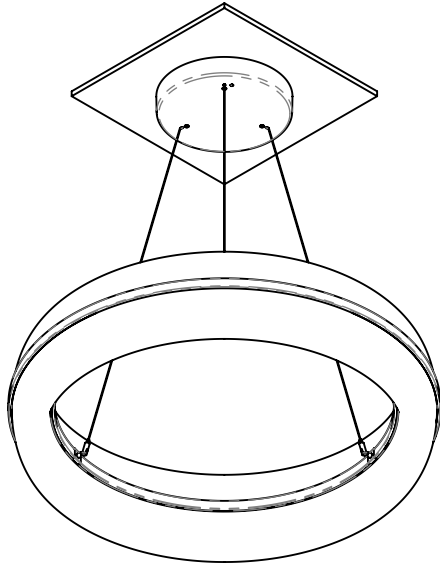


INSTALLATION INSTRUCTIONS

Model: **CP5700, CP5702, CP5704, CP5710, CP5712 & CP5714**
Fixture Family: **MERIDIAN PENDANT**
Document Description: Installation Instructions for Meridian Series Luminaires

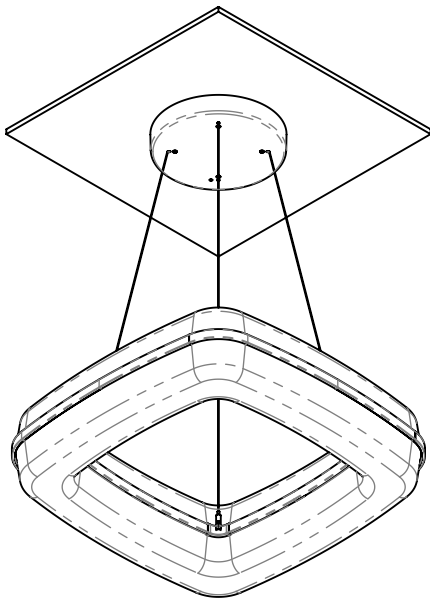
VISA LIGHTING
AN OLDENBURG GROUP COMPANY
1717 West Civic Drive Milwaukee, WI 53209
414-354-6600
Design Modification Rights Reserved
© Visa Lighting



*SIZE MAY VARY

MERIDIAN PENDANT (ROUND)

**CP5700 CP5702
CP5704**



*SIZE MAY VARY

MERIDIAN PENDANT (SQUARE)

**CP5710 CP5712
CP5714**

Drawing: 762035XX

Rev: B

Sheet: 1 of 4

Eng: SLN

Date Drawn: 06/25/15

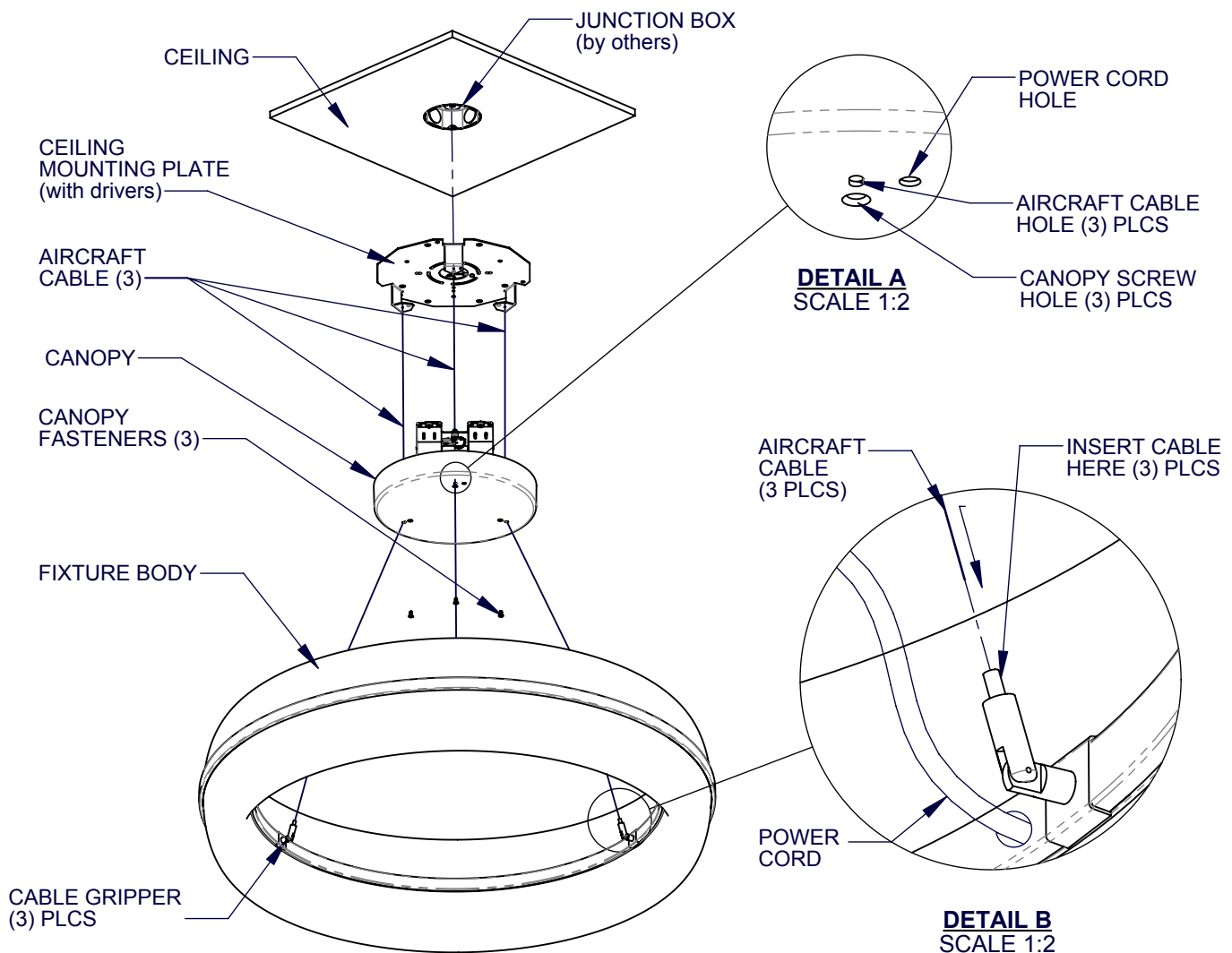
When using electrical equipment, basic safety precautions should always be followed, including the following:

- Read all instructions carefully before installing and save for future use.
- Make sure all connections are in accordance with the National Electrical Code and local regulations.
- To avoid possible electric shock, be sure the power supply is turned off before servicing or installing the fixture.
- Service should be performed by qualified personnel.

• These instructions may not cover all details or variations. If additional information is needed, please contact Visa Lighting.

INSTALLATION INSTRUCTIONS

Model: **CP5700, CP5702, CP5704, CP5710, CP5712 & CP5714**
Fixture Family: **MERIDIAN PENDANT**
Document Description: Installation Instructions for
Meridian Series Luminaires



1. Remove (3) provided canopy fasteners at canopy.
2. Secure ceiling mounting plate to junction box (fasteners by others). See page 3 for more details on installation.
3. Feed aircraft cables from ceiling mounting bracket assembly through appropriate hole in canopy (see detail A).
4. Secure fixture body to aircraft cables from canopy assembly.
5. Feed power cord from fixture body up through appropriate hole in canopy (see detail A), and ceiling mounting bracket. Secure cord with provided wire tie on ceiling mounting bracket.
6. Make electrical connections per code (see wire diagram).
7. Secure canopy to ceiling mounting bracket with provided (3) canopy fasteners.
8. Level fixture body and set fixture body height at cable gripper (see detail B). Cut excess cable once fixture is set into position.

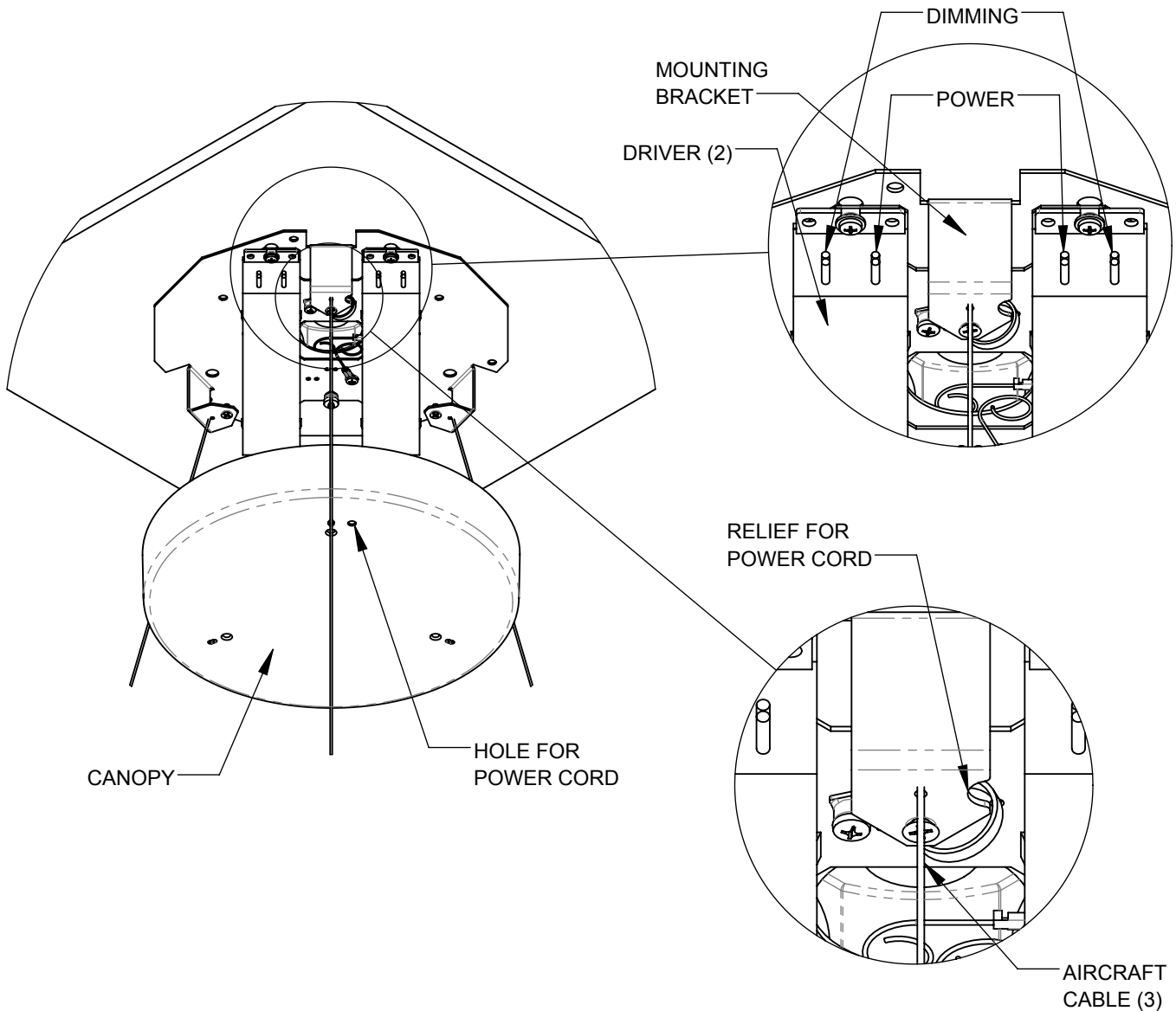
When using electrical equipment, basic safety precautions should always be followed, including the following:

- Read all instructions carefully before installing and save for future use.
- Make sure all connections are in accordance with the National Electrical Code and local regulations.
- To avoid possible electric shock, be sure the power supply is turned off before servicing or installing the fixture.
- Service should be performed by qualified personnel.
- These instructions may not cover all details or variations. If additional information is needed, please contact Visa Lighting.

INSTALLATION INSTRUCTIONS

Model: CP5700, CP5702, CP5704, CP5710, CP5712 & CP5714
Fixture Family: MERIDIAN PENDANT
Document Description: Installation Instructions for Meridian Series Luminaires

VISA LIGHTING
AN OLDENBURG GROUP COMPANY
1717 West Civic Drive Milwaukee, WI 53209
414-354-6600
Design Modification Rights Reserved
© Visa Lighting



IMPORTANT INSTALLATION INSTRUCTION!

When reinstalling the canopy, make sure the relief on the mounting bracket lines up with the power cord coming out of the canopy. Failure to do so, will cause damage to the power cord and could cause an electrical failure of the fixture.

When using electrical equipment, basic safety precautions should always be followed, including the following:

- Read all instructions carefully before installing and save for future use.
- Make sure all connections are in accordance with the National Electrical Code and local regulations.
- To avoid possible electric shock, be sure the power supply is turned off before servicing or installing the fixture.
- Service should be performed by qualified personnel.
- These instructions may not cover all details or variations. If additional information is needed, please contact Visa Lighting.

Drawing: 762035XX

Rev: B

Sheet: 3 of 4

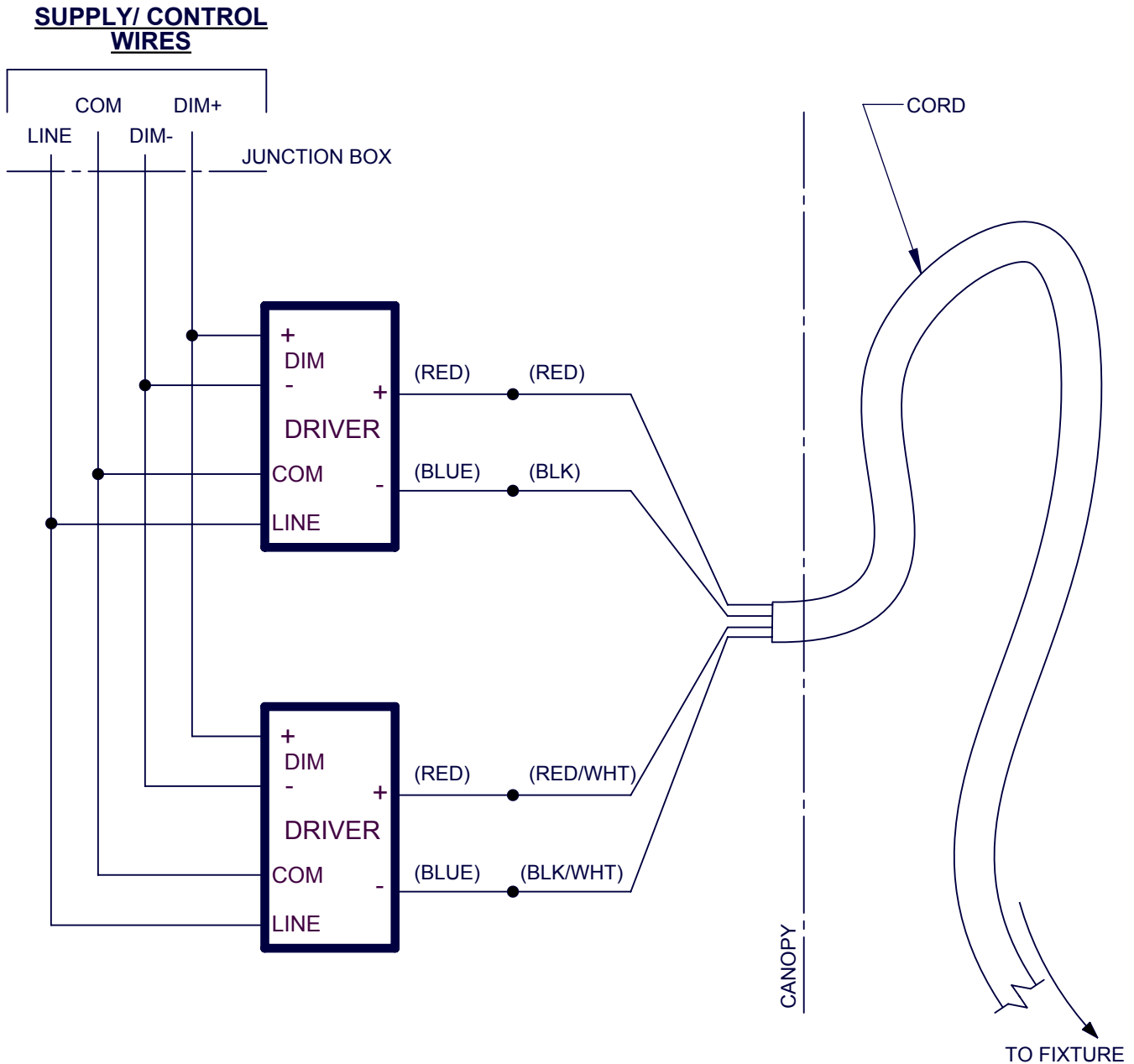
Eng: SLN

Date Drawn: 06/25/15

INSTALLATION INSTRUCTIONS

Model: **CP5700, CP5702, CP5704, CP5710, CP5712 & CP5714**
 Fixture Family: **MERIDIAN PENDANT**
 Document Description: Installation Instructions for Meridian Series Luminaires

WIRING DIAGRAM SUPPLY/DRIVER/CORD



Drawing: 762035XX

Rev: B

Sheet: 4 of 4

Eng: SLN

Date Drawn: 06/25/15



When using electrical equipment, basic safety precautions should always be followed, including the following:

- Read all instructions carefully before installing and save for future use.
- Make sure all connections are in accordance with the National Electrical Code and local regulations.
- To avoid possible electric shock, be sure the power supply is turned off before servicing or installing the fixture.
- Service should be performed by qualified personnel.
- These instructions may not cover all details or variations. If additional information is needed, please contact Visa Lighting.