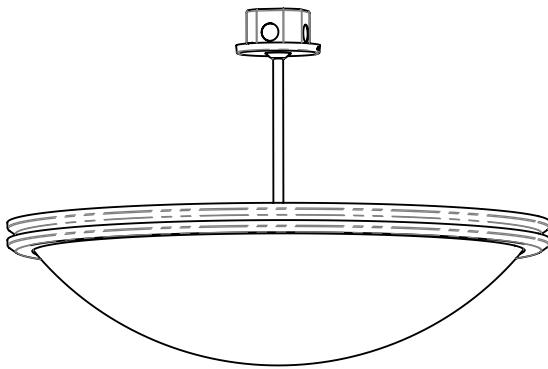


# INSTALLATION INSTRUCTIONS

Model: **CP4061, 4065, 4069, 4151, 4155, 4159, 4211, 4215, 4219**  
Fixture Family: **LED Luminous Bowl Pendants - Stem Mount**  
Document Description: Installation Instructions for  
Fairfax, Carlton, Olympia Series LED Luminaires

**VISA LIGHTING**  
AN OLDENBURG GROUP COMPANY  
1717 West Civic Drive Milwaukee, WI 53209  
414-354-6600  
Design Modification Rights Reserved  
© Visa Lighting



## CARLTON

CP4061  
CP4065  
CP4069

## OLYMPIA

CP4151  
CP4155  
CP4159

## FAIRFAX

CP4211  
CP4215  
CP4219

## TABLE OF CONTENTS

**SHEET 2: SWIVEL HANGER AND STEM INSTALLATION**

**SHEET 3: BOWL/TRIM ATTACHMENT INSTALLATION**

Drawing: 762039XX

Rev: A

Sheet: 1 of 3

Eng: CG2

Date Drawn: 5/23/16

**!** When using electrical equipment, basic safety precautions should always be followed, including the following:

- Read all instructions carefully before installing and save for future use.
- Make sure all connections are in accordance with the National Electrical Code and local regulations.
- To avoid possible electric shock, be sure the power supply is turned off before servicing or installing the fixture.
- Service should be performed by qualified personnel.
- These instructions may not cover all details or variations. If additional information is needed, please contact Visa Lighting.

# INSTALLATION INSTRUCTIONS

Model: **CP4061, 4065, 4069, 4151, 4155, 4159, 4211, 4215, 4219**  
 Fixture Family: **LED Luminous Bowl Pendants - Stem Mount**  
 Document Description: Installation Instructions for  
 Fairfax, Carlton, Olympia Series LED Luminaires

**VISA LIGHTING**  
 AN OLDENBURG GROUP COMPANY  
 1717 West Civic Drive Milwaukee, WI 53209  
 414-354-6600  
 Design Modification Rights Reserved  
 © Visa Lighting

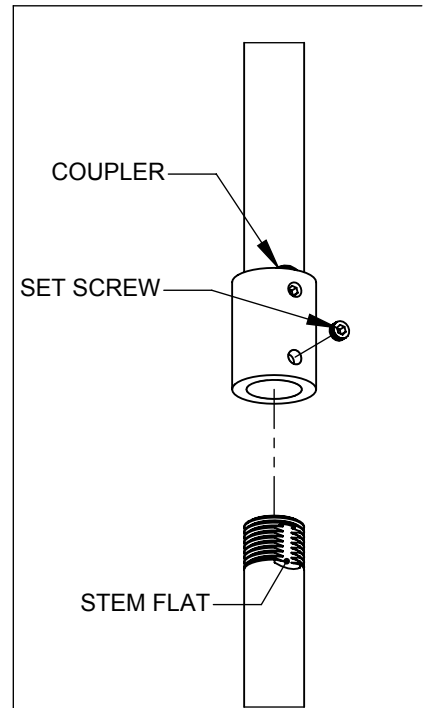
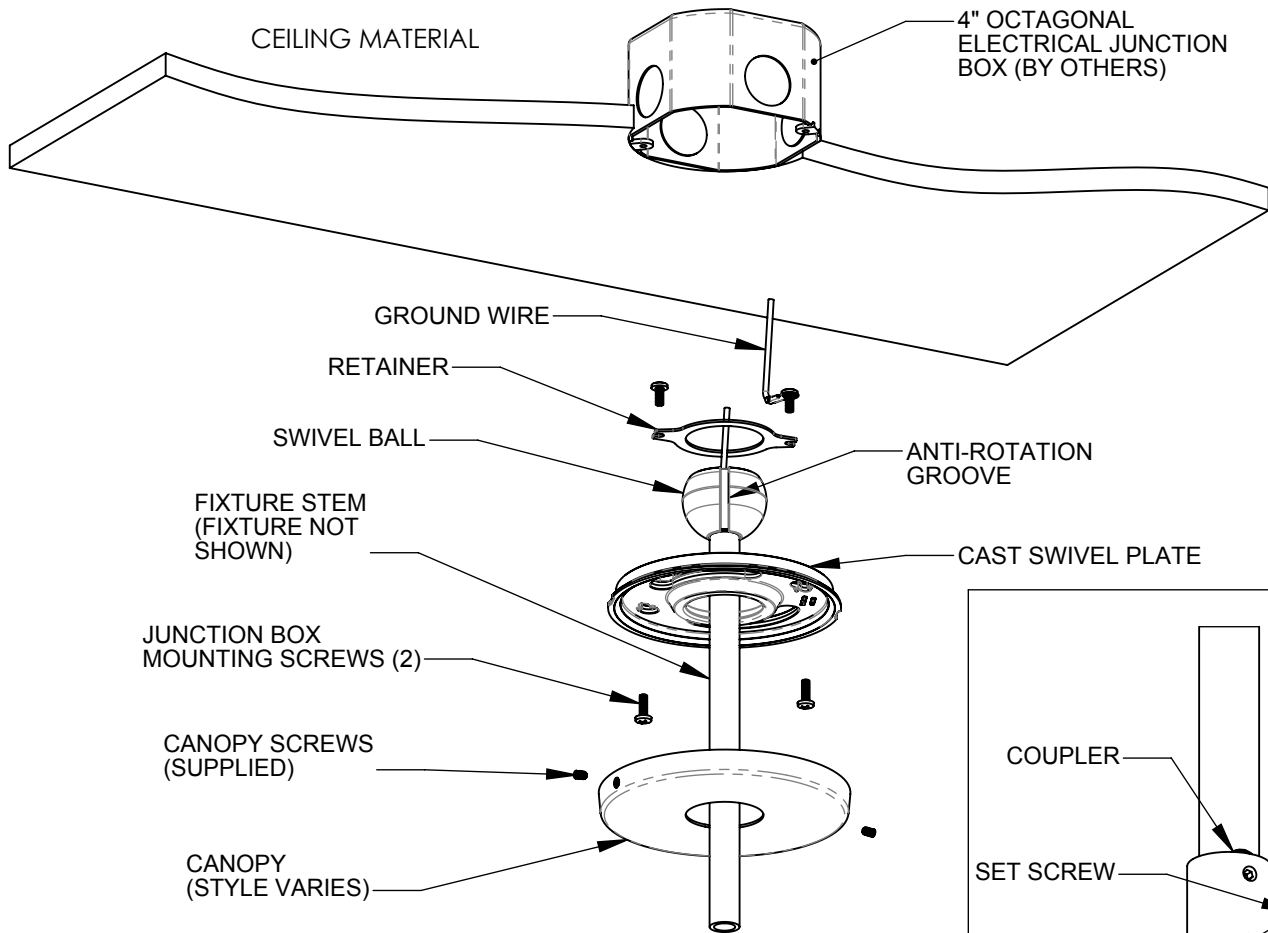
Drawing: 762039XX

Rev: A

Sheet: 2 of 3

Eng: CG2

Date Drawn: 5/23/16



For a longer stem, attach the stem segments with supplied coupler. Align flats on stem to set screws and securely fasten.

## Preparation

Check all instructions with the fixture as some preparation may be necessary before the following steps

## Instructions

1. Depending on the length of screws supplied with the junction box (by others), you may need to use the longer screws provided.
2. Insert swivel ball/stem assembly through cast swivel plate and fasten swivel ball retainer and ground wire with screws provided.
3. Insert stem through canopy, pull fixture wires through stem and securely fasten stem to the fixture.
4. Fasten cast swivel plate to junction box with #8-32 screws provided.
5. Make all wire connections per local and national codes.
6. Lift canopy in place and secure with screws provided.



When using electrical equipment, basic safety precautions should always be followed, including the following:

- Read all instructions carefully before installing and save for future use.
- Make sure all connections are in accordance with the National Electrical Code and local regulations.
- To avoid possible electric shock, be sure the power supply is turned off before servicing or installing the fixture.
- Service should be performed by qualified personnel.

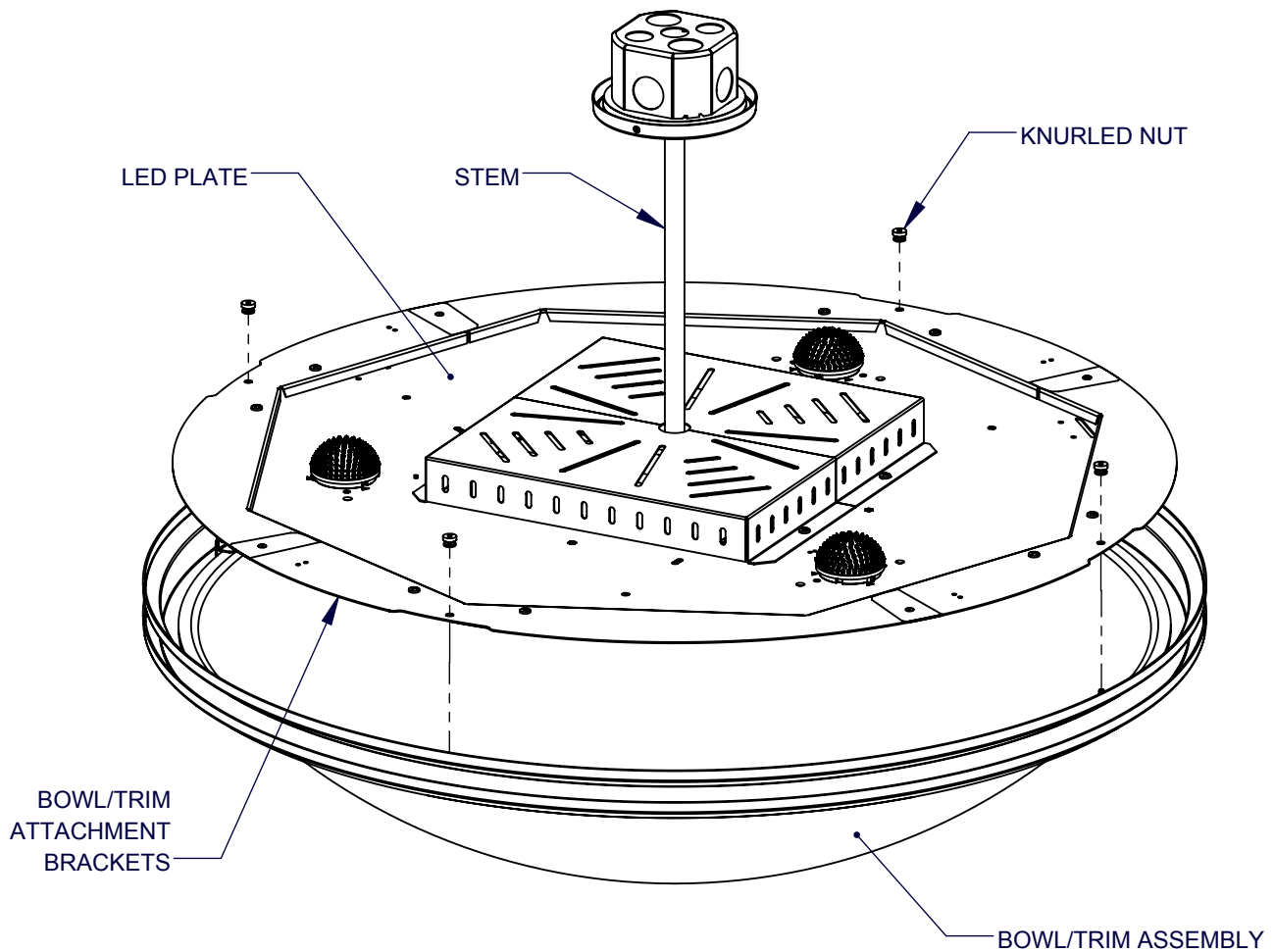
• These instructions may not cover all details or variations. If additional information is needed, please contact Visa Lighting.

# INSTALLATION INSTRUCTIONS

Model: CP4061, 4065, 4069, 4151, 4155, 4159, 4211, 4215, 4219  
Fixture Family: LED Luminous Bowl Pendants - Stem Mount  
Document Description: Installation Instructions for  
Fairfax, Carlton, Olympia Series LED Luminaires

**VISA LIGHTING**  
AN OLDENBURG GROUP COMPANY  
1717 West Civic Drive Milwaukee, WI 53209  
414-354-6600  
Design Modification Rights Reserved  
© Visa Lighting

## Bowl/Trim Attachment (Typical)



### Instructions:

1. Install stem, canopy, and LED plate per previous sheets.
2. Assemble bowl/trim assembly to LED plate. Secure together using knurled nuts on bowl trim attachment brackets

When using electrical equipment, basic safety precautions should always be followed, including the following:

- Read all instructions carefully before installing and save for future use.
- Make sure all connections are in accordance with the National Electrical Code and local regulations.
- To avoid possible electric shock, be sure the power supply is turned off before servicing or installing the fixture
- Service should be performed by qualified personnel.
- These instructions may not cover all details or variations. If additional information is needed, please contact Visa Lighting.

Drawing: 762039XX

Rev: A

Sheet: 3 of 3

Eng: CG2

Date Drawn: 5/23/16