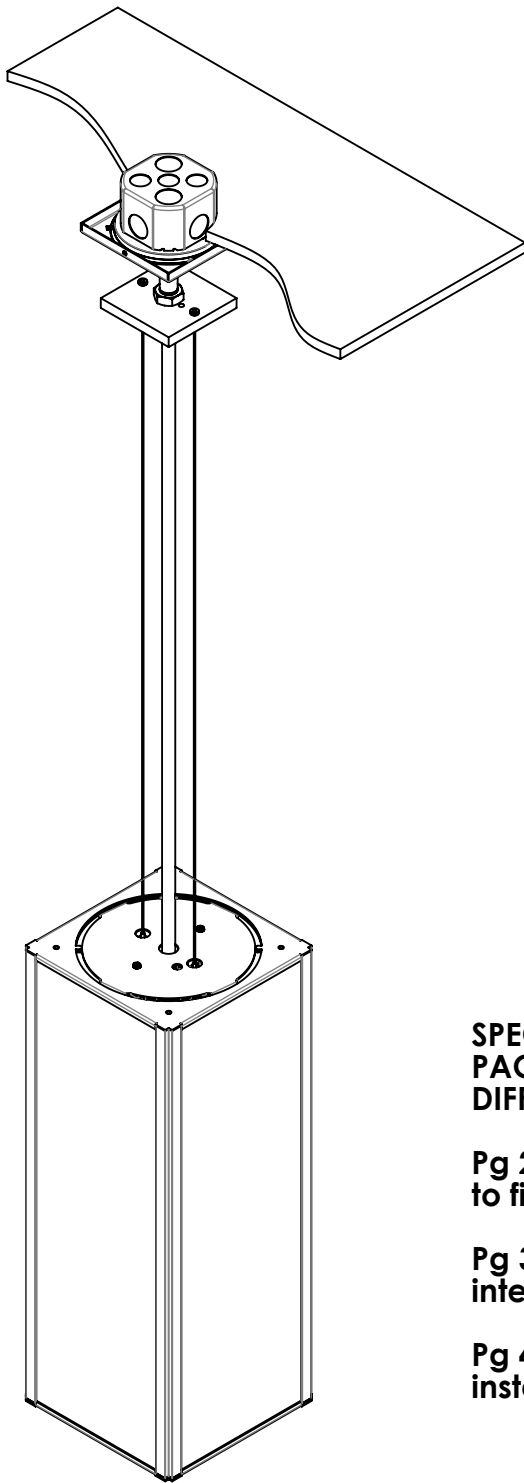


# INSTALLATION INSTRUCTIONS

Model: **CP5572, CP5573, CP5574, CP5582, CP5583, CP5584**  
Fixture Family: **PARALLEL LED**  
Document Description: Installation Instructions for PARALLEL LED  
LED Series Luminaires

**VISA LIGHTING**  
AN OLDENBURG GROUP COMPANY  
1717 West Civic Drive Milwaukee, WI 53209  
414-354-6600  
Design Modification Rights Reserved  
© Visa Lighting 2014



## PARALLEL LED

**CP5572**

**CP5573**

**CP5574**

**CP5582**

**CP5583**

**CP5584**

**SPECIAL NOTE: INSTRUCTION PACKET HAS MULTIPLE PAGES, READ CAREFULLY AS INSTRUCTIONS MAY DIFFER DEPENDING ON OPTIONS ORDERED**

**Pg 2 - Standard shipment with power cord attached to fixture**

**Pg 3 - General Maintenance features - access to internal components**

**Pg 4 - If mounting hardware is shipped ahead for installation before fixture arrives**

Drawing: 762046XX

Rev: D

Sheet: 1 of 4

Eng: AJM

Date Drawn: 9/15/15

**!** When using electrical equipment, basic safety precautions should always be followed, including the following:

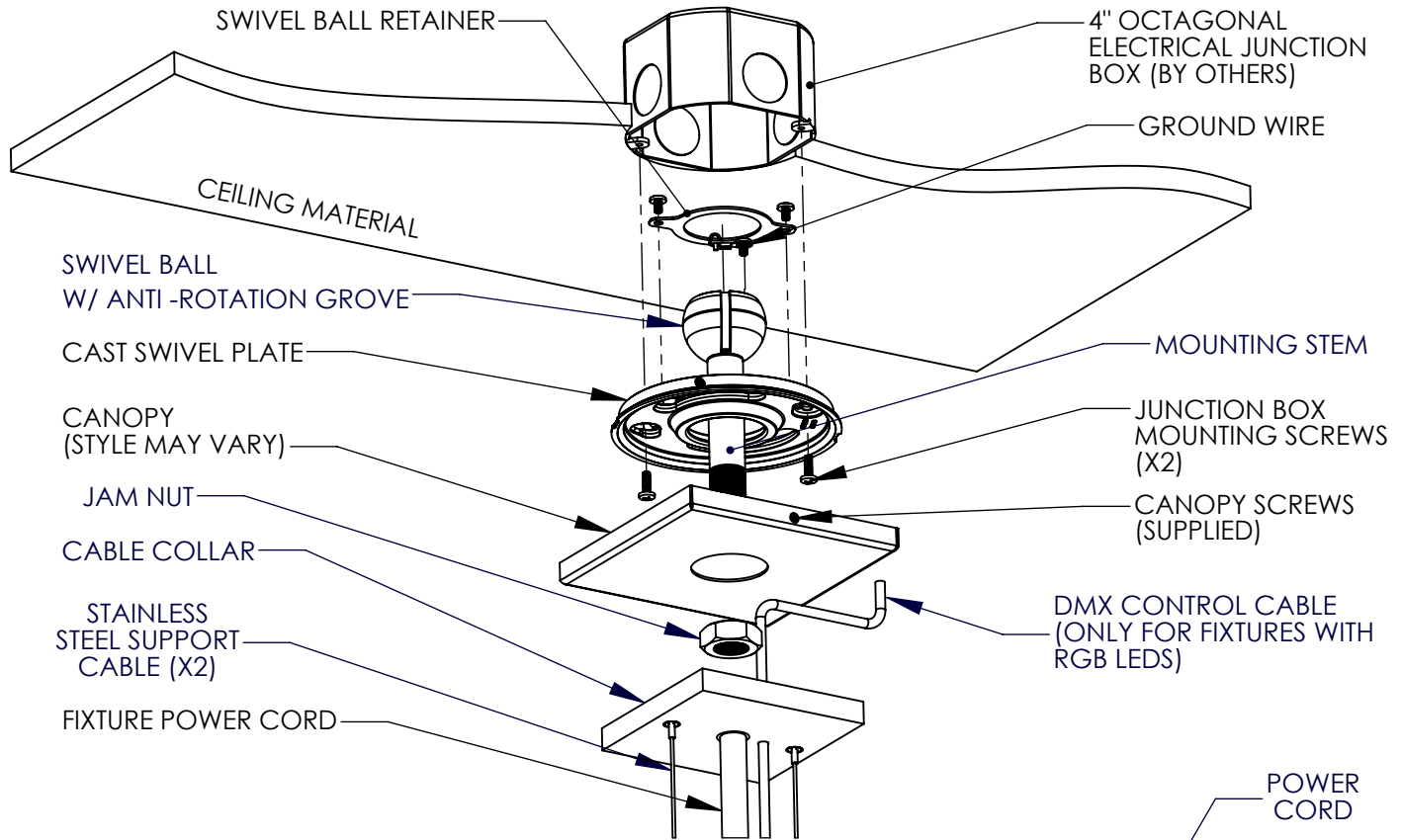
- Read all instructions carefully before installing and save for future use.
- Make sure all connections are in accordance with the National Electrical Code and local regulations.
- To avoid possible electric shock, be sure the power supply is turned off before servicing or installing the fixture.
- Service should be performed by qualified personnel.

• These instructions may not cover all details or variations. If additional information is needed, please contact Visa Lighting.

# INSTALLATION INSTRUCTIONS

Model: **CP5572, CP5573, CP5574, CP5582, CP5583, CP5584**  
 Fixture Family: **PARALLEL LED**  
 Document Description: Installation Instructions for PARALLEL LED  
 LED Series Luminaires

## Standard shipment with cord attached to fixture.



Drawing: 762046XX

Rev: D

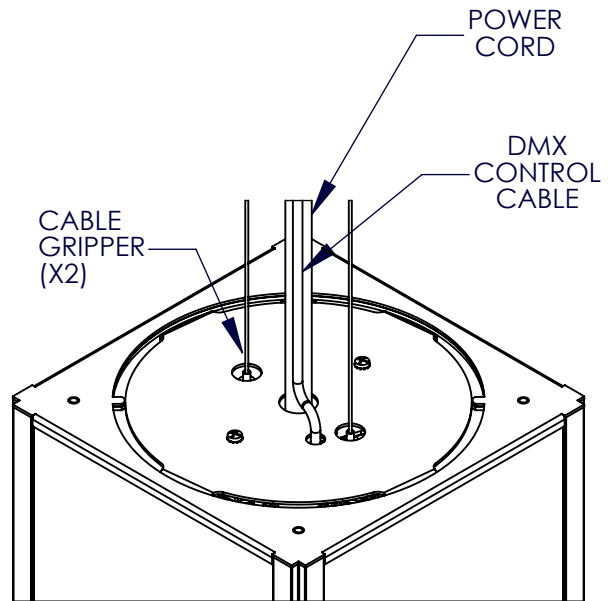
Sheet: 2 of 4

Eng: AJM

Date Drawn: 9/15/15

### Instructions -

1. Insert Swivel Ball/Mounting Stem assembly through Cast Swivel Plate and fasten Swivel Ball Retainer and ground wire with screws provided.
2. Fasten Cast Swivel Plate to junction box with 8/32 screws.
3. Insert stem through canopy and then attach the Jam Nut and Cable Collar.
4. Lift Fixture up and insert Stainless Steel Cables (x2) into Cable Grippers on the Cable Collar.
5. Make final adjustments to height, Pull fixture wires through the Cable Collar/Stem and make all connections per local and national codes (see page 3 for typical wire color scheme).
6. Lift canopy in place and secure with screws provided.
7. If your installation requires the DMX Control Cable, it must be routed outside the junction box due to the low voltage class of the cable.



**TOP OF FIXTURE BODY**



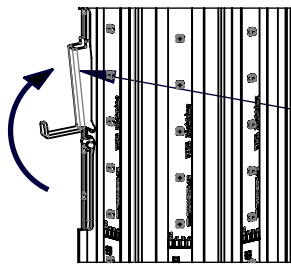
When using electrical equipment, basic safety precautions should always be followed, including the following:

- Read all instructions carefully before installing and save for future use.
- Make sure all connections are in accordance with the National Electrical Code and local regulations.
- To avoid possible electric shock, be sure the power supply is turned off before servicing or installing the fixture.
- Service should be performed by qualified personnel.
- These instructions may not cover all details or variations. If additional information is needed, please contact Visa Lighting.

# INSTALLATION INSTRUCTIONS

Model: **CP5572, CP5573, CP5574, CP5582, CP5583, CP5584**  
Fixture Family: **PARALLEL LED**  
Document Description: Installation Instructions for PARALLEL LED  
LED Series Luminaires

## MAINTENANCE FEATURES



### TUBE HOOK / DMX PORT

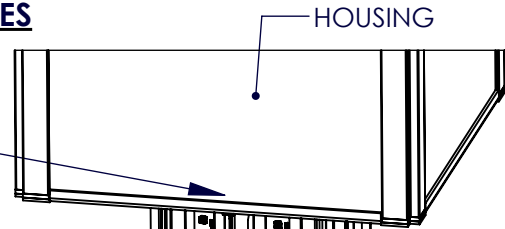
To support the Acrylic Housing for maintenance lift the Acrylic Housing to access the Tube Hook. Swing the Tube Hook up and rest the Acrylic Housing Tube on the hook.

DOOR OF  
WIRE BODY

SCREWS  
(2)

HEX NUTS (4)

DOWNLIGHT  
REFLECTOR



HOUSING

TUBE HOOK

DMX512  
INTERFACE  
DIP SWITCHES  
(RGB ONLY)

HEX NUTS  
(2)

TUBE  
SUPPORT

DOWNLIGHT BEZEL  
(FLAT DISK IF NO DOWNLIGHT)

### INSTRUCTIONS TO ACCESS INTERNAL COMPONENTS

- 1) See Tube Hook detail for supporting Acrylic housing
- 2) Remove Thumb Screws to remove Downlight Bezel
- 3) Twist Downlight Reflector counter clockwise to remove it
- 4) Remove (4) Hex Nuts to remove Tube Support
- 5) Remove the acrylic housing by sliding it down through the bottom.
- 6) Remove (2) Screws attaching the door of wire body and pivot it open

### DMX-CONTROL INSTRUCTIONS (RGB LEDS ONLY)

1. See [VisaLighting.com/DMXguide](http://VisaLighting.com/DMXguide) for further details on installing a DMX system.
2. To RDM address turn switch 11 ON and switch 10 OFF (Default).
3. To manually address with the DIP switches turn switch 10 and 11 OFF and use 'Chart B-Euro DMX 512' to address. Available at [VisaLighting.com/DMXchartB](http://VisaLighting.com/DMXchartB). Example: (Ch# =Dip Switch ON) (1= 0) (4= 1, 2) (7= 2, 3) (512= 1, 2, 3, 4, 5, 6, 7, 8, 9).
4. While this controller will take a set of 4 DMX addresses – only 3 DMX addresses are being used so the fixtures can be addressed in groups of 3.

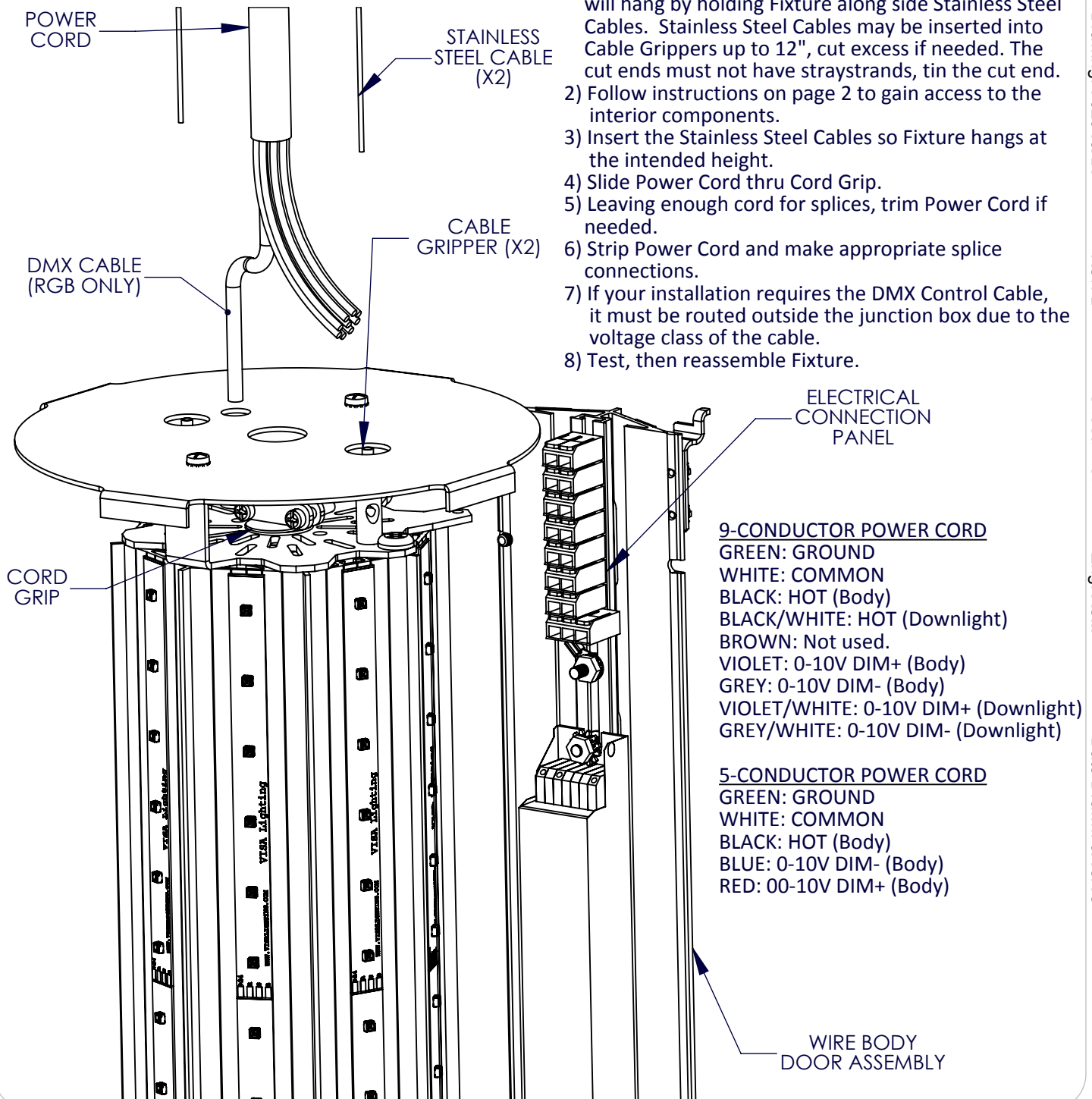
When using electrical equipment, basic safety precautions should always be followed, including the following:

- Read all instructions carefully before installing and save for future use.
- Make sure all connections are in accordance with the National Electrical Code and local regulations.
- To avoid possible electric shock, be sure the power supply is turned off before servicing or installing the fixture
- Service should be performed by qualified personnel.
- These instructions may not cover all details or variations. If additional information is needed, please contact Visa Lighting.

# INSTALLATION INSTRUCTIONS

Model: **CP5572, CP5573, CP5574, CP5582, CP5583, CP5584**  
 Fixture Family: **PARALLEL LED**  
 Document Description: Installation Instructions for PARALLEL LED  
 LED Series Luminaires

## PRE-INSTALLED CABLE AND CORDS



## INSTRUCTIONS

- 1) Preparation: Determine the height the Fixture will hang by holding Fixture along side Stainless Steel Cables. Stainless Steel Cables may be inserted into Cable Grippers up to 12", cut excess if needed. The cut ends must not have stray strands, tin the cut end.
- 2) Follow instructions on page 2 to gain access to the interior components.
- 3) Insert the Stainless Steel Cables so Fixture hangs at the intended height.
- 4) Slide Power Cord thru Cord Grip.
- 5) Leaving enough cord for splices, trim Power Cord if needed.
- 6) Strip Power Cord and make appropriate splice connections.
- 7) If your installation requires the DMX Control Cable, it must be routed outside the junction box due to the voltage class of the cable.
- 8) Test, then reassemble Fixture.

### 9-CONDUCTOR POWER CORD

GREEN: GROUND  
 WHITE: COMMON  
 BLACK: HOT (Body)  
 BLACK/WHITE: HOT (Downlight)  
 BROWN: Not used.  
 VIOLET: 0-10V DIM+ (Body)  
 GREY: 0-10V DIM- (Body)  
 VIOLET/WHITE: 0-10V DIM+ (Downlight)  
 GREY/WHITE: 0-10V DIM- (Downlight)

### 5-CONDUCTOR POWER CORD

GREEN: GROUND  
 WHITE: COMMON  
 BLACK: HOT (Body)  
 BLUE: 0-10V DIM- (Body)  
 RED: 00-10V DIM+ (Body)

Drawing: 762046XX

Rev: D

Sheet: 4 of 4

Eng: AJM

Date Drawn: 9/15/15

**!** When using electrical equipment, basic safety precautions should always be followed, including the following:

- Read all instructions carefully before installing and save for future use.
- Make sure all connections are in accordance with the National Electrical Code and local regulations.
- To avoid possible electric shock, be sure the power supply is turned off before servicing or installing the fixture.
- Service should be performed by qualified personnel.
- These instructions may not cover all details or variations. If additional information is needed, please contact Visa Lighting.