

INSTALLATION INSTRUCTIONS

Model: CP5720, CP5722, CP5724
Fixture Family: PEEK
Document Description: Installation Instructions for
PEEK Series Luminaires

 **VISA LIGHTING**
AN OLDENBURG GROUP COMPANY
1717 West Civic Drive Milwaukee, WI 53209
414-354-6600
Design Modification Rights Reserved
© Visa Lighting 2016

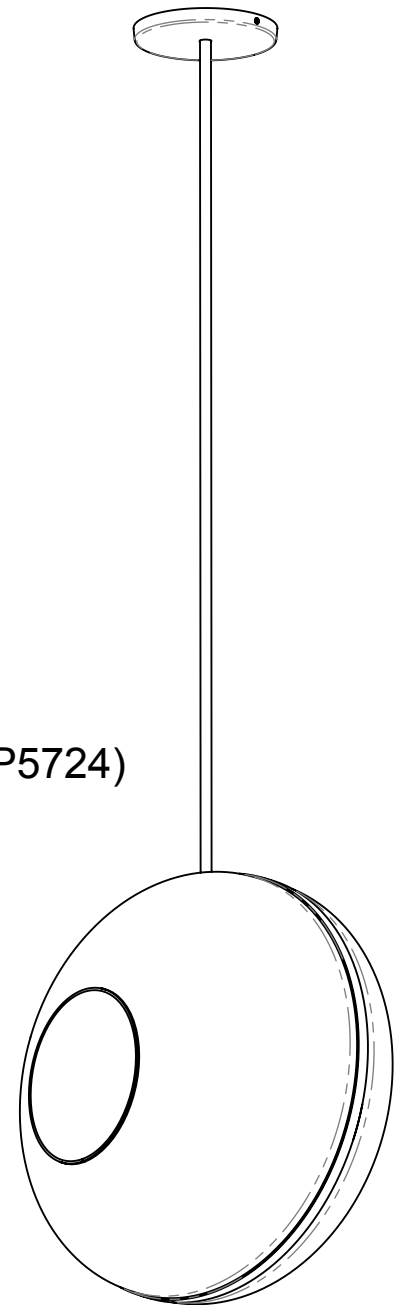
PEEK

CP5720
CP5722
CP5724

PAGE 2: CORD MOUNTING (CP5720)

PAGE 3: CABLE/CORD MOUNTING (CP5722, CP5724)

PAGE 4: MAINTENANCE



Drawing: 762301XX

Rev: D

Sheet: 1 of 4

Eng: CLD

Date Drawn: 04/17/18

DURING INSTALLATION:

- DO NOT REMOVE FILM (wrapped around the acrylics) UNTIL AFTER FIXTURE IS INSTALLED
- After removing the film, inspect outer trim for light leaks. If there are any light leaks, push the lens together at the same time while keeping the center tube sticking out the same amount on both sides

 When using electrical equipment, basic safety precautions should always be followed, including the following:

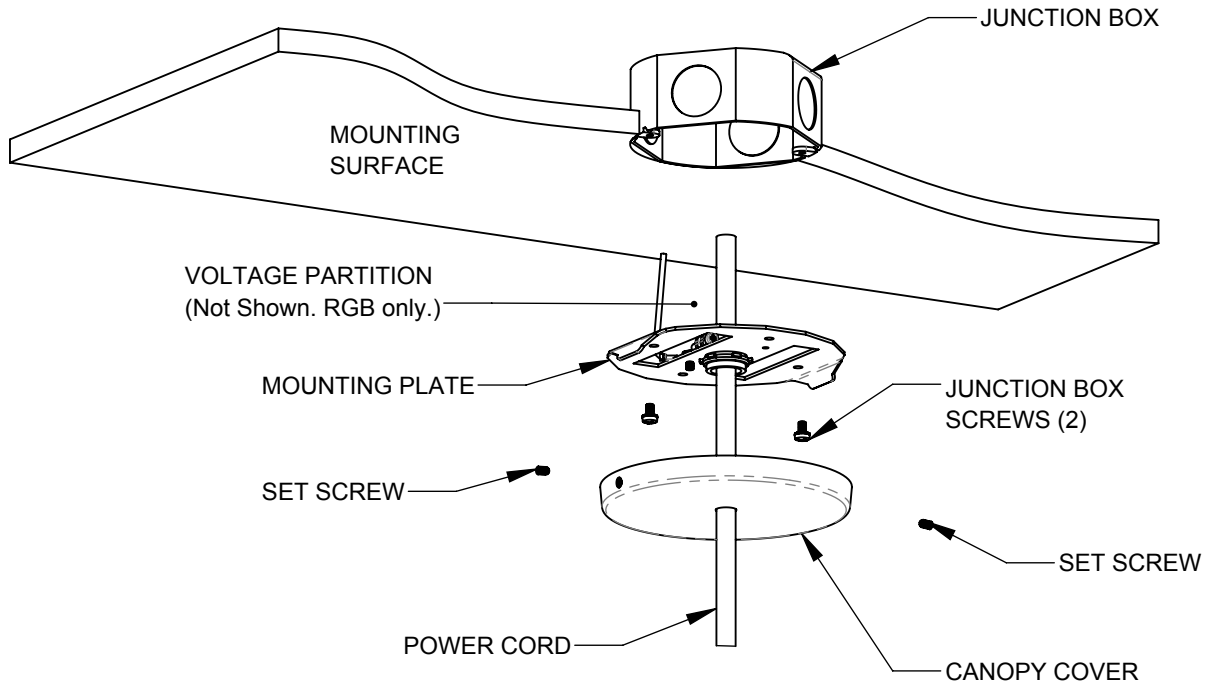
- Read all instructions carefully before installing and save for future use.
- Make sure all connections are in accordance with the National Electrical Code and local regulations.
- To avoid possible electric shock, be sure the power supply is turned off before servicing or installing the fixture
- Service should be performed by qualified personnel.
- These instructions may not cover all details or variations. If additional information is needed, please contact Visa Lighting.

INSTALLATION INSTRUCTIONS

Model: **CP5720, CP5722, CP5724**
Fixture Family: **PEEK**
Document Description: Installation Instructions for
PEEK Series Luminaires

VISA LIGHTING
AN OLDENBURG GROUP COMPANY
1717 West Civic Drive Milwaukee, WI 53209
414-354-6600
Design Modification Rights Reserved
© Visa Lighting

CORD INSTALLATION



INSTRUCTIONS

1. Make all electrical connections per national and local codes
2. Fasten mounting plate to the junction box with the junction box screws
3. Lift canopy cover in place and secure with screws provided

RGB Installation

The voltage partition is provided for use with RGB fixture models and it is intended for use only with a standard 1-1/2" deep 4x4 octagon electrical box (included). The voltage partition is designed for those installations where the DMX control signals are classified as Class 2 per NEC code. Proper installation of the voltage partition will assure separation by barrier means of Class 2 connections from branch power connections. Check with local electrical code authorities (AHJ) before removing the voltage partition or if using a different junction box is appropriate for this installation.

When using electrical equipment, basic safety precautions should always be followed, including the following:

- Read all instructions carefully before installing and save for future use.
- Make sure all connections are in accordance with the National Electrical Code and local regulations.
- To avoid possible electric shock, be sure the power supply is turned off before servicing or installing the fixture.
- Service should be performed by qualified personnel.
- These instructions may not cover all details or variations. If additional information is needed, please contact Visa Lighting.

Drawing: 762301XX

Rev: D

Sheet: 2 of 4

Eng: CLD

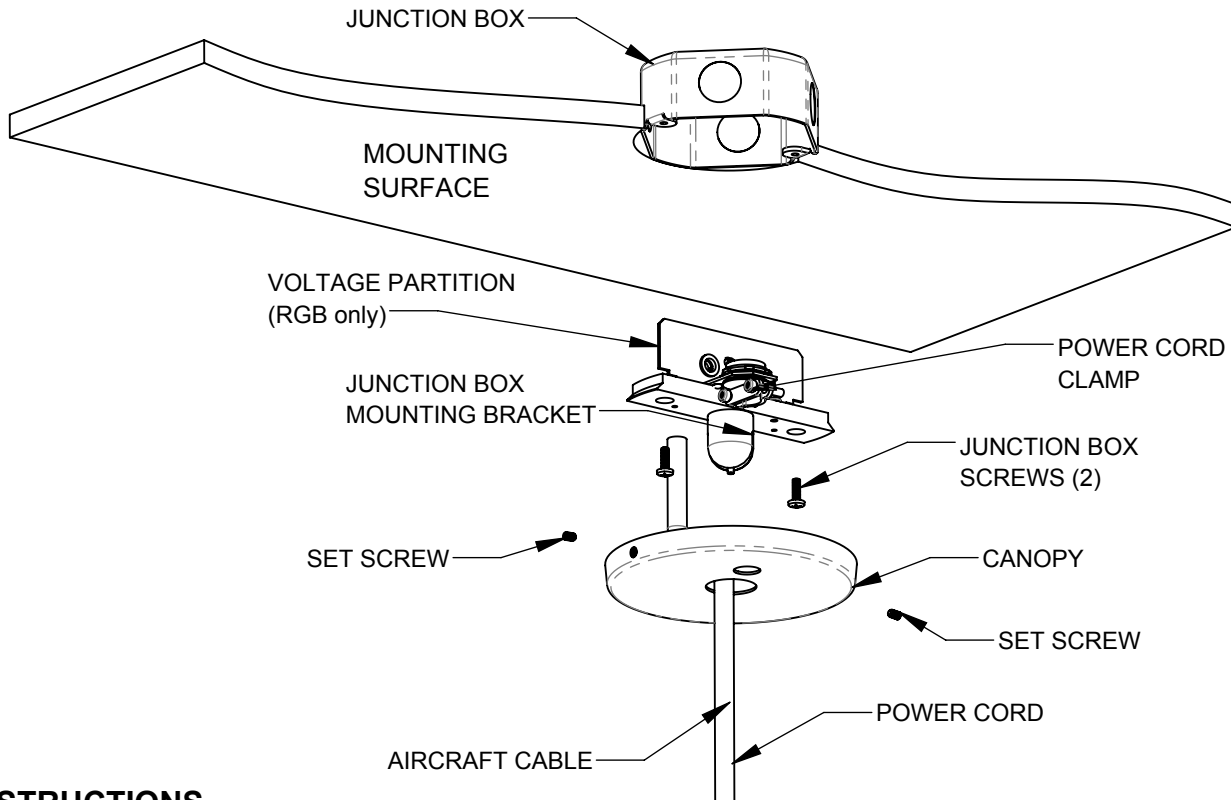
Date Drawn: 04/17/18

INSTALLATION INSTRUCTIONS

Model: **CP5720, CP5722, CP5724**
Fixture Family: **PEEK**
Document Description: Installation Instructions for
PEEK Series Luminaires

VISA LIGHTING
AN OLDENBURG GROUP COMPANY
1717 West Civic Drive Milwaukee, WI 53209
414-354-6600
Design Modification Rights Reserved
© Visa Lighting

CABLE/CORD INSTALLATION



INSTRUCTIONS

1. Fasten junction box to mounting bracket to the junction box.
2. Pass aircraft cable and power cord through canopy. While lifting the fixture into place, insert the aircraft cable.
3. Insert power cord through power cord clamp. Tighten screws to secure it.
4. Lift canopy cover in place and secure with set screws on both sides.

RGB Installation

The voltage partition is provided for use with RGB fixture models and it is intended for use only with a standard 1-1/2" deep 4x4 octagon electrical box (included). The voltage partition is designed for those installations where the DMX control signals are classified as Class 2 per NEC code. Proper installation of the voltage partition will assure separation by barrier means of Class 2 connections from branch power connections. Check with local electrical code authorities (AHJ) before removing the voltage partition or if using a different junction box is appropriate for this installation.

When using electrical equipment, basic safety precautions should always be followed, including the following:

- Read all instructions carefully before installing and save for future use.
- Make sure all connections are in accordance with the National Electrical Code and local regulations.
- To avoid possible electric shock, be sure the power supply is turned off before servicing or installing the fixture.
- Service should be performed by qualified personnel.
- These instructions may not cover all details or variations. If additional information is needed, please contact Visa Lighting.

INSTALLATION INSTRUCTIONS

Model: **CP5720, CP5722, CP5724**
Fixture Family: **PEEK**
Document Description: Installation Instructions for
PEEK Series Luminaires

VISA LIGHTING
AN OLDENBURG GROUP COMPANY
1717 West Civic Drive Milwaukee, WI 53209
414-354-6600
Design Modification Rights Reserved
© Visa Lighting

MAINTENANCE

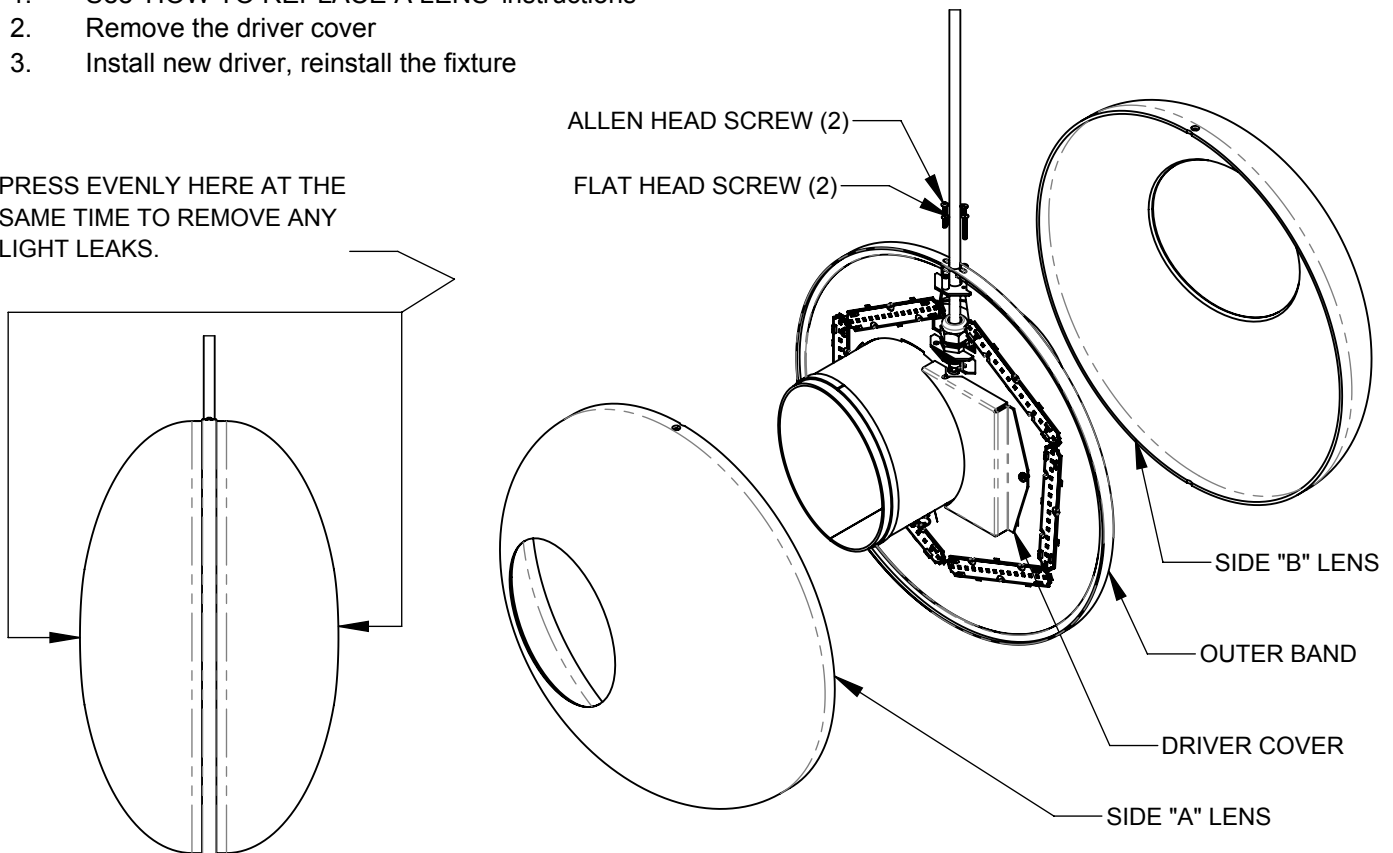
HOW TO REPLACE A LENS

1. Take the fixture down from ceiling
2. Separate the lens by removing the two flat head screws and pulling the lens off
3. Replace the lens, reinstall the fixture

HOW TO REPLACE A DRIVER

1. See 'HOW TO REPLACE A LENS' instructions
2. Remove the driver cover
3. Install new driver, reinstall the fixture

PRESS EVENLY HERE AT THE
SAME TIME TO REMOVE ANY
LIGHT LEAKS.



DMX-CONTROL INSTRUCTIONS (RGB LEDS ONLY)

1. The controller has RDM functionality and can be digitally addressed
2. See VisaLighting.com/DMXguide for further details on installing a DMX system.
3. To RDM address turn switch 11 ON and switch 10 OFF (Default).
4. To manually address with the DIP switches turn switch 10 and 11 OFF and use 'Chart B-Euro DMX 512' to address. Available at VisaLighting.com/DMXchartB. Example: (Ch# =Dip Switch ON) (1= 0) (4= 1, 2) (7= 2, 3) (512= 1, 2, 3, 4, 5, 6, 7, 8, 9).
5. While this controller will take a set of 4 DMX addresses – only 3 DMX addresses are being used so the fixtures can be addressed in groups of 3.

When using electrical equipment, basic safety precautions should always be followed, including the following:

- Read all instructions carefully before installing and save for future use.
- Make sure all connections are in accordance with the National Electrical Code and local regulations.
- To avoid possible electric shock, be sure the power supply is turned off before servicing or installing the fixture
- Service should be performed by qualified personnel.
- These instructions may not cover all details or variations. If additional information is needed, please contact Visa Lighting.

Drawing: 762301XX

Rev: D

Sheet: 4 of 4

Eng: CLD

Date Drawn: 04/17/18