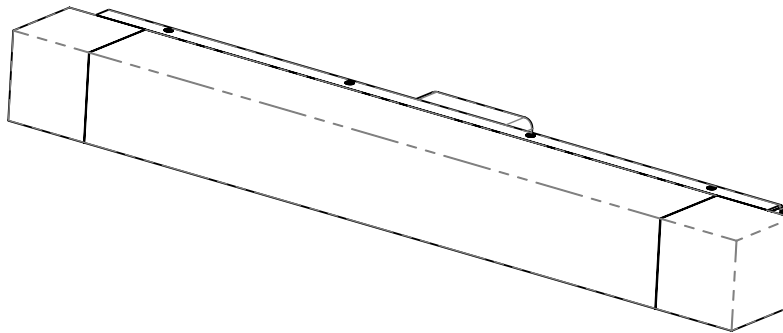


INSTALLATION INSTRUCTIONS

Model: **CB5513 / 5515 / 5517 / 5524, OW5513 / 5515 / 5517 / 5524**
Fixture Family: **SHINE (LED)**
Document Description: Installation Instructions for
SHINE Series Luminaires



SHINE

CB / OW5513
CB / OW 5515
CB / OW 5517
CB / OW 5524

Drawing: 762250XX

Rev: B

Sheet: 1 of 5

Eng: SLN

Date Drawn: 10/14/15

! When using electrical equipment, basic safety precautions should always be followed, including the following:

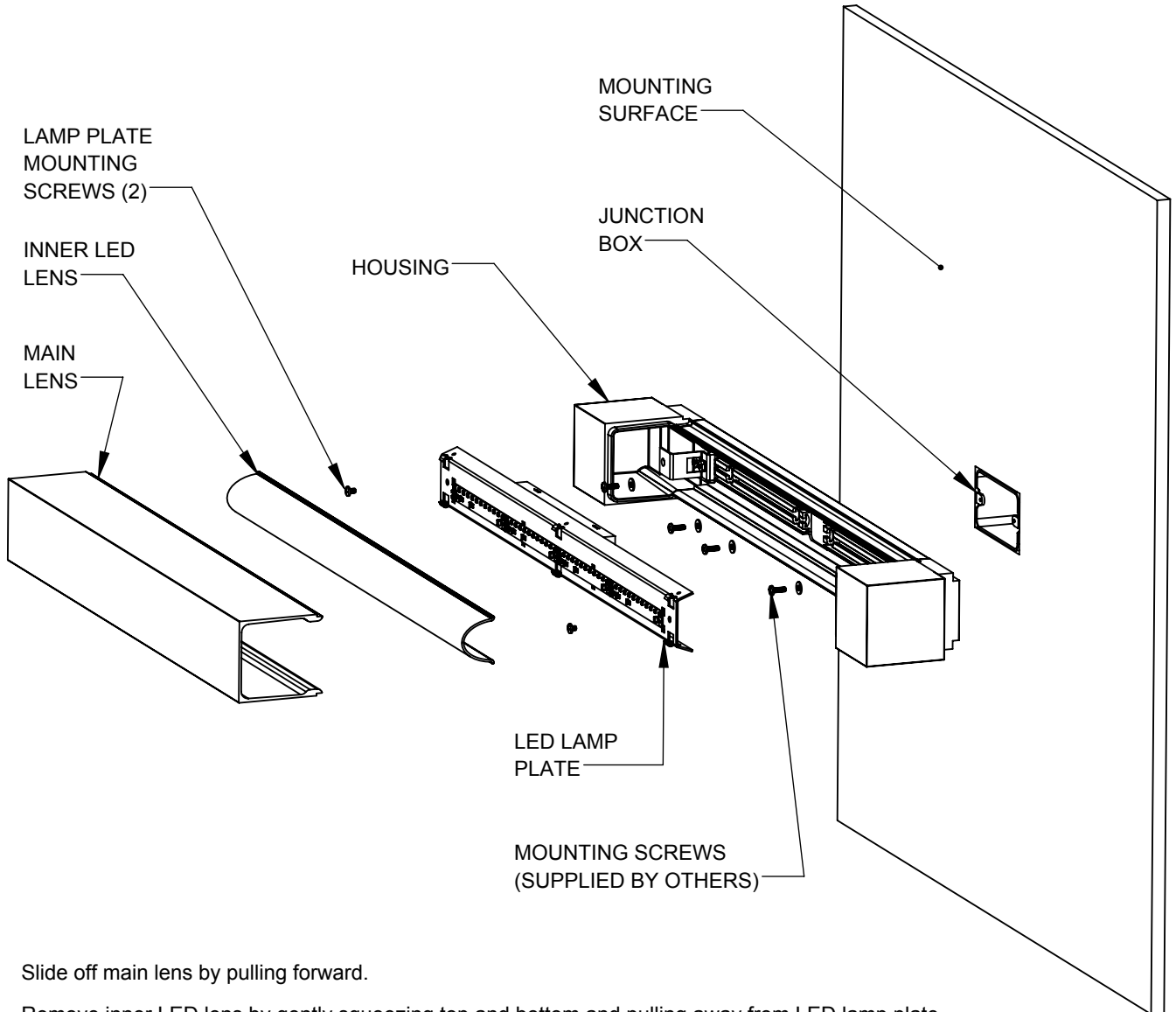
- Read all instructions carefully before installing and save for future use.
- Make sure all connections are in accordance with the National Electrical Code and local regulations.
- To avoid possible electric shock, be sure the power supply is turned off before servicing or installing the fixture.
- Service should be performed by qualified personnel.
- These instructions may not cover all details or variations. If additional information is needed, please contact Visa Lighting.

INSTALLATION INSTRUCTIONS

Model: **CB5513, CB5515, CB5517 & CB5524**
Fixture Family: **SHINE (LED)**
Document Description: Installation Instructions for
SHINE Series Luminaires

VISA LIGHTING
AN OLDENBURG GROUP COMPANY
1717 West Civic Drive Milwaukee, WI 53209
414-354-6600
Design Modification Rights Reserved
© Visa Lighting

DAMP LOCATION INSTALLATION



1. Slide off main lens by pulling forward.
2. Remove inner LED lens by gently squeezing top and bottom and pulling away from LED lamp plate.
3. Remove LED lamp plate by unscrewing (2) lamp plate mounting screws.
4. Feed electrical wires through wire access hole in housing.
5. WHILE CHECKING FOR LEVEL, secure housing to wall with screws (supplied by others).
6. **Make electrical connections per code.**
7. Resecure LED lamp plate with provided lamp plate mounting screws (2).
8. Resecure inner LED lens and gently reinstall main lens.

When using electrical equipment, basic safety precautions should always be followed, including the following:

- Read all instructions carefully before installing and save for future use.
- Make sure all connections are in accordance with the National Electrical Code and local regulations.
- To avoid possible electric shock, be sure the power supply is turned off before servicing or installing the fixture.
- Service should be performed by qualified personnel.
- These instructions may not cover all details or variations. If additional information is needed, please contact Visa Lighting.

Drawing: 762250XX

Rev: B

Sheet: 2 of 5

Eng: SLN

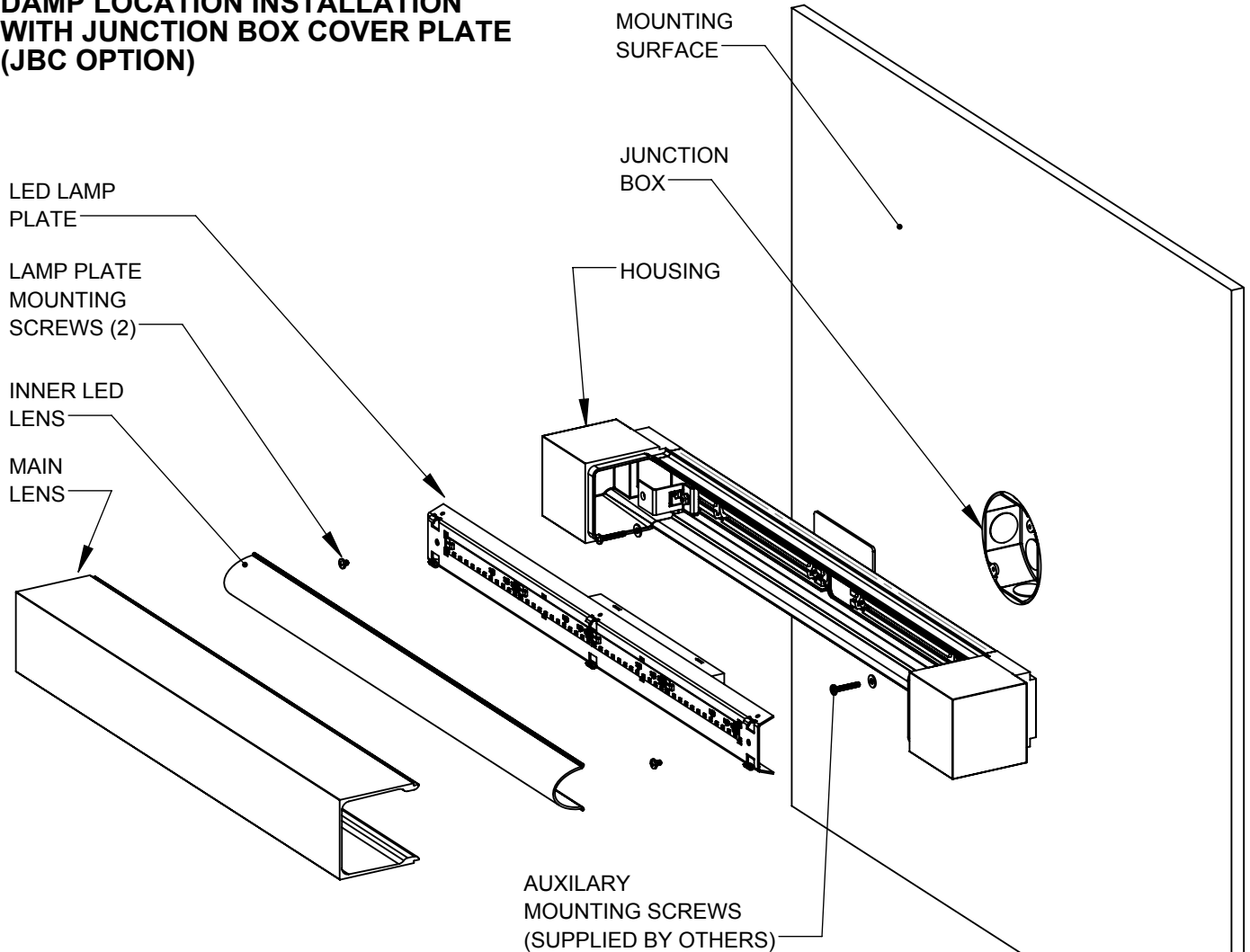
Date Drawn: 10/14/15

INSTALLATION INSTRUCTIONS

Model: **CB5513, CB5515, CB5517 & CB5524**
Fixture Family: **SHINE (LED)**
Document Description: Installation Instructions for
SHINE Series Luminaires

VISA LIGHTING
AN OLDENBURG GROUP COMPANY
1717 West Civic Drive Milwaukee, WI 53209
414-354-6600
Design Modification Rights Reserved
© Visa Lighting

DAMP LOCATION INSTALLATION WITH JUNCTION BOX COVER PLATE (JBC OPTION)



- 1 Slide off main lens by pulling forward.
- 2 Remove inner LED lens by gently squeezing top and bottom and pulling away from LED lamp plate.
- 3 Remove LED lamp plate by unscrewing (2) lamp plate mounting screws.
- 4 Feed electrical wires through wire access hole in housing.
- 5 WHILE CHECKING FOR LEVEL, secure housing to wall with screws (supplied by others).
- 6 **Make electrical connections per code.**
- 7 Resecure LED lamp plate with provided lamp plate mounting screws (2).
- 8 Resecure inner LED lens and gently reinstall main lens.

When using electrical equipment, basic safety precautions should always be followed, including the following:

- Read all instructions carefully before installing and save for future use.
- Make sure all connections are in accordance with the National Electrical Code and local regulations.
- To avoid possible electric shock, be sure the power supply is turned off before servicing or installing the fixture.
- Service should be performed by qualified personnel.
- These instructions may not cover all details or variations. If additional information is needed, please contact Visa Lighting.

Drawing: 762250XX

Rev: B

Sheet: 3 of 5

Eng: SLN

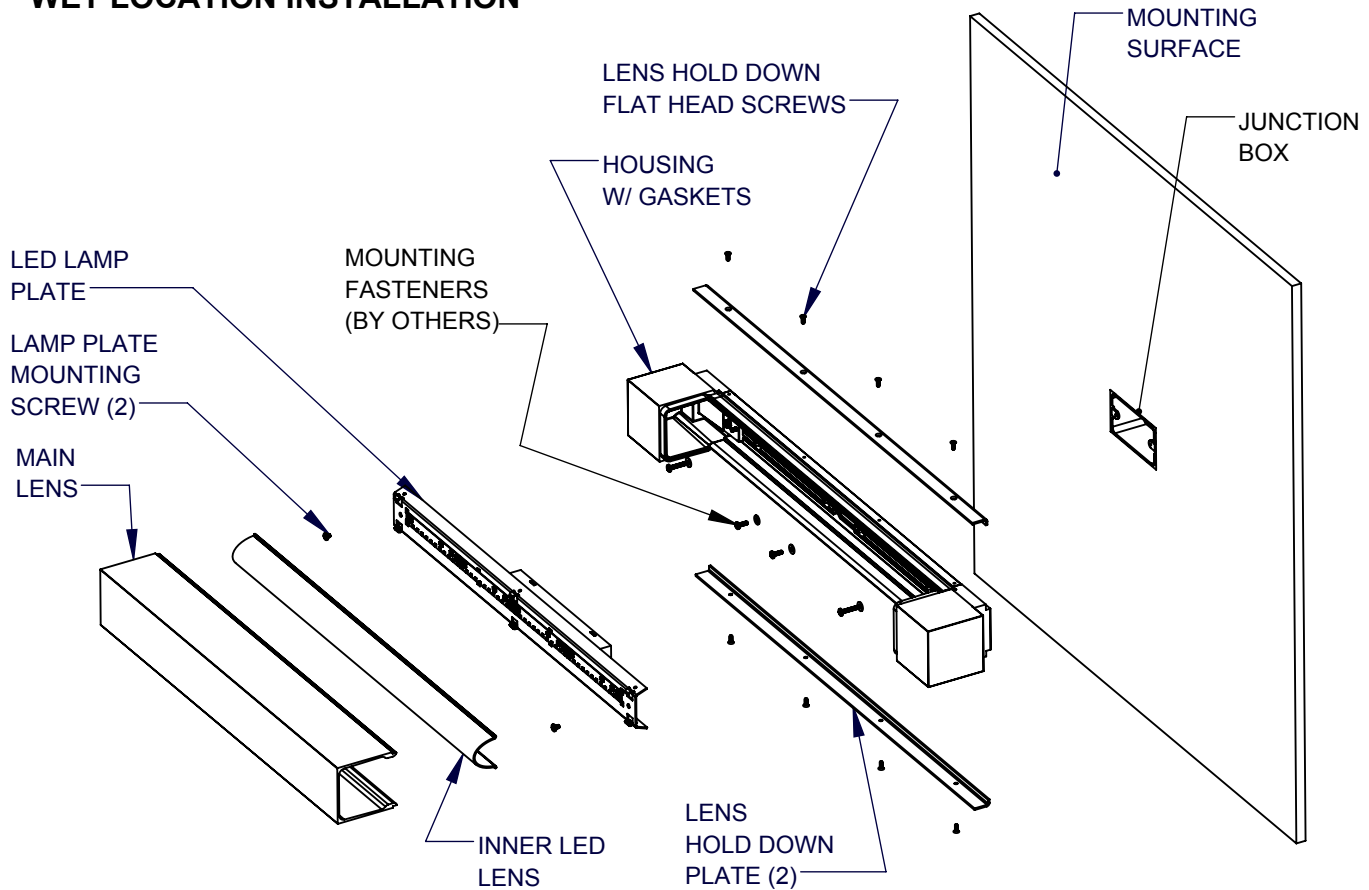
Date Drawn: 10/14/15

INSTALLATION INSTRUCTIONS

Model: **OW5513, OW5515, OW5517 & OW5524**
Fixture Family: **SHINE (LED)**
Document Description: Installation Instructions for
SHINE Series Luminaires

VISA LIGHTING
AN OLDENBURG GROUP COMPANY
1717 West Civic Drive Milwaukee, WI 53209
414-354-6600
Design Modification Rights Reserved
© Visa Lighting

WET LOCATION INSTALLATION



- 1 Remove lens hold down plates (2).
2. Slide off main lens by pulling forward (Caution - take care not to rip gasket on housing at perimeter of lens opening).
3. Remove inner LED lens by gently squeezing top and bottom and pulling away from LED lamp plate.
4. Remove LED lamp plate by unscrewing (2) lamp plate mounting screws.
5. Feed electrical wires through wire access hole in housing.
6. **WHILE CHECKING FOR LEVEL**, secure housing to wall with screws (supplied by others)
NOTE: If wall is not smooth, secure a bead of silicone around perimeter of fixture.
7. **Make electrical connections per code.**
8. Resecure LED lamp plate with provided lamp plate mounting screws (2).
9. Resecure inner LED lens and gently reinstall main lens. (taking caution not to rip gasket while sliding it back on)
10. Reattach lens hold down plates (2) with provided flat head screws. (quantity of screws will vary depending on fixture length)

When using electrical equipment, basic safety precautions should always be followed, including the following:

- Read all instructions carefully before installing and save for future use.
- Make sure all connections are in accordance with the National Electrical Code and local regulations.
- To avoid possible electric shock, be sure the power supply is turned off before servicing or installing the fixture
- Service should be performed by qualified personnel.
- These instructions may not cover all details or variations. If additional information is needed, please contact Visa Lighting.

Drawing: 762250XX

Rev: B

Sheet: 4 of 5

Eng: SLN

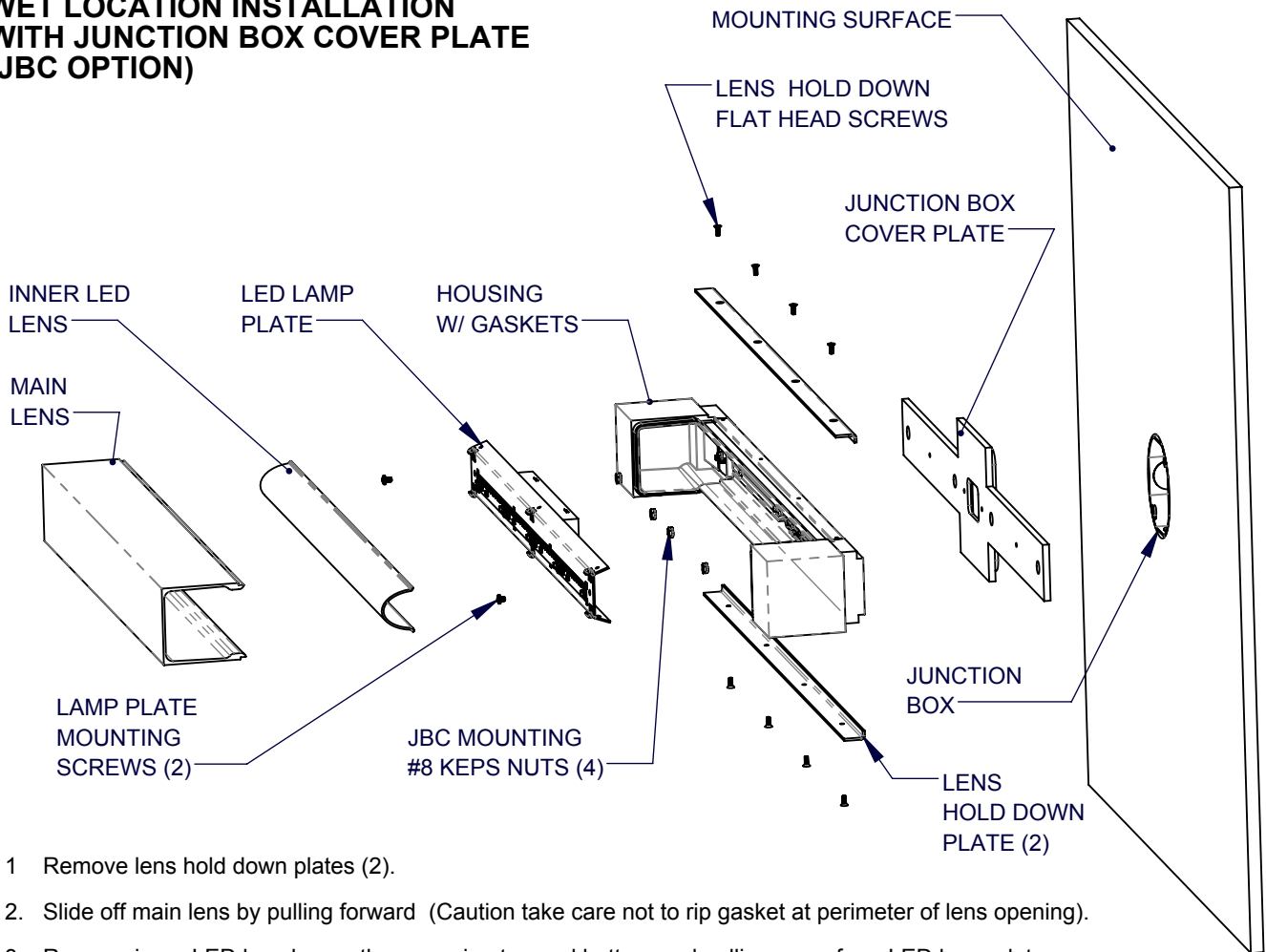
Date Drawn: 10/14/15

INSTALLATION INSTRUCTIONS

Model: **OW5513, OW5515, OW5517 & OW5524**
 Fixture Family: **SHINE (LED)**
 Document Description: Installation Instructions for
 SHINE Series Luminaires

VISA LIGHTING
 AN OLDENBURG GROUP COMPANY
 1717 West Civic Drive Milwaukee, WI 53209
 414-354-6600
 Design Modification Rights Reserved
 © Visa Lighting

WET LOCATION INSTALLATION WITH JUNCTION BOX COVER PLATE (JBC OPTION)



1. Remove lens hold down plates (2).
2. Slide off main lens by pulling forward (Caution take care not to rip gasket at perimeter of lens opening).
3. Remove inner LED lens by gently squeezing top and bottom and pulling away from LED lamp plate.
4. Remove LED lamp plate by unscrewing (2) lamp plate mounting screws.
5. Remove junction box cover plate from housing by loosening and removing junction box #8 keps nuts.
6. Feed electrical wires through junction box wire access hole in housing.
7. **WHILE CHECKING FOR LEVEL**, secure junction box cover plate to wall with screws (supplied by others)
NOTE: If wall is not smooth, secure a bead of silicone around perimeter of junction box cover plate.
8. Resecure junction box cover plate to housing with provided #8 keps nuts.
9. **Make electrical connections per code.**
10. Resecure LED lamp plate with provided lamp plate mounting screws (2).
11. Resecure inner LED lens and gently reinstall main lens. (taking caution not to rip gasket while sliding it back on)
12. Reattach lens hold down plates (2) with provided flat head screws. (quantity of screws will vary depending on fixture length)

Drawing: 762250XX

Rev: B

Sheet: 5 of 5

Eng: SLN

Date Drawn: 10/14/15



When using electrical equipment, basic safety precautions should always be followed, including the following:

- Read all instructions carefully before installing and save for future use.
- Make sure all connections are in accordance with the National Electrical Code and local regulations.
- To avoid possible electric shock, be sure the power supply is turned off before servicing or installing the fixture
- Service should be performed by qualified personnel.
- These instructions may not cover all details or variations. If additional information is needed, please contact Visa Lighting.