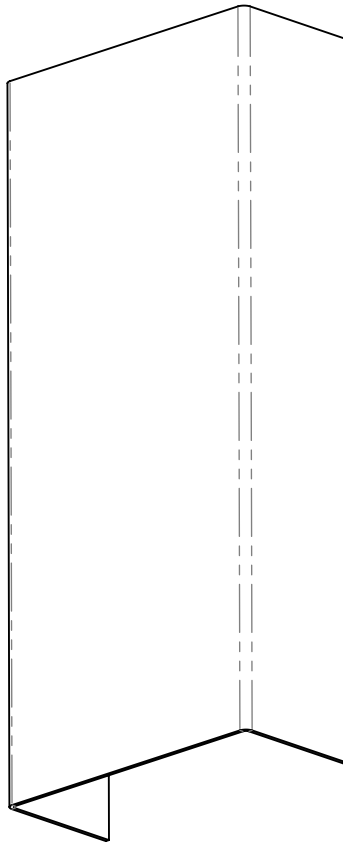


INSTALLATION INSTRUCTIONS

Model: **CB3660, 3664**
Fixture Family: **SHIELD**
Document Description: MOUNTING INSTRUCTIONS
SHIELD Series Luminaires



*STYLE MAY VARY

SHIELD

CB3660

CB3664

Drawing: 762253XX

Rev: A

Sheet: 1 of 2

Eng: CLD

Date Drawn: 3/10/17



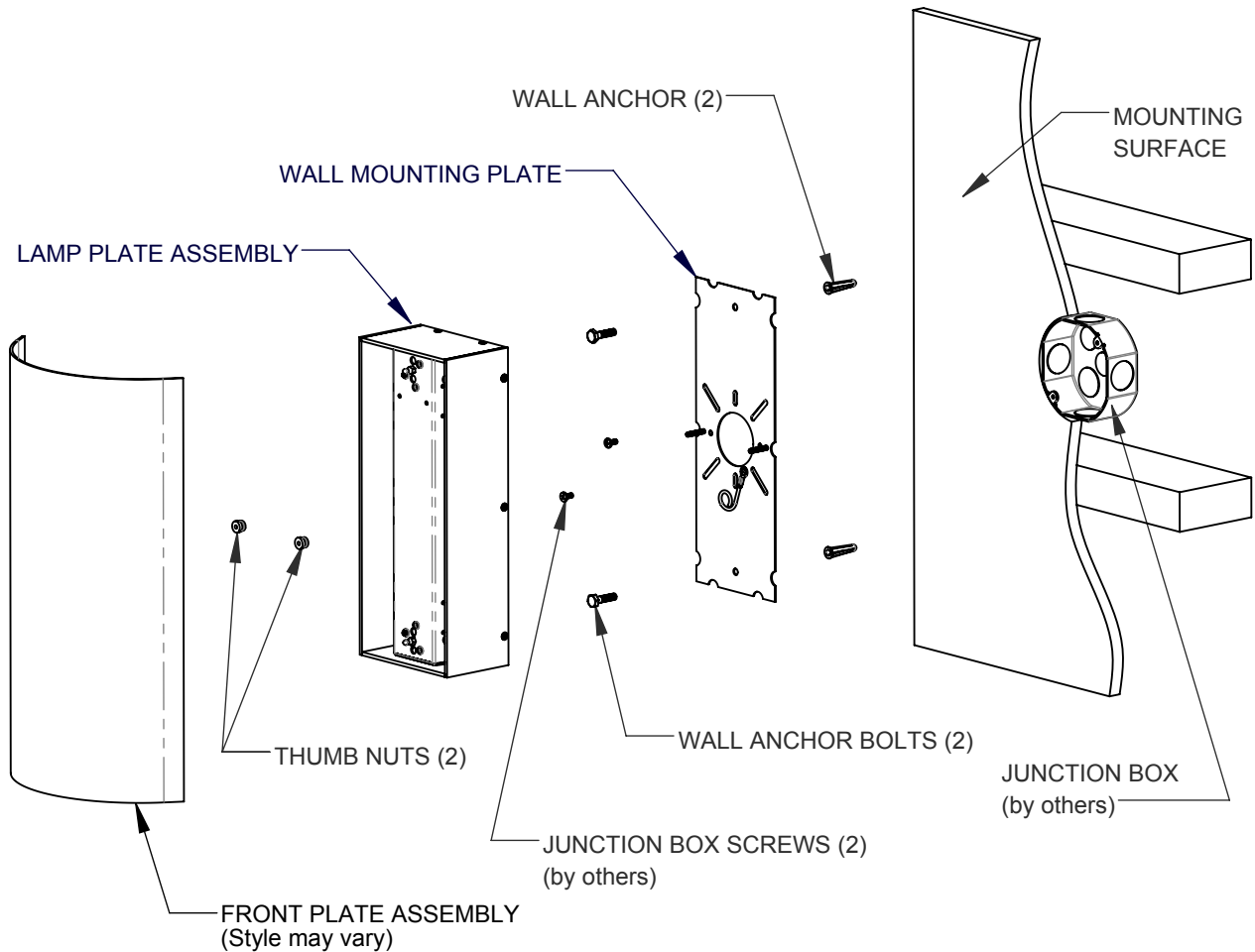
When using electrical equipment, basic safety precautions should always be followed, including the following:

- Read all instructions carefully before installing and save for future use.
- Make sure all connections are in accordance with the National Electrical Code and local regulations.
- To avoid possible electric shock, be sure the power supply is turned off before servicing or installing the fixture.
- Service should be performed by qualified personnel.
- These instructions may not cover all details or variations. If additional information is needed, please contact Visa Lighting.

INSTALLATION INSTRUCTIONS

Model: **CB3660, 3664**
Fixture Family: **SHIELD**
Document Description: **MOUNTING INSTRUCTIONS**
SHIELD Series Luminaires

VISA LIGHTING
AN OLDENBURG GROUP COMPANY
1717 West Civic Drive Milwaukee, WI 53209
414-354-6600
Design Modification Rights Reserved
© Visa Lighting



1. Remove front shield assembly from lamp plate assembly.
2. Fasten wall mounting plate to junction box (by others) with junction box screws (by others).
3. Mark locations on the mounting surface for wall anchors. Remove Mounting plate from mounting surface. Drill 5/16" hole for each and install wall anchors.
4. Reinstall wall mounting plate and make all necessary wire connections per local and national codes.
5. Tighten lamp plate assembly on wall mounting plate and tighten thumb nuts onto wall plate studs.
6. Re-install front shield assembly.

! When using electrical equipment, basic safety precautions should always be followed, including the following:

- Read all instructions carefully before installing and save for future use.
- Make sure all connections are in accordance with the National Electrical Code and local regulations.
- To avoid possible electric shock, be sure the power supply is turned off before servicing or installing the fixture.
- Service should be performed by qualified personnel.
- These instructions may not cover all details or variations. If additional information is needed, please contact Visa Lighting.

Drawing: 762253XX

Rev: A

Sheet: 2 of 2

Eng: CLD

Date Drawn: 3/10/17