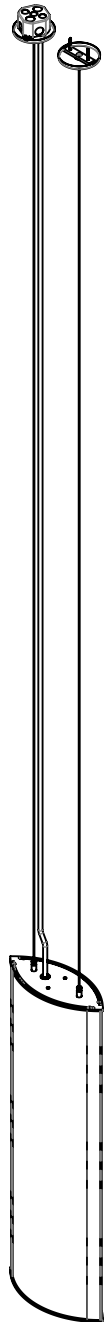


# INSTALLATION INSTRUCTIONS

Model: **CP5301, CP5303, CP5393, CP5395**  
Fixture Family: **AIR FOIL LED**  
Document Description: Installation Instructions for  
Air Foil Series Luminaires

**VISA LIGHTING**  
AN OLDENBURG GROUP COMPANY  
1717 West Civic Drive Milwaukee, WI 53209  
414-354-6600  
Design Modification Rights Reserved  
© Visa Lighting



## AIR FOIL LED

**CP5301**  
**CP5303**  
**CP5393**  
**CP5395**

Drawing: 762255XX

Rev: B

Sheet: 1 of 6

Eng: TJD

Date Drawn: 09/09/2016

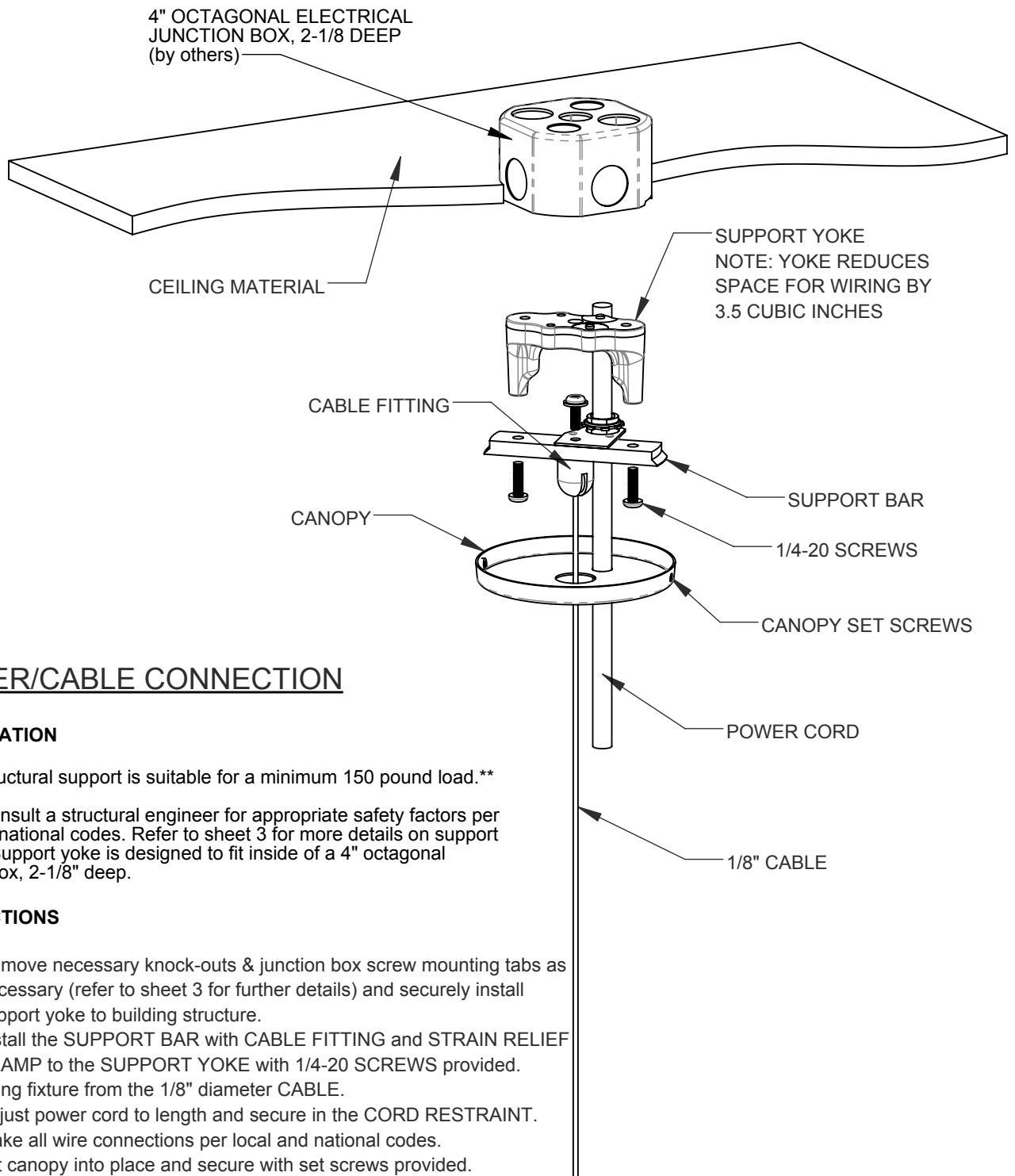
**!** When using electrical equipment, basic safety precautions should always be followed, including the following:

- Read all instructions carefully before installing and save for future use.
- Make sure all connections are in accordance with the National Electrical Code and local regulations.
- To avoid possible electric shock, be sure the power supply is turned off before servicing or installing the fixture.
- Service should be performed by qualified personnel.
- These instructions may not cover all details or variations. If additional information is needed, please contact Visa Lighting.

# INSTALLATION INSTRUCTIONS

**VISA LIGHTING**  
AN OLDENBURG GROUP COMPANY  
1717 West Civic Drive Milwaukee, WI 53209  
414-354-6600  
Design Modification Rights Reserved  
© Visa Lighting 2016

Model: **CP5301, CP5303, CP5393, CP5395**  
Fixture Family: **AIR FOIL LED**  
Document Description: Installation Instructions for  
Air Foil Series Luminaires



## POWER/CABLE CONNECTION

### PREPARATION

**\*\* The structural support is suitable for a minimum 150 pound load.\*\***

Please consult a structural engineer for appropriate safety factors per local and national codes. Refer to sheet 3 for more details on support options. Support yoke is designed to fit inside of a 4" octagonal junction box, 2-1/8" deep.

### INSTRUCTIONS

1. Remove necessary knock-outs & junction box screw mounting tabs as necessary (refer to sheet 3 for further details) and securely install support yoke to building structure.
2. Install the SUPPORT BAR with CABLE FITTING and STRAIN RELIEF CLAMP to the SUPPORT YOKE with 1/4-20 SCREWS provided.
3. Hang fixture from the 1/8" diameter CABLE.
4. Adjust power cord to length and secure in the CORD RESTRAINT.
5. Make all wire connections per local and national codes.
6. Lift canopy into place and secure with set screws provided.

When using electrical equipment, basic safety precautions should always be followed, including the following:

- Read all instructions carefully before installing and save for future use.
- Make sure all connections are in accordance with the National Electrical Code and local regulations.
- To avoid possible electric shock, be sure the power supply is turned off before servicing or installing the fixture.
- Service should be performed by qualified personnel.
- These instructions may not cover all details or variations. If additional information is needed, please contact Visa Lighting.

Drawing: 762255XX

Rev: B

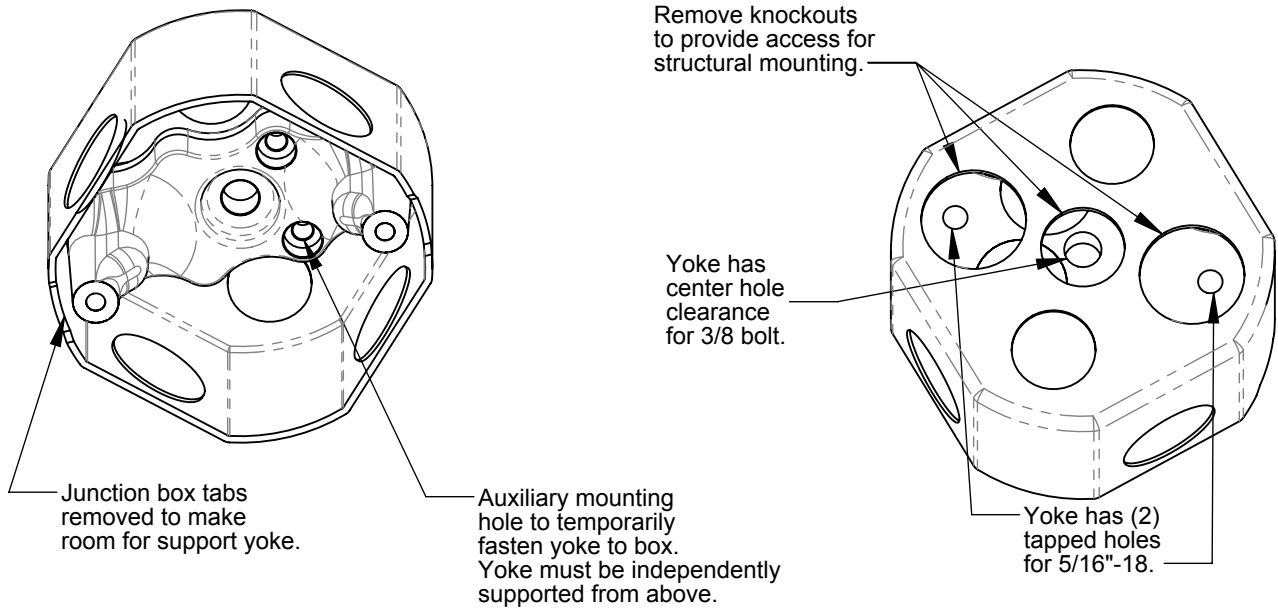
Sheet: 2 of 6

Eng: TJQ

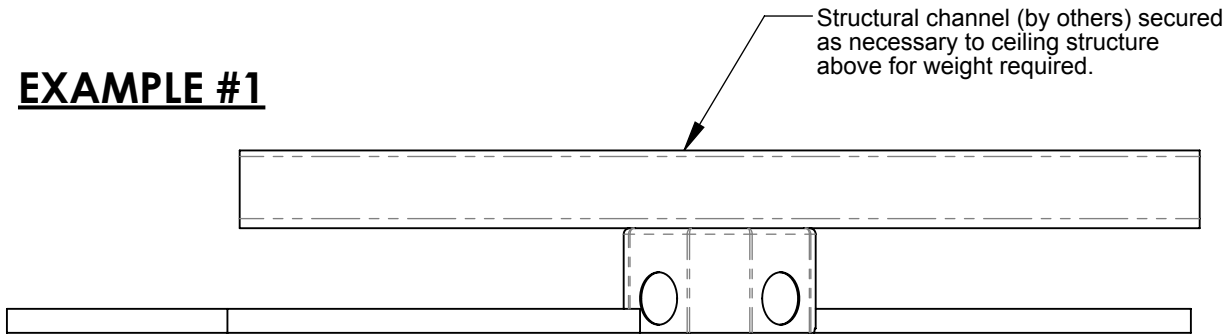
Date Drawn: 09/09/2016

# INSTALLATION INSTRUCTIONS

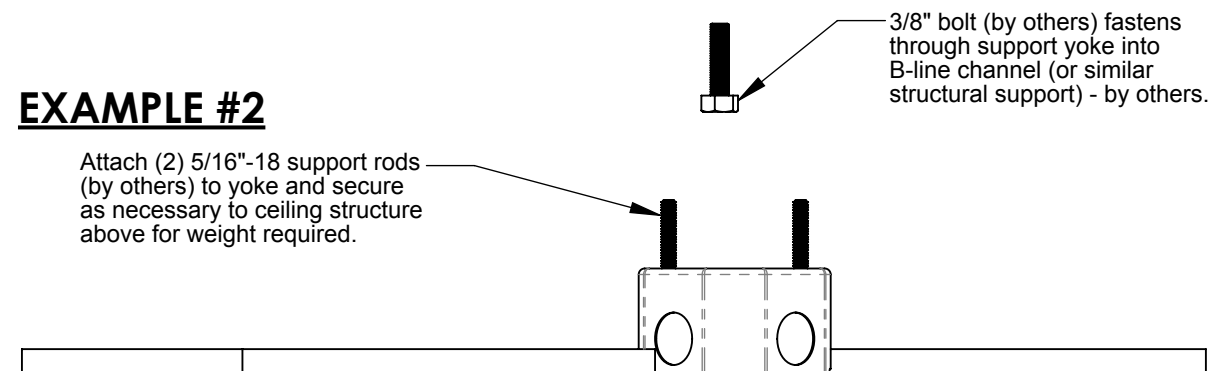
Model: **CP5301, CP5303, CP5393, CP5395**  
Fixture Family: **AIR FOIL LED**  
Document Description: Installation Instructions for  
Air Foil Series Luminaires



## **EXAMPLE #1**



## **EXAMPLE #2**

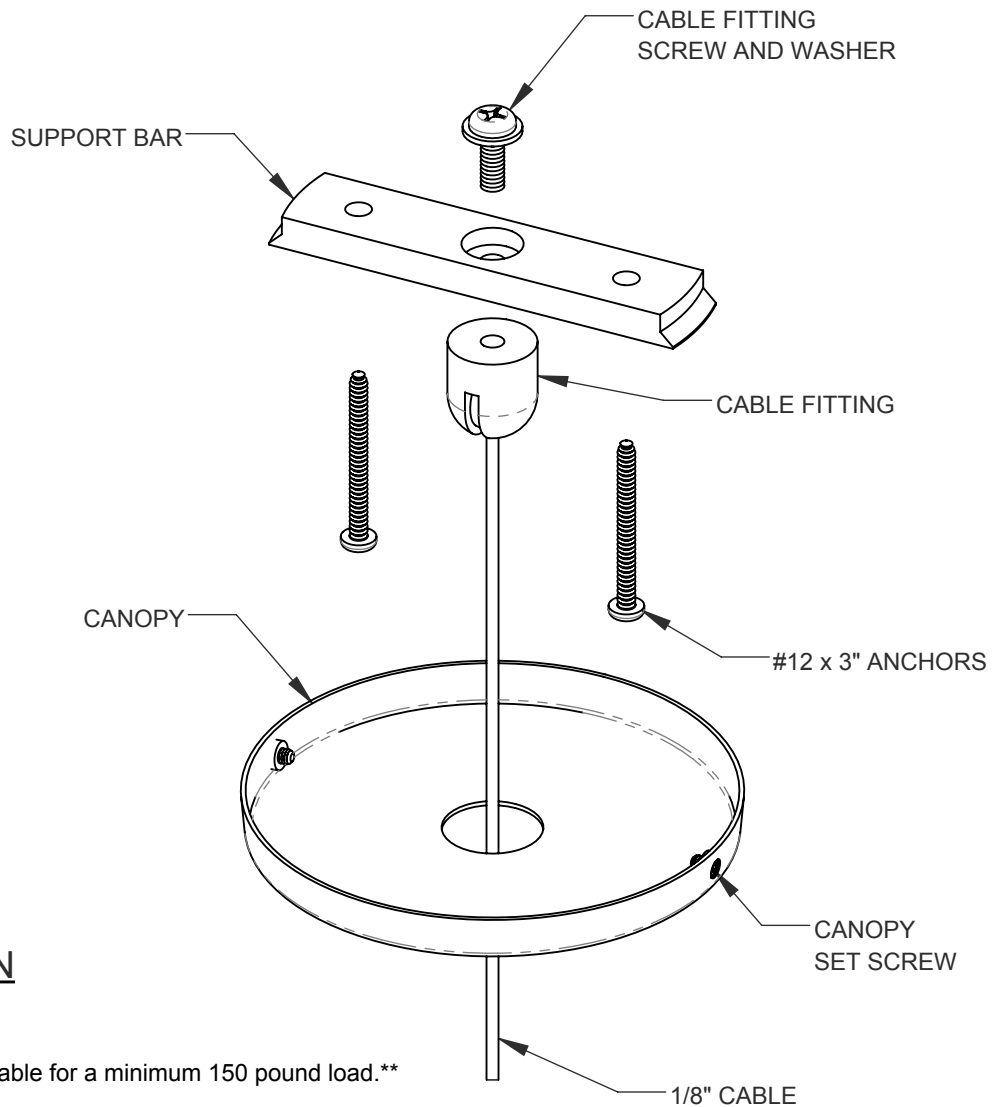


- !** When using electrical equipment, basic safety precautions should always be followed, including the following:
- Read all instructions carefully before installing and save for future use.
  - Make sure all connections are in accordance with the National Electrical Code and local regulations.
  - To avoid possible electric shock, be sure the power supply is turned off before servicing or installing the fixture.
  - Service should be performed by qualified personnel.
  - These instructions may not cover all details or variations. If additional information is needed, please contact Visa Lighting.

# INSTALLATION INSTRUCTIONS

Model: **CP5301, CP5303, CP5393, CP5395**  
Fixture Family: **AIR FOIL LED**  
Document Description: Installation Instructions for  
Air Foil Series Luminaires

**VISA LIGHTING**  
AN OLDENBURG GROUP COMPANY  
1717 West Civic Drive Milwaukee, WI 53209  
414-354-6600  
Design Modification Rights Reserved  
© Visa Lighting



## CABLE CONNECTION

### PREPARATION

**\*\* The structural support to be suitable for a minimum 150 pound load.\*\***

Please consult a structural engineer for appropriate safety factors per local and national codes. Provided anchors are intended for wooden structural support. If structural support is not wood, provide appropriate anchors.

### INSTRUCTIONS

1. Assemble SUPPORT BAR with CABLE FITTING using provided SCREW and WASHER.
2. Mount SUPPORT BAR to structural support with provided ANCHORS.
3. Lift canopy into place and secure with provided set screws.

When using electrical equipment, basic safety precautions should always be followed, including the following:

- Read all instructions carefully before installing and save for future use.
- Make sure all connections are in accordance with the National Electrical Code and local regulations.
- To avoid possible electric shock, be sure the power supply is turned off before servicing or installing the fixture.
- Service should be performed by qualified personnel.
- These instructions may not cover all details or variations. If additional information is needed, please contact Visa Lighting.

Drawing: 762255XX

Rev: B

Sheet: 4 of 6

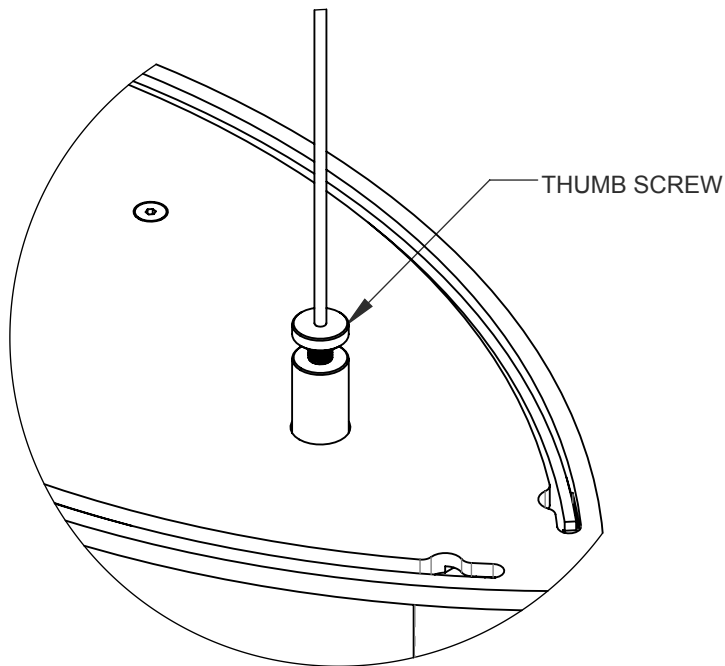
Eng: TJD

Date Drawn: 09/09/2016

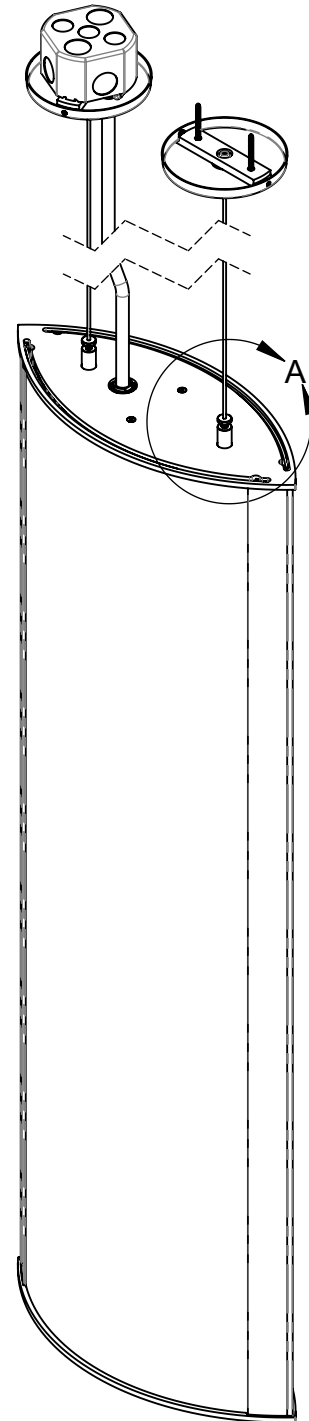
# INSTALLATION INSTRUCTIONS

Model: **CP5301, CP5303, CP5393, CP5395**  
Fixture Family: **AIR FOIL LED**  
Document Description: Installation Instructions for  
Air Foil Series Luminaires

**VISA LIGHTING**  
AN OLDENBURG GROUP COMPANY  
1717 West Civic Drive Milwaukee, WI 53209  
414-354-6600  
Design Modification Rights Reserved  
© Visa Lighting



DETAIL A  
SCALE 1 : 2



## INSTRUCTIONS

1. Install canopy per sheets 2 and 3.
2. Loosen THUMB SCREWS to farthest position.
3. Insert 1/8" CABLE.
4. Adjust fixture to desired height.
5. Tighten THUMB SCREWS.
6. Attach power cord per sheet 2.

When using electrical equipment, basic safety precautions should always be followed, including the following:

- Read all instructions carefully before installing and save for future use.
- Make sure all connections are in accordance with the National Electrical Code and local regulations.
- To avoid possible electric shock, be sure the power supply is turned off before servicing or installing the fixture.
- Service should be performed by qualified personnel.
- These instructions may not cover all details or variations. If additional information is needed, please contact Visa Lighting.

Drawing: 762255XX

Rev: B

Sheet: 5 of 6

Eng: TJQ

Date Drawn: 09/09/2016

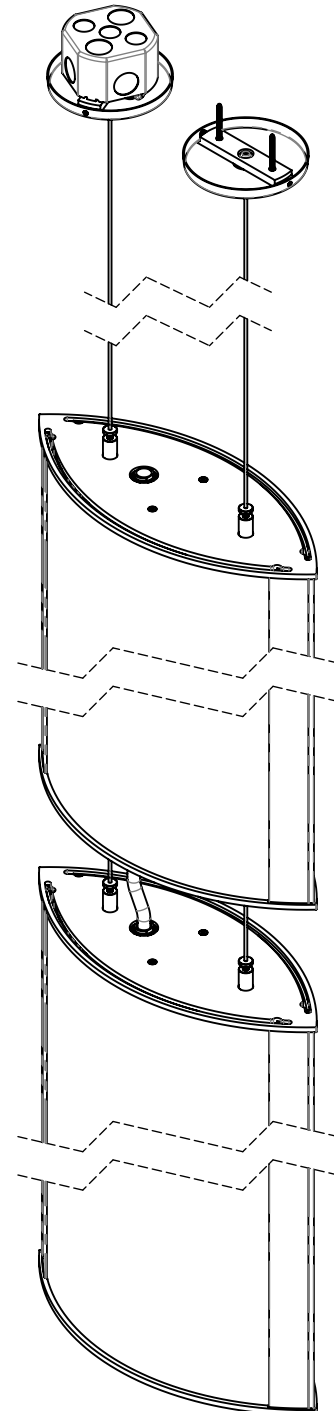
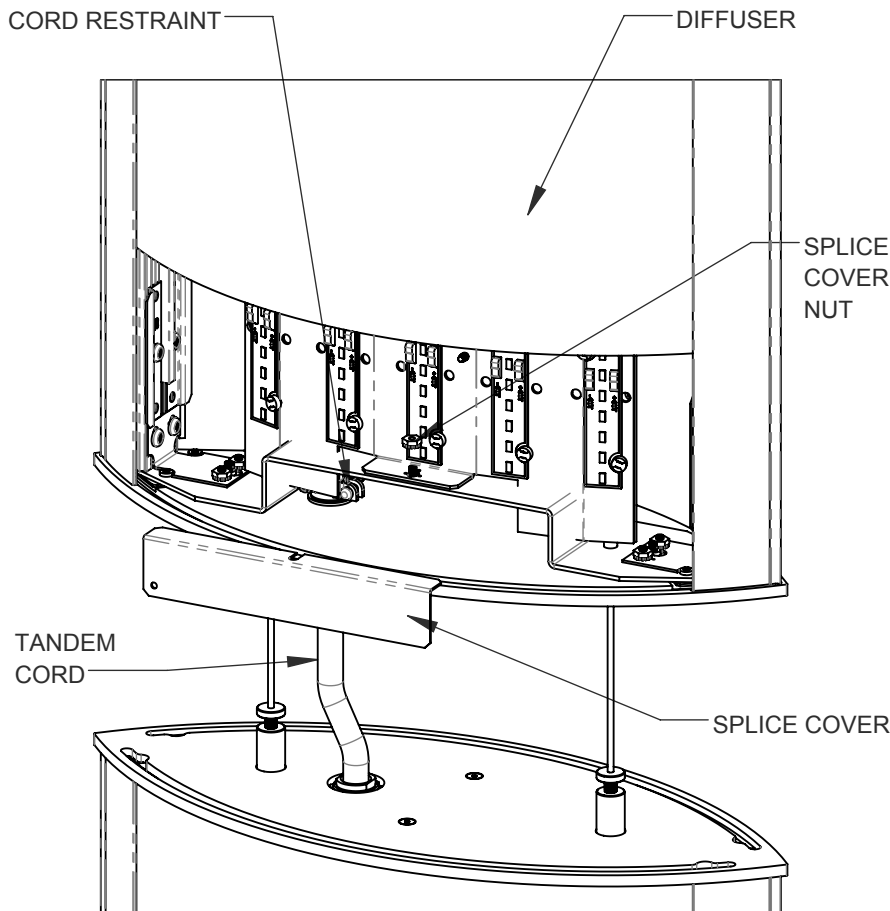
# INSTALLATION INSTRUCTIONS

Model: **CP5301, CP5303, CP5393, CP5395**  
Fixture Family: **AIR FOIL LED**  
Document Description: Installation Instructions for  
Air Foil Series Luminaires

**VISA LIGHTING**  
AN OLDENBURG GROUP COMPANY  
1717 West Civic Drive Milwaukee, WI 53209  
414-354-6600  
Design Modification Rights Reserved  
© Visa Lighting

## INSTRUCTIONS

1. Loosen THUMB SCREWS of upper fixture to farthest position.
2. Insert 1/8" CABLE and push through upper fixture until it exits bottom of fixture.
3. Adjust fixture to desired height.
4. Tighten THUMB SCREWS.
5. Attach power cord per sheet 2.
6. Loosen THUMSCREWS of lower fixture to farthest position.
7. Insert 1/8" CABLE approximately 1.5 inches.
8. Tighten THUMB SCREWS.
8. Raise DIFFUSER of upper fixture to access the splice compartment.
9. Remove SPLICE COVER NUT and SPLICE COVER.
10. Route TANDEM CORD through CORD RESTRAINT into splice compartment.
11. Tighten CORD RESTRAINT.
12. Make splice connections.
13. Replace SPLICE COVER and SPLICE COVER NUT.
14. Lower LENS.



Drawing: 762255XX

Rev: B

Sheet: 6 of 6

Eng: TJD

Date Drawn: 09/09/2016

When using electrical equipment, basic safety precautions should always be followed, including the following:

- Read all instructions carefully before installing and save for future use.
- Make sure all connections are in accordance with the National Electrical Code and local regulations.
- To avoid possible electric shock, be sure the power supply is turned off before servicing or installing the fixture.
- Service should be performed by qualified personnel.
- These instructions may not cover all details or variations. If additional information is needed, please contact Visa Lighting.