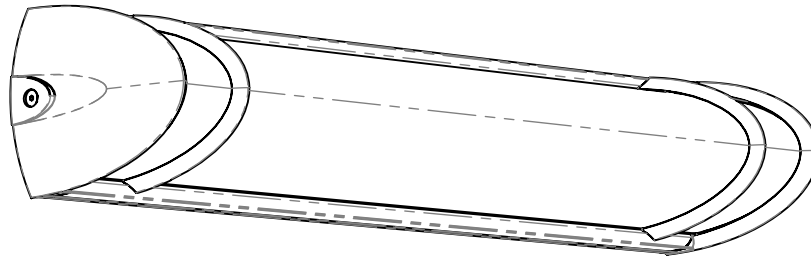


INSTALLATION INSTRUCTIONS

Model: **CV1800-06, CV1818-28**
Fixture Family: **INDOOR RAVEN**
Document Description: Installation Instructions for
RAVEN Series Luminaires

VISA LIGHTING
1717 West Civic Drive Milwaukee, WI 53209
414-354-6600
Design Modification Rights Reserved
© Visa Lighting 2016



*SIZE MAY VARY

RAVEN INDOOR

CV1800	CV1802
CV1804	CV1806
CV1818	CV1820
CV1822	CV1824
CV1826	CV1828

Drawing: 762267XX

Rev: B

Sheet: 1 of 2

Eng: CLD

Date Drawn: 05/08/17

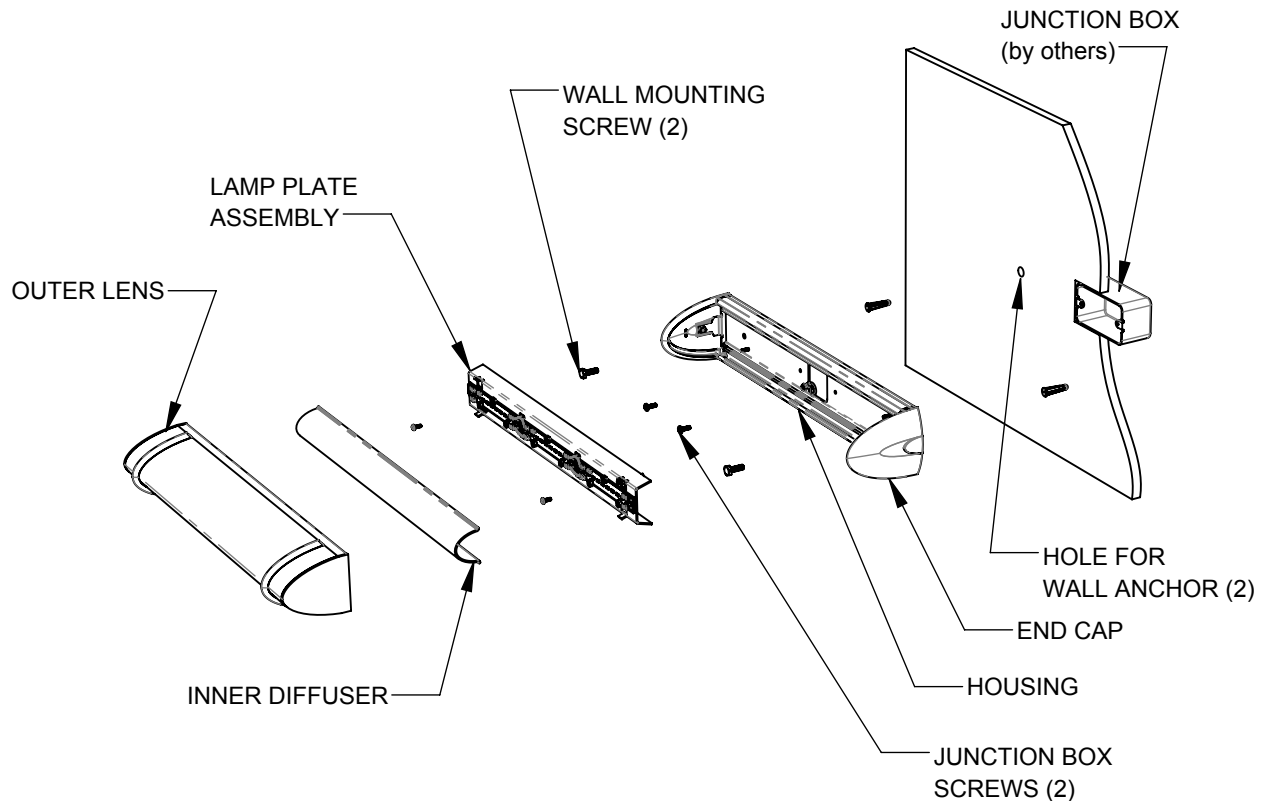
! When using electrical equipment, basic safety precautions should always be followed, including the following:

- Read all instructions carefully before installing and save for future use.
- Make sure all connections are in accordance with the National Electrical Code and local regulations.
- To avoid possible electric shock, be sure the power supply is turned off before servicing or installing the fixture.
- Service should be performed by qualified personnel.
- These instructions may not cover all details or variations. If additional information is needed, please contact Visa Lighting.

INSTALLATION INSTRUCTIONS

Model: **CV1800-06, CV1818-28**
Fixture Family: **INDOOR RAVEN**
Document Description: Installation Instructions for
RAVEN Series Luminaires

VISA LIGHTING
1717 West Civic Drive Milwaukee, WI 53209
414-354-6600
Design Modification Rights Reserved
© Visa Lighting



Drawing: 762267XX

Rev: B

Sheet: 2 of 2

Eng: CLD

Date Drawn: 05/08/17

1. Carefully remove outer lens by loosening the screws on each side of end cap. Remove the inner lens from fixture and set aside.
2. Remove the lamp plate assembly from the housing by removing the lamp plate screws.
3. Secure the housing to the junction box with junction box screws (by others). Make sure fixture is level or plum, depending on the orientation, and mark the holes on the mounting surface for the wall anchors using the mounting holes on the housing.
4. Remove housing from junction box (by others). Drill holes in mounting surface for the wall anchors.
5. Reinstall housing to junction box with junction box screws (by others), and secure to mounting surface with wall mounting screws.
6. Make wire connections according to local and national codes. Install lamp plate assembly and secure using the lamp plate screws.
7. Carefully install the inner lens into the clips on the lamp plate assembly.
8. Install lens assembly by pulling top of cast end caps in direction of arrows and push lens into gasketing in back plate assembly (See page 3 for instructions). Be sure that lens assembly is seated against the gasket and captivated by the end caps.

When using electrical equipment, basic safety precautions should always be followed, including the following:

- Read all instructions carefully before installing and save for future use.
- Make sure all connections are in accordance with the National Electrical Code and local regulations.
- To avoid possible electric shock, be sure the power supply is turned off before servicing or installing the fixture.
- Service should be performed by qualified personnel.
- These instructions may not cover all details or variations. If additional information is needed, please contact Visa Lighting.