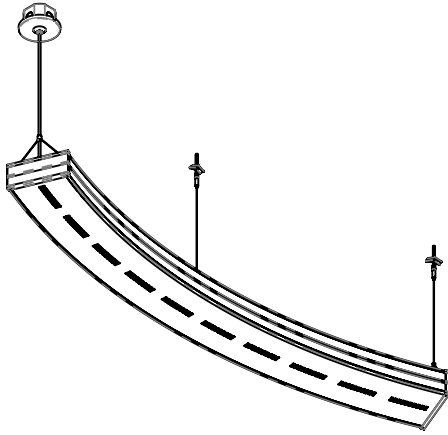


INSTALLATION INSTRUCTIONS

Model: **CURVED, STRAIGHT, AND ROUND**
Fixture Family: **INFINITY PERFORMANCE LED**
Document Description: Installation Instructions for
INFINITY PERFORMANCE LED Series Luminaires

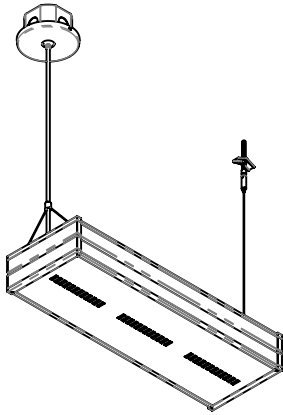
VISA LIGHTING
AN OLDENBURG GROUP COMPANY
1717 West Civic Drive Milwaukee, WI 53209
414-354-6600
Design Modification Rights Reserved
© Visa Lighting 2016

INFINITY PERFORMANCE LED



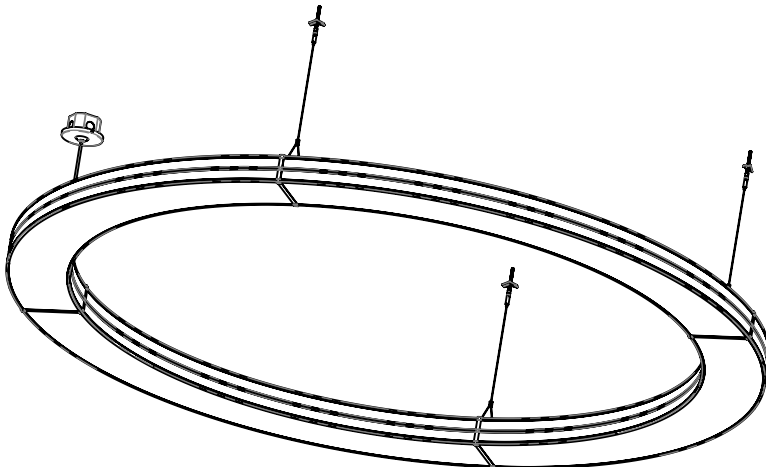
PAGE 3

**CP5002
CP5004
CP5006**



PAGE 4

CP5014



PAGE 5

**CP5020
CP5022**

Drawing: 762270XX

Rev: B

Sheet: 1 of 11

Eng: CLD

Date Drawn: 07/19/17

- !** When using electrical equipment, basic safety precautions should always be followed, including the following:
- Read all instructions carefully before installing and save for future use.
 - Make sure all connections are in accordance with the National Electrical Code and local regulations.
 - To avoid possible electric shock, be sure the power supply is turned off before servicing or installing the fixture.
 - Service should be performed by qualified personnel.
 - These instructions may not cover all details or variations. If additional information is needed, please contact Visa Lighting.

INSTALLATION INSTRUCTIONS

Model: **CURVED, STRAIGHT, AND ROUND**
Fixture Family: **INFINITY PERFORMANCE LED**
Document Description: Installation Instructions for
INFINITY PERFORMANCE LED Series Luminaires

 **VISA LIGHTING**
AN OLDENBURG GROUP COMPANY
1717 West Civic Drive Milwaukee, WI 53209
414-354-6600
Design Modification Rights Reserved
© Visa Lighting

TABLE OF CONTENTS

PAGE 3 (CURVED)
CP5002, CP5004, CP5006 INSTRUCTIONS

PAGE 4 (STRAIGHT)
CP5014 INSTRUCTIONS

PAGE 5 (ROUND)
CP5020, CP5022 INSTRUCTIONS

PAGE 6
INFINITY PERFORMANCE CONNECTIONS

PAGE 7
AIRCRAFT CABLE AND POWER CORD INSTALLATION

PAGE 8 (CP5002, CP5004, CP5006, CP5014)
FIXTURE MOUNTING CENTERS AND DIMENSIONS
(STRAIGHT AND CURVED)

PAGE 9 (CP5020)
FIXTURE MOUNTING CENTERS AND DIMENSIONS
(8 FT ROUND)

PAGE 10 (CP5022)
FIXTURE MOUNTING CENTERS AND DIMENSIONS
(16 FT ROUND)

PAGE 11
DAMP LOCATION WARNING

Drawing: 762270XX

Rev: B

Sheet: 2 of 11

Eng: CLD

Date Drawn: 07/19/17

 When using electrical equipment, basic safety precautions should always be followed, including the following:

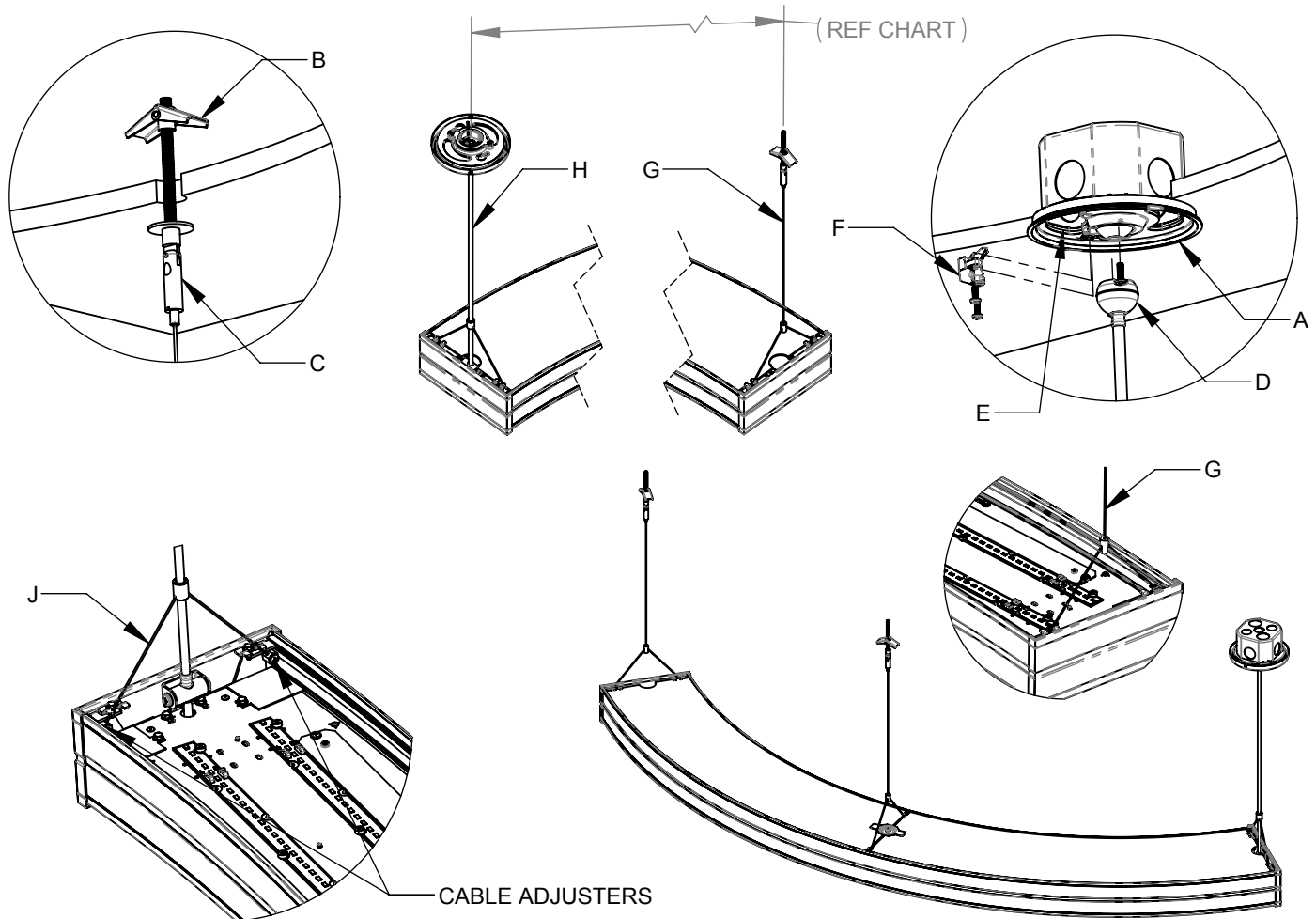
- Read all instructions carefully before installing and save for future use.
- Make sure all connections are in accordance with the National Electrical Code and local regulations.
- To avoid possible electric shock, be sure the power supply is turned off before servicing or installing the fixture.
- Service should be performed by qualified personnel.
- These instructions may not cover all details or variations. If additional information is needed, please contact Visa Lighting.

INSTALLATION INSTRUCTIONS

Model: **CURVED, STRAIGHT, AND ROUND**
 Fixture Family: **INFINITY PERFORMANCE LED**
 Document Description: Installation Instructions for
 INFINITY PERFORMANCE LED Series Luminaires

VISA LIGHTING
 AN OLDENBURG GROUP COMPANY
 1717 West Civic Drive Milwaukee, WI 53209
 414-354-6600
 Design Modification Rights Reserved
 © Visa Lighting

CP5002, CP5004, CP5006



1. Depending on the length of the screws supplied with the junction box (by others), you may need to use the longer screws provided. Fasten Cast Swivel Plate (A) to junction box.
2. For drywall ceilings, drill clearance hole for toggle bolt (B) per chart on center from center of junction box. For suspended ceilings, install 512 HD Caddy Clip (by others) at location per chart on center from center of junction box and supply a 1/4-20 all thread drop through ceiling. Install griplock assembly (C) keeping trim washer to the ceiling side and tighten. See page 8 for mounting dimensions.
3. While supporting the far end of fixture, lift the other fixture end and swivel ball (D) through slot (E) in the cast swivel plate and drop into center hub, aligning anti-rotation groove in swivel ball with tab in the cast swivel plate.
4. Fasten retainer (F) to cast swivel plate with screws provided.
5. Lift far end of fixture and push 1/16 stainless steel cable (G) into griplock assembly (C). Level fixture by adjusting griplock assembly and other griplock positions.
6. Make all wire connections per local and national codes.
7. Lift canopy (H) in place and secure with screws (I) provided.
8. Position non-supporting cable trim assembly (J) and slide o-ring (K) up to hold in place.

When using electrical equipment, basic safety precautions should always be followed, including the following:

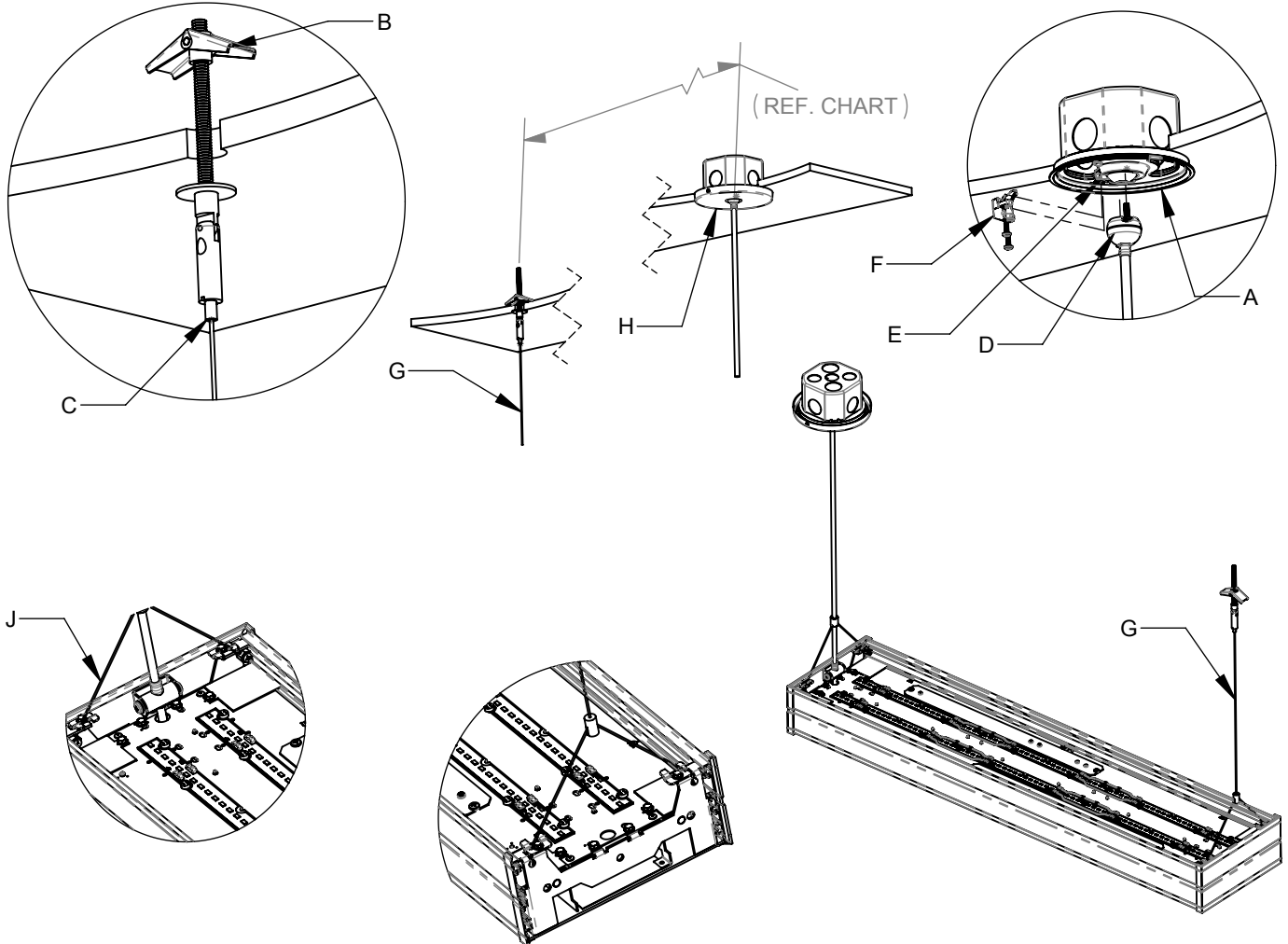
- Read all instructions carefully before installing and save for future use.
- Make sure all connections are in accordance with the National Electrical Code and local regulations.
- To avoid possible electric shock, be sure the power supply is turned off before servicing or installing the fixture.
- Service should be performed by qualified personnel.
- These instructions may not cover all details or variations. If additional information is needed, please contact Visa Lighting.

INSTALLATION INSTRUCTIONS

Model: **CURVED, STRAIGHT, AND ROUND**
 Fixture Family: **INFINITY PERFORMANCE LED**
 Document Description: Installation Instructions for
 INFINITY PERFORMANCE LED Series Luminaires

VISA LIGHTING
 AN OLDENBURG GROUP COMPANY
 1717 West Civic Drive Milwaukee, WI 53209
 414-354-6600
 Design Modification Rights Reserved
 © Visa Lighting

CP5014



1. Depending on the length of the screws supplied with the junction box (by others), you may need to use the longer screws provided. Fasten Cast Swivel Plate (A) to junction box.
2. For drywall ceilings, drill clearance hole for toggle bolt (B) per chart on center from center of junction box. For suspended ceilings, install 512 HD Caddy Clip (by others) at location per chart on center from center of junction box and supply a 1/4-20 all thread drop through ceiling. Install griplock assembly (C) keeping trim washer to the ceiling side and tighten. See page 8 for mounting dimensions.
3. While supporting the far end of fixture, lift the other fixture end and swivel ball (D) through slot (E) in the cast swivel plate and drop into center hub, aligning anti-rotation groove in swivel ball with tab in the cast swivel plate.
4. Fasten retainer (F) to cast swivel plate with screws provided.
5. Lift far end of fixture and push 1/16 stainless steel cable (G) into griplock assembly (C). Level fixture by adjusting griplock assembly and other griplock positions.
6. Make all wire connections per local and national codes.
7. Lift canopy (H) in place and secure with screws (I) provided.
8. Position non-supporting cable trim assembly (J) and slide o-ring (K) up to hold in place.

Drawing: 762270XX

Rev: B

Sheet: 4 of 11

Eng: CLD

Date Drawn: 07/19/17

When using electrical equipment, basic safety precautions should always be followed, including the following:

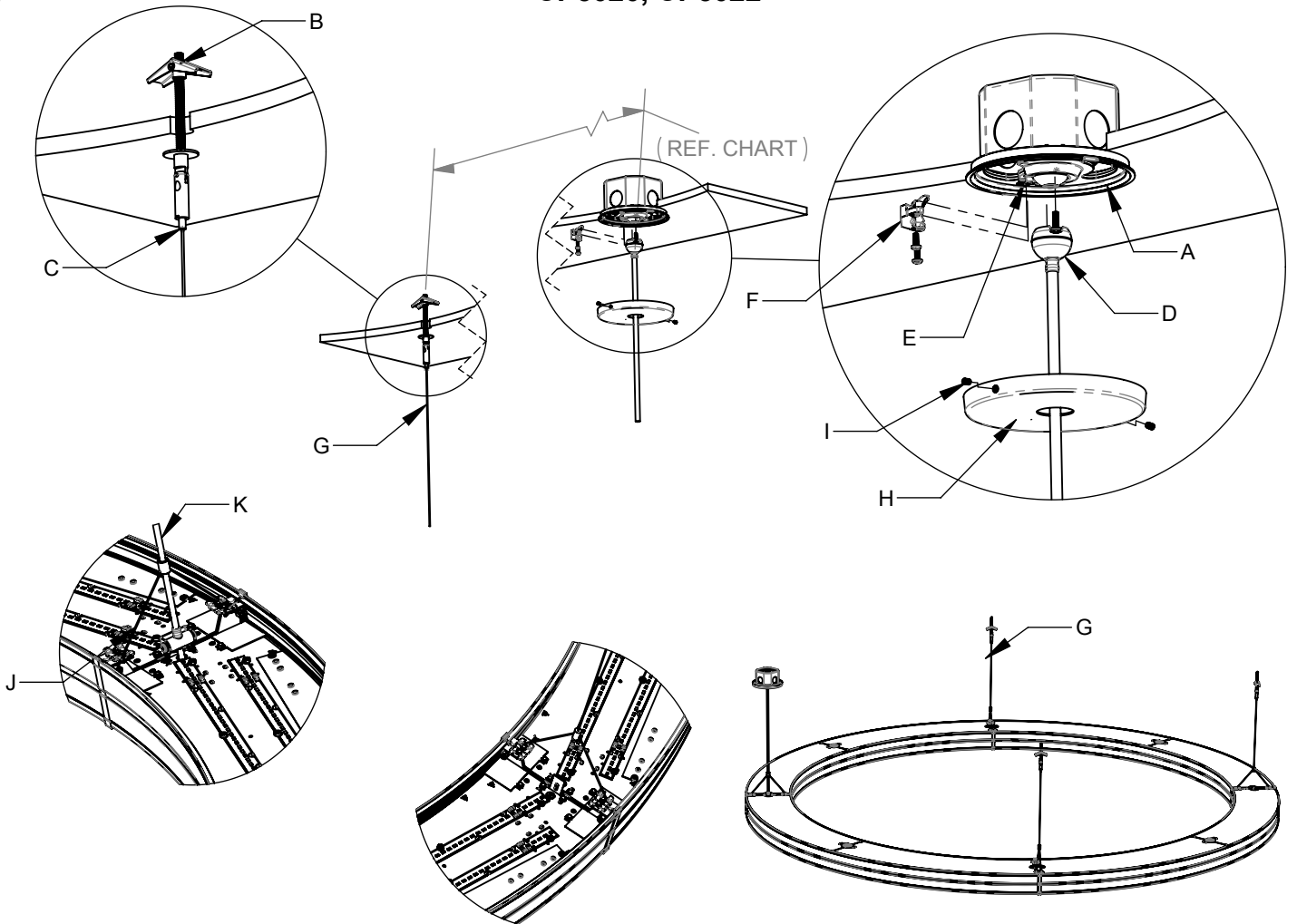
- Read all instructions carefully before installing and save for future use.
- Make sure all connections are in accordance with the National Electrical Code and local regulations.
- To avoid possible electric shock, be sure the power supply is turned off before servicing or installing the fixture.
- Service should be performed by qualified personnel.
- These instructions may not cover all details or variations. If additional information is needed, please contact Visa Lighting.

INSTALLATION INSTRUCTIONS

Model: **CURVED, STRAIGHT, AND ROUND**
 Fixture Family: **INFINITY PERFORMANCE LED**
 Document Description: Installation Instructions for
 INFINITY PERFORMANCE LED Series Luminaires

VISA LIGHTING
 AN OLDENBURG GROUP COMPANY
 1717 West Civic Drive Milwaukee, WI 53209
 414-354-6600
 Design Modification Rights Reserved
 © Visa Lighting

CP5020, CP5022



Drawing: 762270XX

Rev: B

Sheet: 5 of 11

Eng: CLD

Date Drawn: 07/19/17

1. Depending on the length of the screws supplied with the junction box (by others), you may need to use the longer screws provided. Fasten Cast Swivel Plate (A) to junction box.
2. For drywall ceilings, drill clearance hole for toggle bolt (B) per chart on center from center of junction box. For suspended ceilings, install 512 HD Caddy Clip (by others) at location per chart on center from center of junction box and supply a 1/4-20 all thread drop through ceiling. Install griplock assembly (C) keeping trim washer to the ceiling side and tighten. See page 9 for mounting dimensions.
3. While supporting the far end of fixture, lift the other fixture end and swivel ball (D) through slot (E) in the cast swivel plate and drop into center hub, aligning anti-rotation groove in swivel ball with tab in the cast swivel plate.
4. Fasten retainer (F) to cast swivel plate with screws provided.
5. Lift far end of fixture and push 1/16 stainless steel cable (G) into griplock assembly (C). Level fixture by adjusting griplock assembly and other griplock positions.
6. Make all wire connections per local and national codes.
7. Lift canopy (H) in place and secure with screws (I) provided.
8. Position non-supporting cable trim assembly (J) and slide o-ring (K) up to hold in place.

! When using electrical equipment, basic safety precautions should always be followed, including the following:

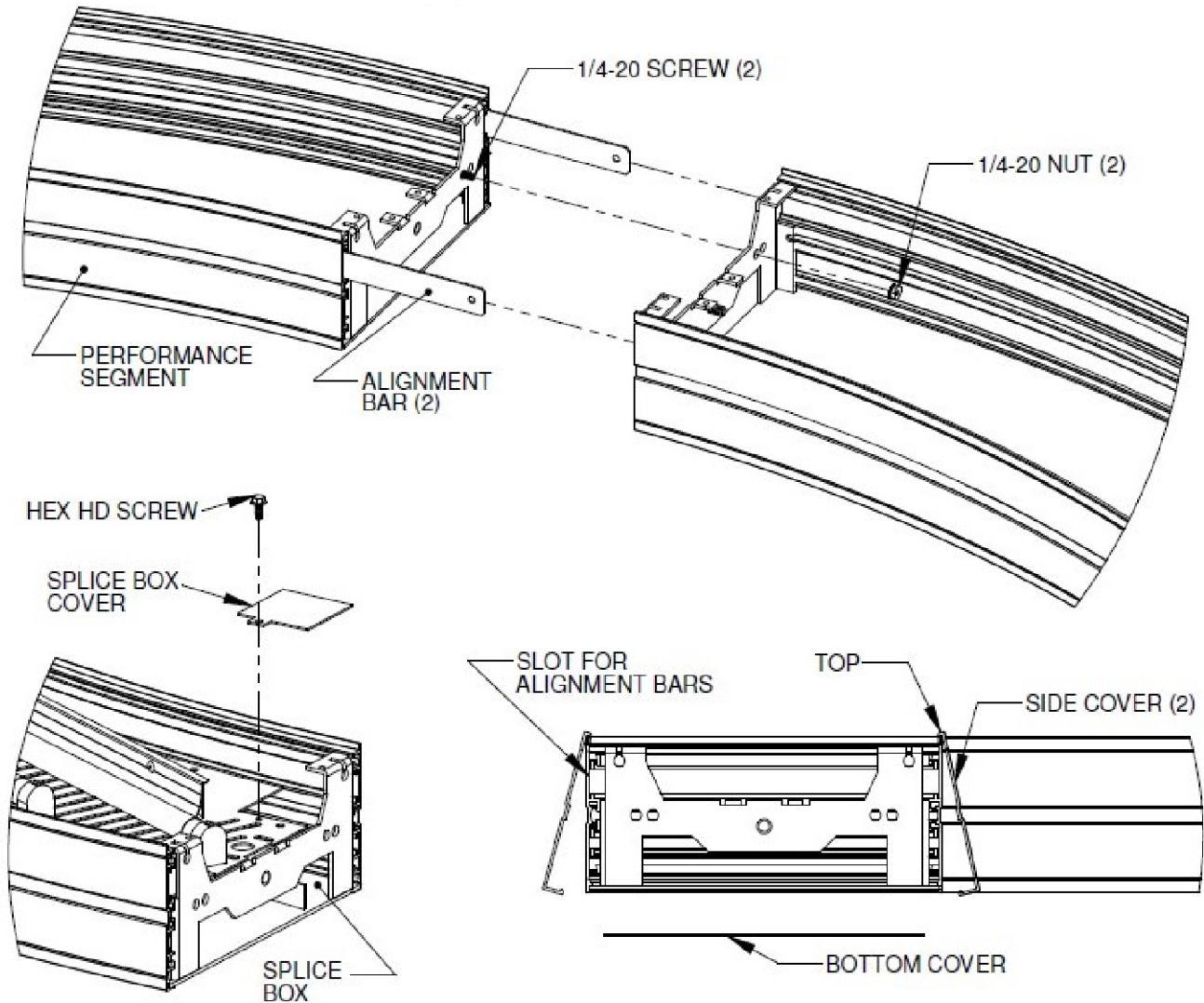
- Read all instructions carefully before installing and save for future use.
- Make sure all connections are in accordance with the National Electrical Code and local regulations.
- To avoid possible electric shock, be sure the power supply is turned off before servicing or installing the fixture.
- Service should be performed by qualified personnel.
- These instructions may not cover all details or variations. If additional information is needed, please contact Visa Lighting.

INSTALLATION INSTRUCTIONS

Model: **CURVED, STRAIGHT, AND ROUND**
Fixture Family: **INFINITY PERFORMANCE LED**
Document Description: Installation Instructions for
INFINITY PERFORMANCE LED Series Luminaires

VISA LIGHTING
AN OLDENBURG GROUP COMPANY
1717 West Civic Drive Milwaukee, WI 53209
414-354-6600
Design Modification Rights Reserved
© Visa Lighting

INFINITY PERFORMANCE CONNECTIONS



1. Slide the alignment bars (2) into the grooves of the extrusion at the end of one of the two segments to be joined.
2. Position the two segments with the two alignment bars started into the second segment.
3. Unscrew hex head screw to remove splice box covers.
3. Make electrical connections per code and push the wires back into the segment splice box.
4. Slide the two segments together and secure with 1/4-20 screws and nuts. Screw splice box cover back onto lamplate. (Note: Lamplate removed from illustration so screw and nut connection can be seen)
5. Remove cover from double sided tape on the side covers, hook the top over the extrusion spanning the joint and snap the covers in place, centering the cover on the joint. Install the bottom cover to complete the joint connection.

When using electrical equipment, basic safety precautions should always be followed, including the following:

- Read all instructions carefully before installing and save for future use.
- Make sure all connections are in accordance with the National Electrical Code and local regulations.
- To avoid possible electric shock, be sure the power supply is turned off before servicing or installing the fixture
- Service should be performed by qualified personnel.
- These instructions may not cover all details or variations. If additional information is needed, please contact Visa Lighting.

Drawing: 762270XX

Rev: B

Sheet: 6 of 11

Eng: CLD

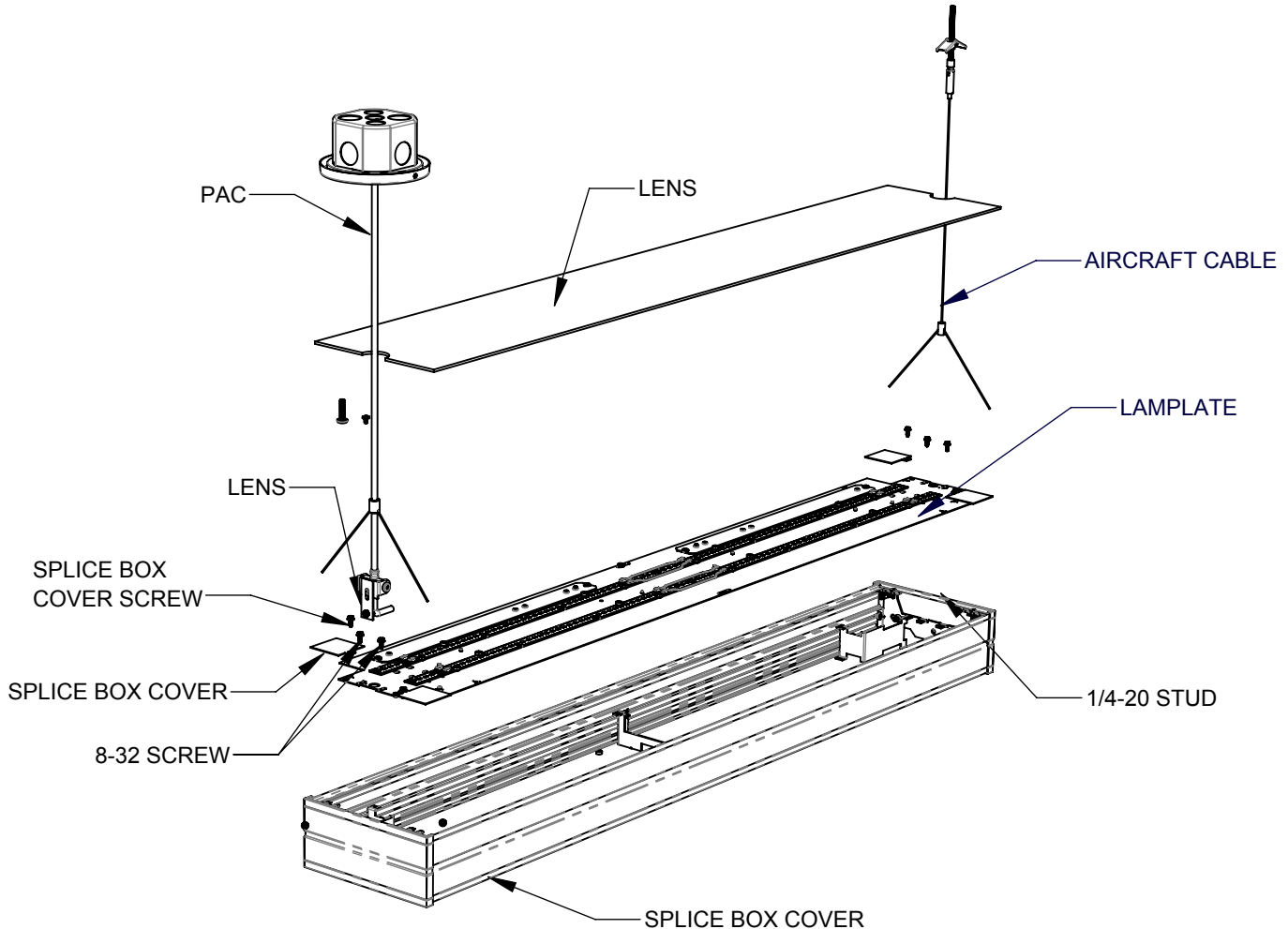
Date Drawn: 07/19/17

INSTALLATION INSTRUCTIONS

Model: **CURVED, STRAIGHT, AND ROUND**
Fixture Family: **INFINITY PERFORMANCE LED**
Document Description: Installation Instructions for
INFINITY PERFORMANCE LED Series Luminaires

VISA LIGHTING
AN OLDENBURG GROUP COMPANY
1717 West Civic Drive Milwaukee, WI 53209
414-354-6600
Design Modification Rights Reserved
© Visa Lighting

AIRCRAFT CABLE AND POWER CORD INSTALLATION



1. Remove glass lens(es) by unscrewing the lens clips at both ends of fixture and set aside.
2. Unscrew splice box cover. Disconnect power and ground wires and cap off according to electrical standard practice.
3. Unscrew lamplate to access Power Art Cable (PAC) connection.
4. Remove 1/4-20 nut which secures PAC.
5. If necessary remove PAC from the PAC plate by removing the #8 screw. Attach the plate to the 1/4-20 stud on the other end, then put the wires through the lamplate and reattach to the PAC plate.
6. Make all electrical connections within the splice box, which already contains another set of lead wires.
7. Reattach lamplate, splice box covers, glass lens(es), and aircraft cable at opposite end.

When using electrical equipment, basic safety precautions should always be followed, including the following:

- Read all instructions carefully before installing and save for future use.
- Make sure all connections are in accordance with the National Electrical Code and local regulations.
- To avoid possible electric shock, be sure the power supply is turned off before servicing or installing the fixture.
- Service should be performed by qualified personnel.
- These instructions may not cover all details or variations. If additional information is needed, please contact Visa Lighting.

Drawing: 762270XX

Rev: B

Sheet: 7 of 11

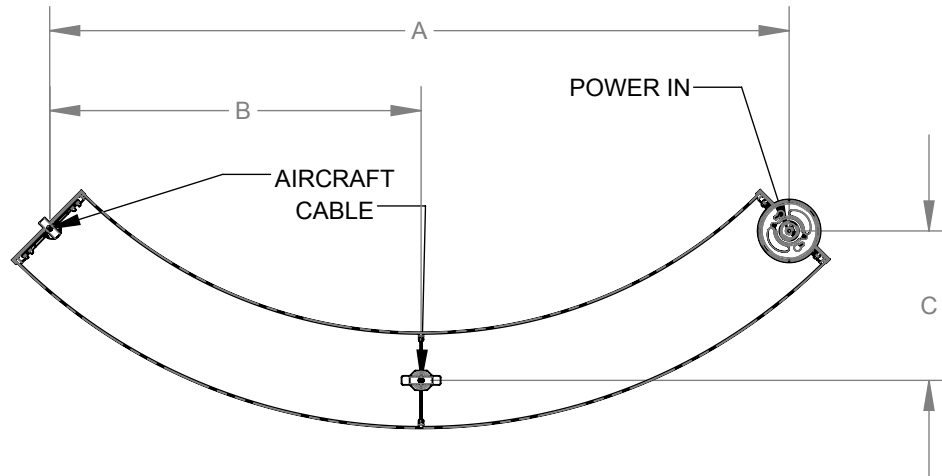
Eng: CLD

Date Drawn: 07/19/17

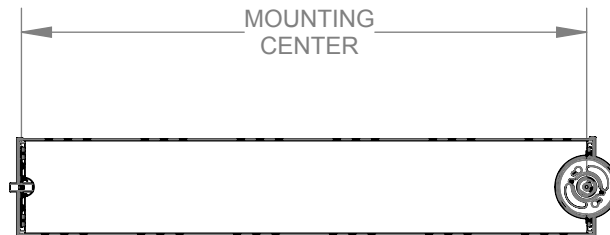
INSTALLATION INSTRUCTIONS

Model: **CURVED, STRAIGHT, AND ROUND**
 Fixture Family: **INFINITY PERFORMANCE LED**
 Document Description: Installation Instructions for
 INFINITY PERFORMANCE LED Series Luminaires

FIXTURE MOUNTING CENTER AND DIMENSIONS (STRAIGHT AND CURVED)



MODEL	CP5002	CP5004	CP5006
A	12-3/4"	6-7/8"	8-3/4"
B	62"	70"	88-1/4"
C	31"	35"	44-1/8"



MODEL	MOUNTING CENTER
CP5014	47-3/8"

Drawing: 762270XX

Rev: B

Sheet: 8 of 11

Eng: CLD

Date Drawn: 07/19/17

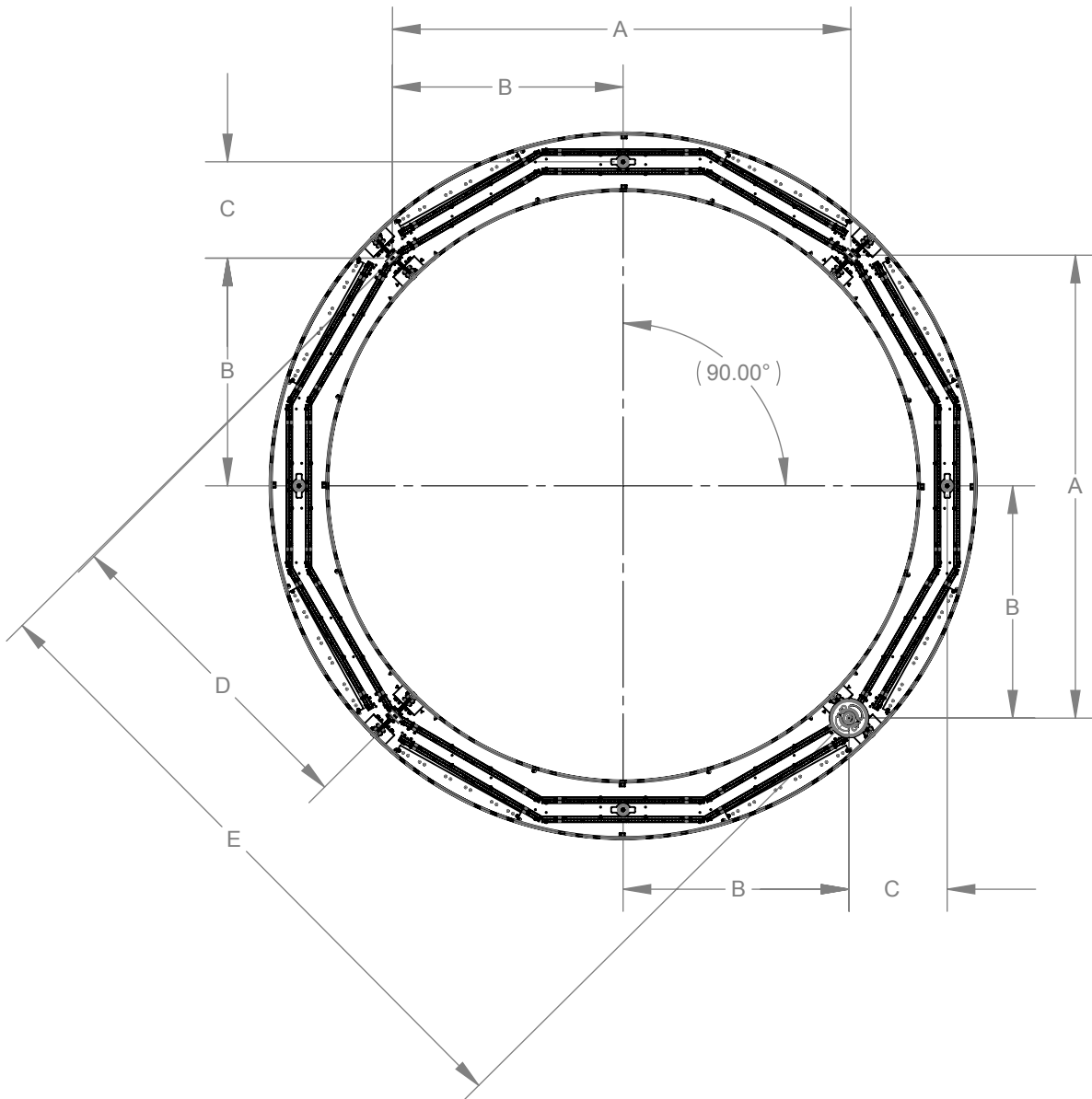
- !** When using electrical equipment, basic safety precautions should always be followed, including the following:
- Read all instructions carefully before installing and save for future use.
 - Make sure all connections are in accordance with the National Electrical Code and local regulations.
 - To avoid possible electric shock, be sure the power supply is turned off before servicing or installing the fixture.
 - Service should be performed by qualified personnel.
 - These instructions may not cover all details or variations. If additional information is needed, please contact Visa Lighting.

INSTALLATION INSTRUCTIONS

Model: **CURVED, STRAIGHT, AND ROUND**
 Fixture Family: **INFINITY PERFORMANCE LED**
 Document Description: Installation Instructions for
 INFINITY PERFORMANCE LED Series Luminaires

FIXTURE MOUNTING CENTERS AND DIMENSIONS 8 FT ROUND (CP5020)

CP5020	DIMENSION
A	62"
B	31"
C	12-3/4"
D	44-9/32"
E	88"



Drawing: 762270XX

Rev: B

Sheet: 9 of 11

Eng: CLD

Date Drawn: 07/19/17

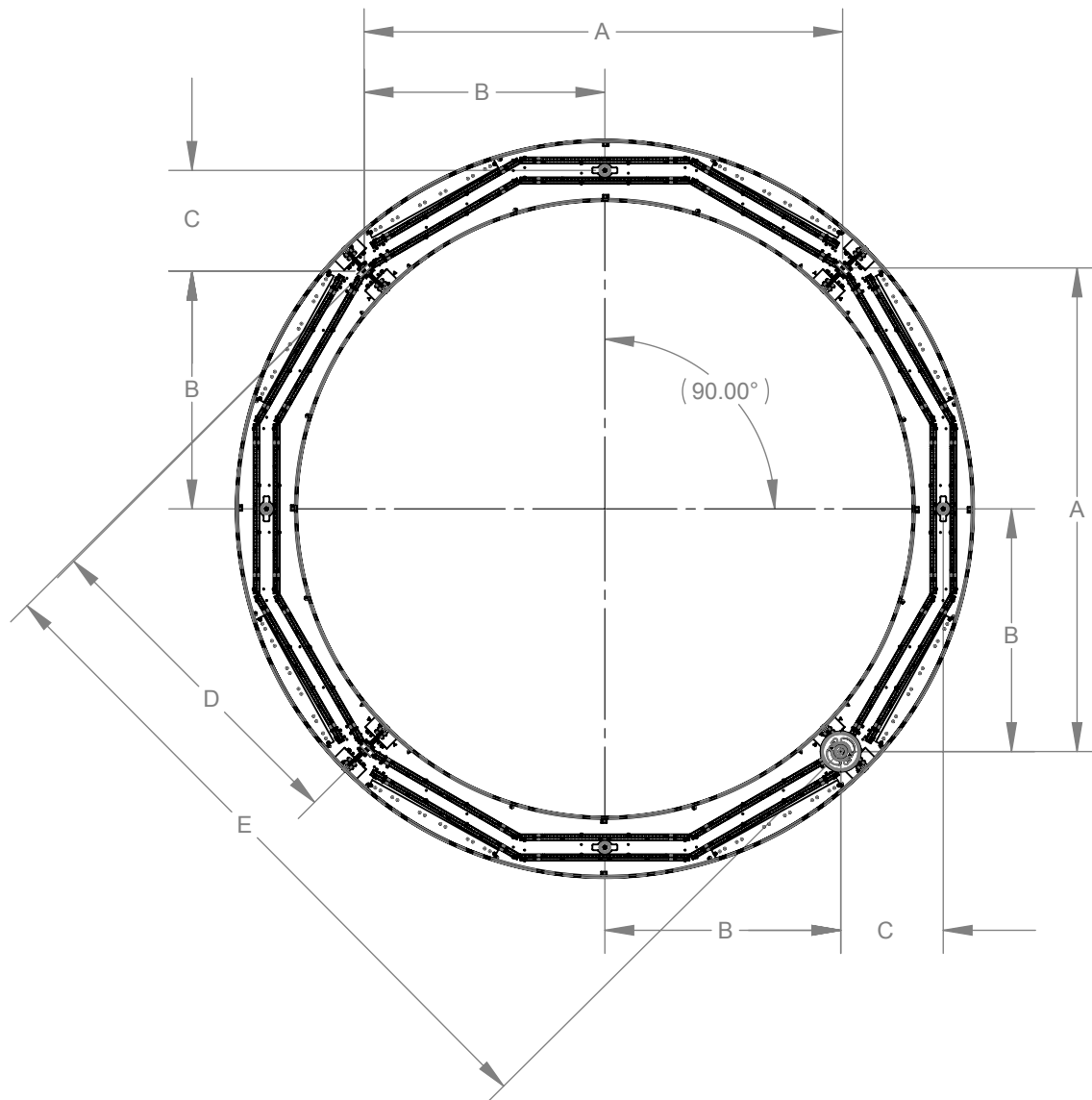
- !** When using electrical equipment, basic safety precautions should always be followed, including the following:
- Read all instructions carefully before installing and save for future use.
 - Make sure all connections are in accordance with the National Electrical Code and local regulations.
 - To avoid possible electric shock, be sure the power supply is turned off before servicing or installing the fixture.
 - Service should be performed by qualified personnel.
 - These instructions may not cover all details or variations. If additional information is needed, please contact Visa Lighting.

INSTALLATION INSTRUCTIONS

Model: **CURVED, STRAIGHT, AND ROUND**
 Fixture Family: **INFINITY PERFORMANCE LED**
 Document Description: Installation Instructions for
 INFINITY PERFORMANCE LED Series Luminaires

FIXTURE MOUNTING CENTERS AND DIMENSIONS 16FT ROUND (CP5022)

CP5022	DIMENSIONS
A	70"
B	35"
C	6-7/8"
D	92"
E	184"



Drawing: 762270XX

Rev: B

Sheet: 10 of 11

Eng: CLD

Date Drawn: 07/19/17

- !** When using electrical equipment, basic safety precautions should always be followed, including the following:
- Read all instructions carefully before installing and save for future use.
 - Make sure all connections are in accordance with the National Electrical Code and local regulations.
 - To avoid possible electric shock, be sure the power supply is turned off before servicing or installing the fixture.
 - Service should be performed by qualified personnel.
 - These instructions may not cover all details or variations. If additional information is needed, please contact Visa Lighting.

INSTALLATION INSTRUCTIONS

Model: **CURVED, STRAIGHT, AND ROUND**
Fixture Family: **INFINITY PERFORMANCE LED**
Document Description: Installation Instructions for
INFINITY PERFORMANCE LED Series Luminaires

 **VISA LIGHTING**
AN OLDENBURG GROUP COMPANY
1717 West Civic Drive Milwaukee, WI 53209
414-354-6600
Design Modification Rights Reserved
© Visa Lighting

WARNING

THIS FIXTURE IS INTENDED FOR DAMP INTERIOR APPLICATIONS ONLY. IT IS NOT SUITABLE FOR MOUNTING LOCATIONS OUTSIDE THE BUILDING. THIS FIXTURE IS NOT DESIGNED TO WITHSTAND OUTDOOR CONDITIONS SUCH AS WIND GUST. INSTALLATION OF THIS FIXTURE OUTSIDE OF AN ENCLOSED BUILDING WILL VOID THE WARRANTY, AND MAY CREATE AN UNSAFE CONDITION. EXPOSURE TO SUSTAINED WIND GUSTS MAY CAUSE THE FIXTURE TO FALL, RESULTING IN SERIOUS INJURY OR DEATH.

Drawing: 762270XX

Rev: B

Sheet: 11 of 11

Eng: CLD

Date Drawn: 07/19/17

 When using electrical equipment, basic safety precautions should always be followed, including the following:

- Read all instructions carefully before installing and save for future use.
- Make sure all connections are in accordance with the National Electrical Code and local regulations.
- To avoid possible electric shock, be sure the power supply is turned off before servicing or installing the fixture.
- Service should be performed by qualified personnel.

• These instructions may not cover all details or variations. If additional information is needed, please contact Visa Lighting.