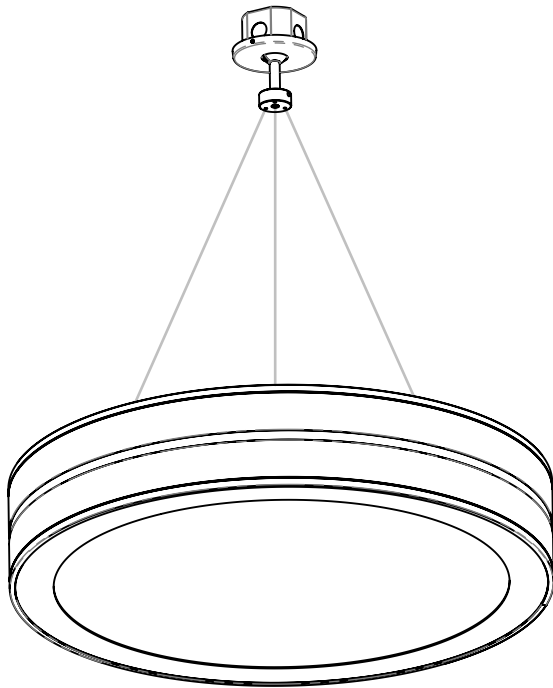


INSTALLATION INSTRUCTIONS

Model: **CP & CM FORTIMO**
Fixture Family: **OMNIENCE**
Document Description: Installation Instructions for
OMNIENCE LED Series Luminaires

VISA LIGHTING
AN OLDENBURG GROUP COMPANY
1717 West Civic Drive Milwaukee, WI 53209
414-354-6600
Design Modification Rights Reserved
© Visa Lighting 2016

OMNIENCE



*STYLE AND SIZE MAY VARY

PAGE 2: STEM MOUNT

CP3980
CP3985
CP3990

PAGE 3: CABLE MOUNT

CP3970
CP3975
CP3995

PAGE 4: CEILING MOUNT

CM1830

PAGE 5 and 6: MOUNTING INSTRUCTIONS

Drawing: 762278XX

Rev: A

Sheet: 1 of 6

Eng: CLD

Date Drawn: 08/31/17

! When using electrical equipment, basic safety precautions should always be followed, including the following:

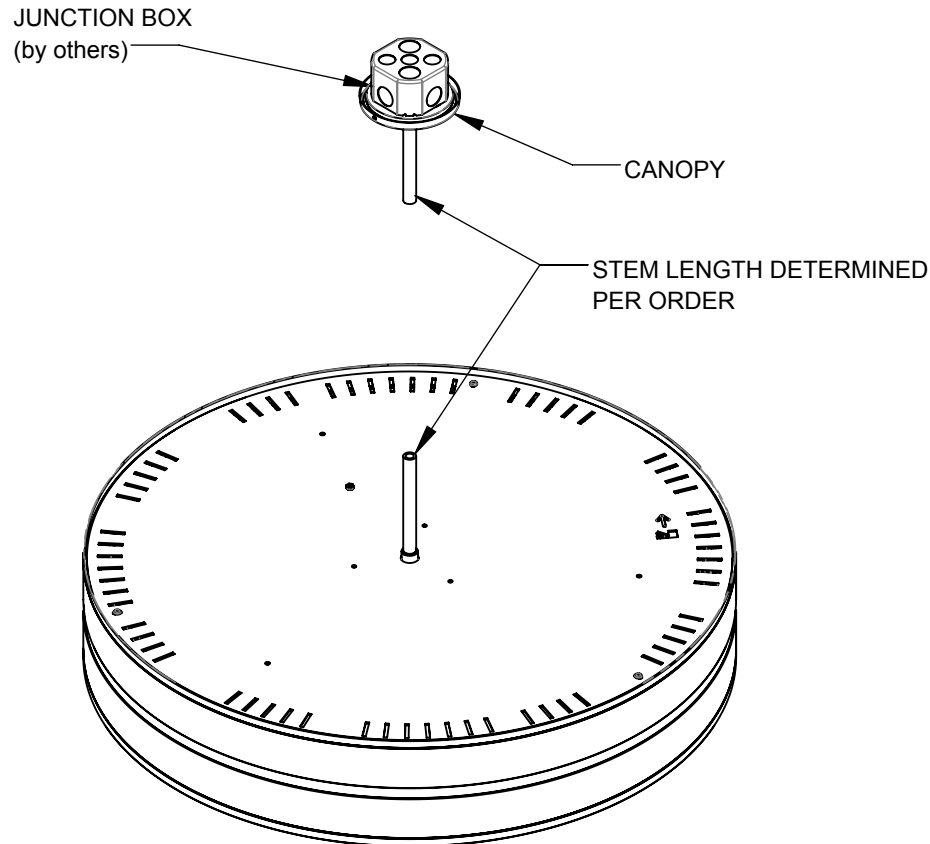
- Read all instructions carefully before installing and save for future use.
- Make sure all connections are in accordance with the National Electrical Code and local regulations.
- To avoid possible electric shock, be sure the power supply is turned off before servicing or installing the fixture.
- Service should be performed by qualified personnel.
- These instructions may not cover all details or variations. If additional information is needed, please contact Visa Lighting.

INSTALLATION INSTRUCTIONS

Model: **CP & CM FORTIMO**
Fixture Family: **OMNIENCE**
Document Description: Installation Instructions for
OMNIENCE LED Series Luminaires

VISA LIGHTING
AN OLDENBURG GROUP COMPANY
1717 West Civic Drive Milwaukee, WI 53209
414-354-6600
Design Modification Rights Reserved
© Visa Lighting

STEM MOUNT



1. Assemble swivel hanger and canopy per instructions on page 5.
2. Make all wire connections in accordance with all national and local codes.

Drawing: 762278XX

Rev: A

Sheet: 2 of 6

Eng: CLD

Date Drawn: 08/31/17

! When using electrical equipment, basic safety precautions should always be followed, including the following:

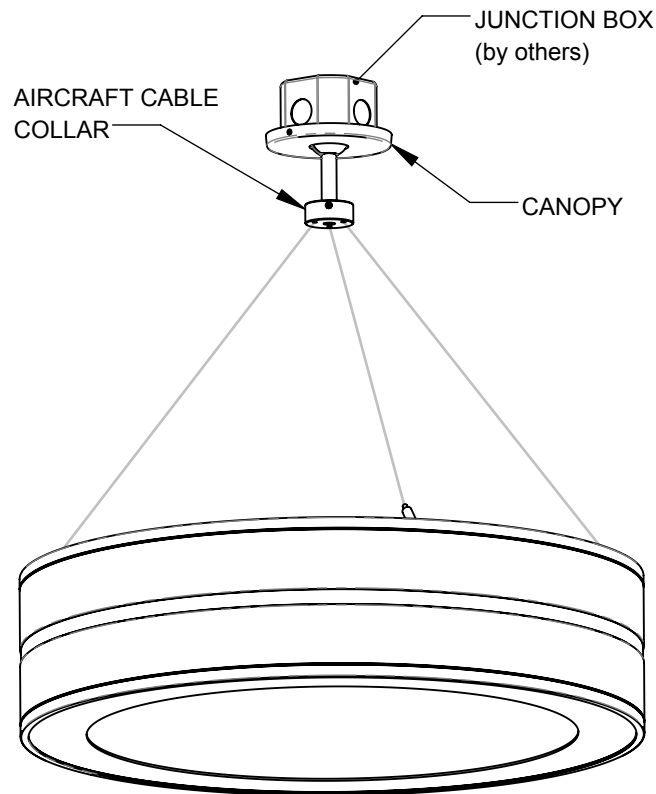
- Read all instructions carefully before installing and save for future use.
- Make sure all connections are in accordance with the National Electrical Code and local regulations.
- To avoid possible electric shock, be sure the power supply is turned off before servicing or installing the fixture.
- Service should be performed by qualified personnel.
- These instructions may not cover all details or variations. If additional information is needed, please contact Visa Lighting.

INSTALLATION INSTRUCTIONS

Model: **CP & CM FORTIMO**
Fixture Family: **OMNIENCE**
Document Description: Installation Instructions for
OMNIENCE LED Series Luminaires

VISA LIGHTING
AN OLDENBURG GROUP COMPANY
1717 West Civic Drive Milwaukee, WI 53209
414-354-6600
Design Modification Rights Reserved
© Visa Lighting

CABLE MOUNT



FIXTURE MOUNTING

1. Feed cable through top side of collar and pull through until crimp connector is flush with collar.
2. Push cable through Griplock connector until desired height is achieved.
Repeat steps 1 & 2 twice more.
3. Assemble swivel hanger and canopy per instructions on page 5.
4. Make all wire connections in accordance with all national and local codes.
5. Adjust aircraft cables at Griplock connectors as needed until luminaire is level.

! When using electrical equipment, basic safety precautions should always be followed, including the following:

- Read all instructions carefully before installing and save for future use.
- Make sure all connections are in accordance with the National Electrical Code and local regulations.
- To avoid possible electric shock, be sure the power supply is turned off before servicing or installing the fixture.
- Service should be performed by qualified personnel.
- These instructions may not cover all details or variations. If additional information is needed, please contact Visa Lighting.

Drawing: 762278XX

Rev: A

Sheet: 3 of 6

Eng: CLD

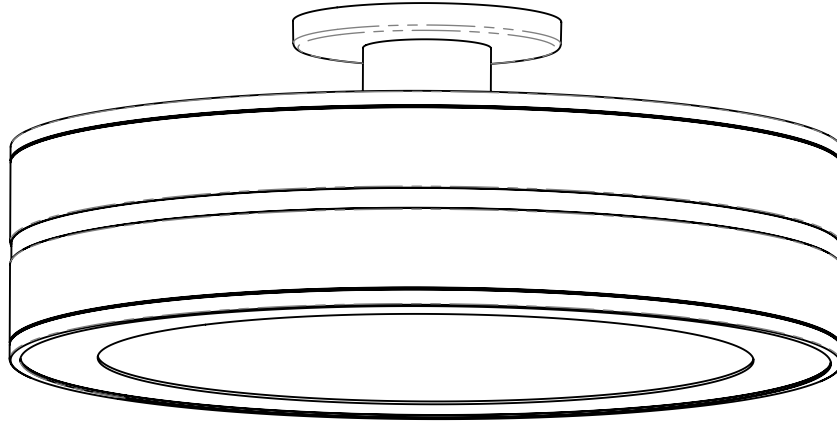
Date Drawn: 08/31/17

INSTALLATION INSTRUCTIONS

Model: **CP & CM FORTIMO**
Fixture Family: **OMNIENCE**
Document Description: Installation Instructions for
OMNIENCE LED Series Luminaires

 **VISA LIGHTING**
AN OLDENBURG GROUP COMPANY
1717 West Civic Drive Milwaukee, WI 53209
414-354-6600
Design Modification Rights Reserved
© Visa Lighting

CEILING MOUNT



FIXTURE MOUNTING

1. Separate lower housing assembly by removing the (4) machine screws on top-side of upper housing.
2. Remove lamp plate assembly by loosening (3) machine screws and disconnecting the low-voltage wires connected to both drivers.
3. Remove mounting plate assembly and attach to junction box (by others) and to structure through auxiliary mounting holes.
4. Lift upper housing assembly over mounting plate assembly and attach with nuts and lock washers provided.
5. Make all wire connections in accordance with all national and local codes.
6. Replace lamp plate assembly using the (3) screws removed in step 2.
7. Reconnect low-voltage driver wires.
8. Raise frame assembly and align bracket nuts in lower housing with slots in upper housing and tighten.

 When using electrical equipment, basic safety precautions should always be followed, including the following:

- Read all instructions carefully before installing and save for future use.
- Make sure all connections are in accordance with the National Electrical Code and local regulations.
- To avoid possible electric shock, be sure the power supply is turned off before servicing or installing the fixture.
- Service should be performed by qualified personnel.
- These instructions may not cover all details or variations. If additional information is needed, please contact Visa Lighting.

Drawing: 762278XX

Rev: A

Sheet: 4 of 6

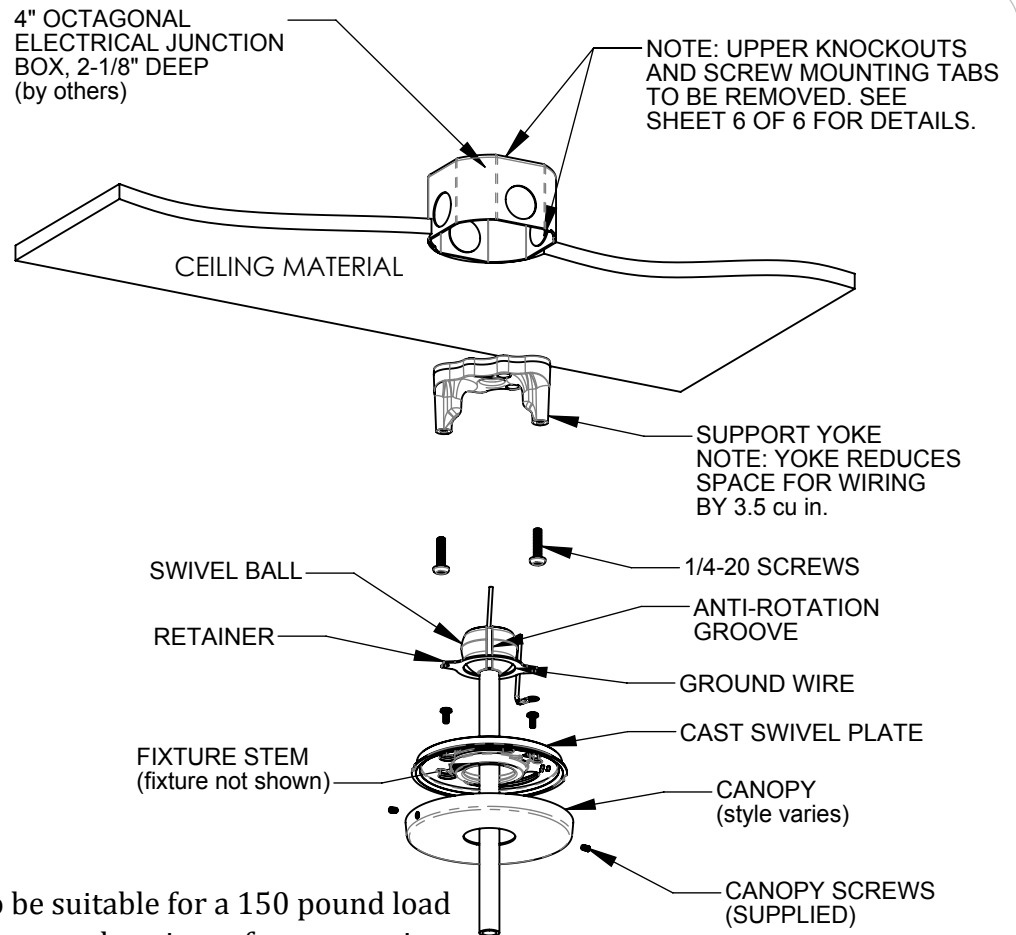
Eng: CLD

Date Drawn: 08/31/17

INSTALLATION INSTRUCTIONS

Model: **CP & CM FORTIMO**
Fixture Family: **OMNIENCE**
Document Description: Installation Instructions for
OMNIENCE LED Series Luminaires

VISA LIGHTING
AN OLDENBURG GROUP COMPANY
1717 West Civic Drive Milwaukee, WI 53209
414-354-6600
Design Modification Rights Reserved
© Visa Lighting



Drawing: 762278XX

Rev: A

Sheet: 5 of 6

Eng: CLD

Date Drawn: 08/31/17

Preparation

****The structural support is to be suitable for a 150 pound load minimum. Please consult a structural engineer for appropriate safety factors per local and national codes. Refer to sheet 6 of 6 for more details on support options. Support Yoke is designed to fit inside of a 4" octagonal junction box, 2-1/8" deep.**

INSTRUCTIONS

1. Remove necessary knock-outs and junction box screw mounting tabs as necessary (refer to sheet 6 of 6 for further details) and securely install support yoke to building structure.
2. Insert swivel ball/stem assembly through cast swivel plate and fasten swivel ball retainer and ground wire with screws provided.
3. Insert stem through canopy, pull fixture wires through stem and securely fasten stem to the fixture.
4. Fasten cast swivel plate to support yoke with 1/4-20 screws provided.
5. Make all wire connections per local and national codes.
6. Lift canopy in place and secure with screws provided.

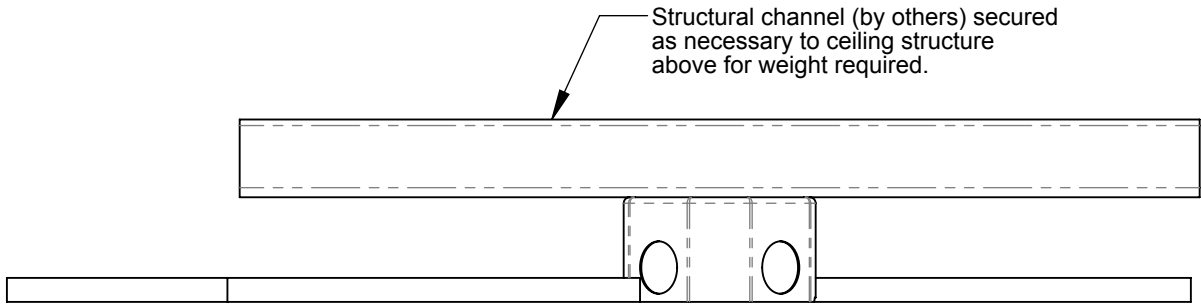
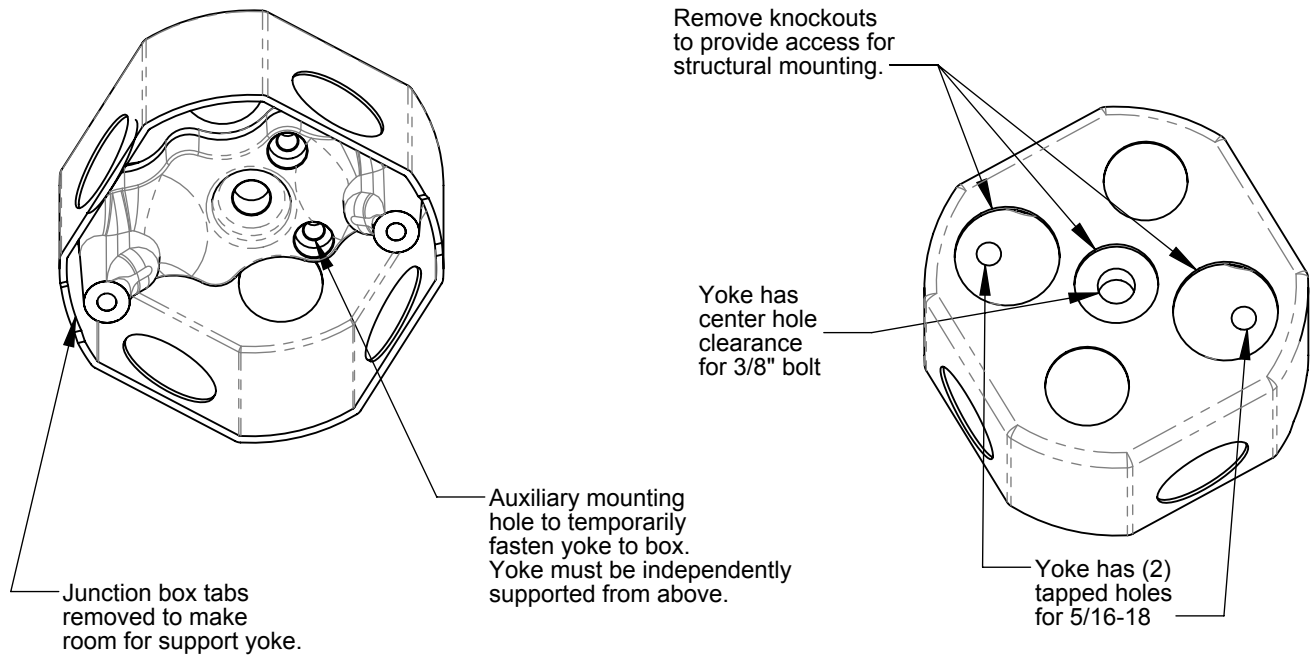
When using electrical equipment, basic safety precautions should always be followed, including the following:

- Read all instructions carefully before installing and save for future use.
- Make sure all connections are in accordance with the National Electrical Code and local regulations.
- To avoid possible electric shock, be sure the power supply is turned off before servicing or installing the fixture.
- Service should be performed by qualified personnel.
- These instructions may not cover all details or variations. If additional information is needed, please contact Visa Lighting.

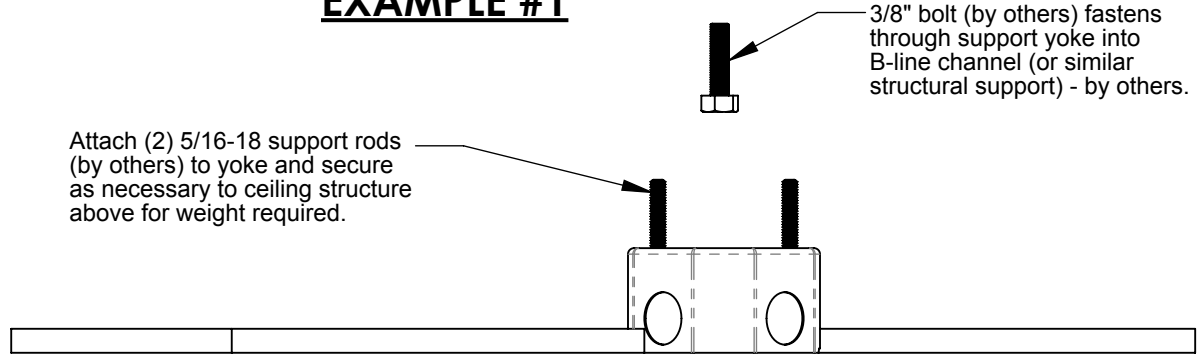
INSTALLATION INSTRUCTIONS

Model: **CP & CM FORTIMO**
 Fixture Family: **OMNIENCE**
 Document Description: Installation Instructions for
 OMNIENCE LED Series Luminaires

VISA LIGHTING
 AN OLDENBURG GROUP COMPANY
 1717 West Civic Drive Milwaukee, WI 53209
 414-354-6600
 Design Modification Rights Reserved
 © Visa Lighting



EXAMPLE #1



EXAMPLE #2

- !** When using electrical equipment, basic safety precautions should always be followed, including the following:
- Read all instructions carefully before installing and save for future use.
 - Make sure all connections are in accordance with the National Electrical Code and local regulations.
 - To avoid possible electric shock, be sure the power supply is turned off before servicing or installing the fixture.
 - Service should be performed by qualified personnel.
 - These instructions may not cover all details or variations. If additional information is needed, please contact Visa Lighting.

Drawing: 762278XX
 Rev: A
 Sheet: 6 of 6
 Eng: CLD
 Date Drawn: 08/31/17