

INSTALLATION INSTRUCTIONS

Model: **OP2122, 2132, 2142, 2232, 2233, 2234, 2262, 2263, 2264, 3632**
Fixture Family: **OP SEQUENCE, LATERNA & ZUME**
Document Description: Installation Instructions for
LED Series Luminaires

 **VISA LIGHTING**
AN OLDENBURG GROUP COMPANY
1717 West Civic Drive Milwaukee, WI 53209
414-354-6600
Design Modification Rights Reserved
© Visa Lighting

Table of Contents

- Sheet 2: Fixture mounting instructions**
- Sheet 3: Wiring diagrams, max amps**
- Sheet 4: Quick Connect RMB**
- Sheet 5: DMX-CONTROL INSTRUCTIONS (RGB LEDS ONLY)**

ADDITIONAL DETAILS:

See 'Catenary Accessory Instructions' 762284XX

See fixture specification sheets for dimensions, weight and effective projected areas

Allowable main cable diameters

(Stainless steel grade per structural engineer specification)

Mounting hardware is provided to attach cable(s) to the luminaire, below are the diameters that will fit with the standard hardware:

Direct to main cable (top and bottom): **3/32" - 1/4"**

Optional secondary cross cable: **1/16" - 3/16"** (max of 1/8" if main cable is 1/4")

The fixture must be suspended if the main catenary cable is larger than 1/4" DIA.

WARNING

Catenary cables, cable ends, structural masts and fittings for attachment to the building are provided by others. A qualified structural engineer should be consulted to ensure the integrity of the specific application.

Different catenary hardware may be required depending on the application. The structural engineer should be provided with information about the luminaire: dimensions, weight, effective projected area, allowable cable diameters (see specification sheet) and a description of how the cables will be mounted (see sheet 2). The structural engineer should also be provided details of the application such as: the quantity, locations, limiting sag, structural mounting points and environmental condition such as ice, wind and corrosion effects.

Drawing: 762280XX

Rev: C

Sheet: 1 of 5

Eng: AJM

Date Drawn: 10/2/17



When using electrical equipment, basic safety precautions should always be followed, including the following:

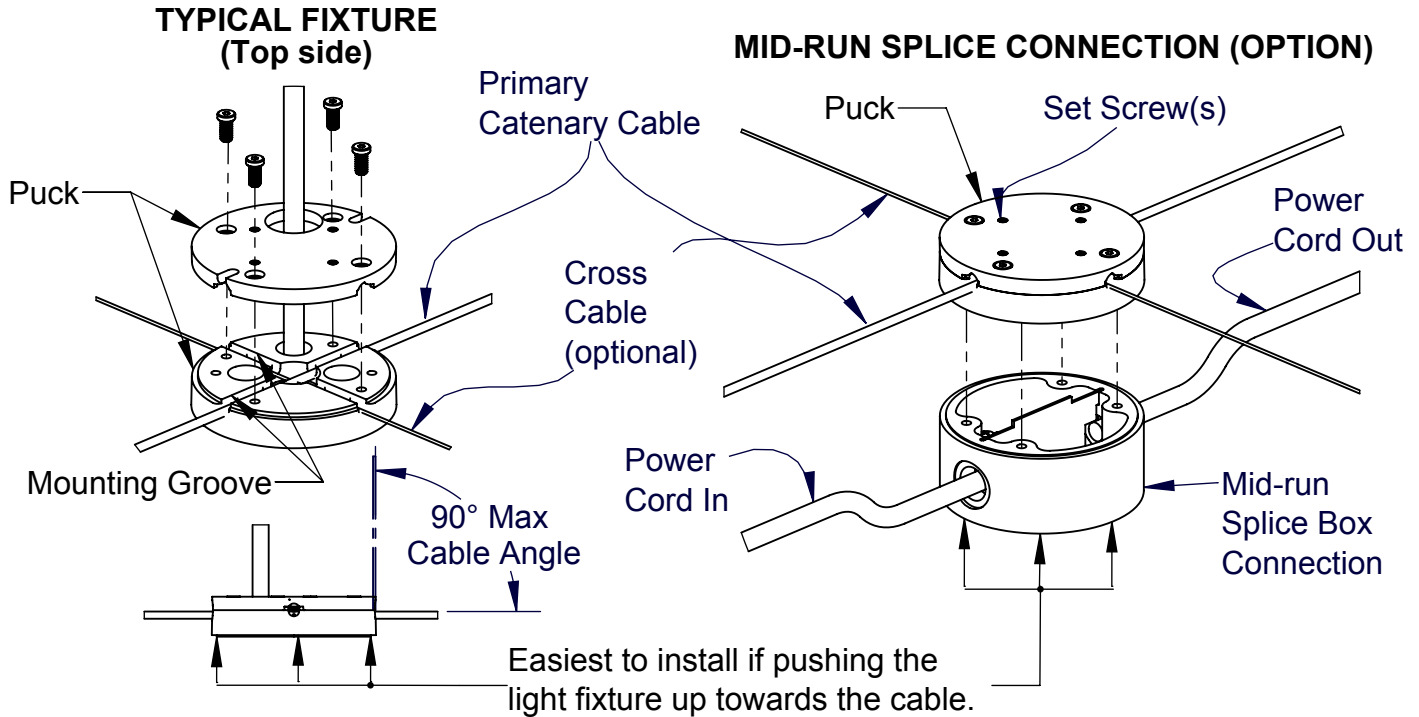
- Read all instructions carefully before installing and save for future use.
- Make sure all connections are in accordance with the National Electrical Code and local regulations.
- To avoid possible electric shock, be sure the power supply is turned off before servicing or installing the fixture.
- Service should be performed by qualified personnel.
- These instructions may not cover all details or variations. If additional information is needed, please contact Visa Lighting.

INSTALLATION INSTRUCTIONS

Model: **OP2122, 2132, 2142, 2232, 2233, 2234, 2262, 2263, 2264, 3632**
 Fixture Family: **OP SEQUENCE, LATERNA & ZUME**
 Document Description: Installation Instructions for
 LED Series Luminaires

VISA LIGHTING
 AN OLDENBURG GROUP COMPANY
 1717 West Civic Drive Milwaukee, WI 53209
 414-354-6600
 Design Modification Rights Reserved
 © Visa Lighting 2016

TOOLS REQUIRED: 1/8" Allen wrench (mounting screws/set screws)



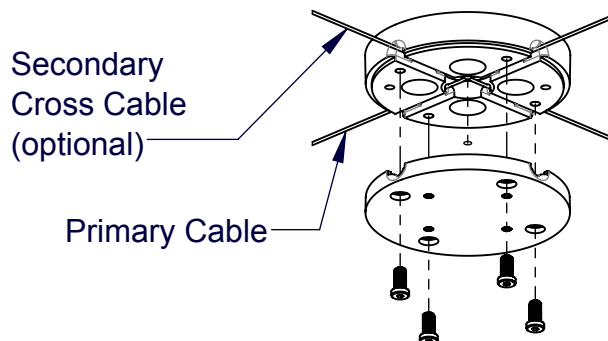
Typical fixture install

1. Remove (4) screws from the top of the mounting puck.
2. Install properly sized cables (by others) into the mounting groove.
3. Reinstall the (4) screws.
4. Tighten the (4) set screws until the catenary cable is properly secured.

Mid-run splice connection install (option)

1. See typical fixture install instructions.
2. Remove (4) screws to gain access to mid-run splice box compartment.
3. Install the power cords and make all connections in accordance with local codes.
4. Reinstall screws taking care to not pinch any wires.

BOTTOM SIDE TETHER (OPTION)



Bottom tether option
 not available with all
 models.

When using electrical equipment, basic safety precautions should always be followed, including the following:

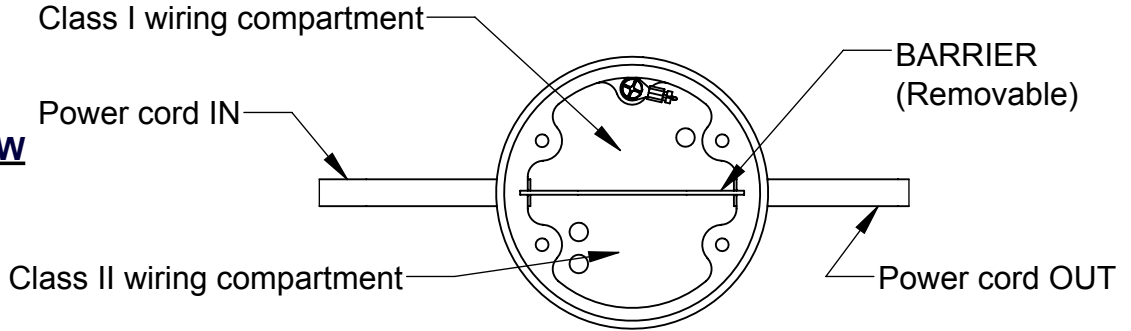
- Read all instructions carefully before installing and save for future use.
- Make sure all connections are in accordance with the National Electrical Code and local regulations.
- To avoid possible electric shock, be sure the power supply is turned off before servicing or installing the fixture.
- Service should be performed by qualified personnel.
- These instructions may not cover all details or variations. If additional information is needed, please contact Visa Lighting.

INSTALLATION INSTRUCTIONS

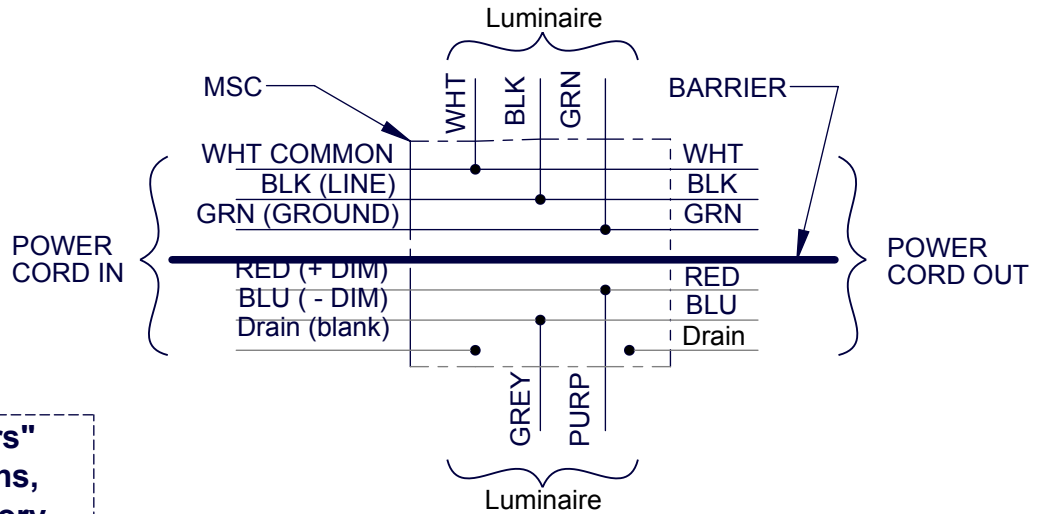
Model: **OP2122, 2132, 2142, 2232, 2233, 2234, 2262, 2263, 2264, 3632**
 Fixture Family: **OP SEQUENCE, LATERNA & ZUME**
 Document Description: Installation Instructions for
 LED Series Luminaires

MAX AMPS: 10 Amps if using the in-line quick connection option, otherwise 15 Amps.

MSC TOP VIEW

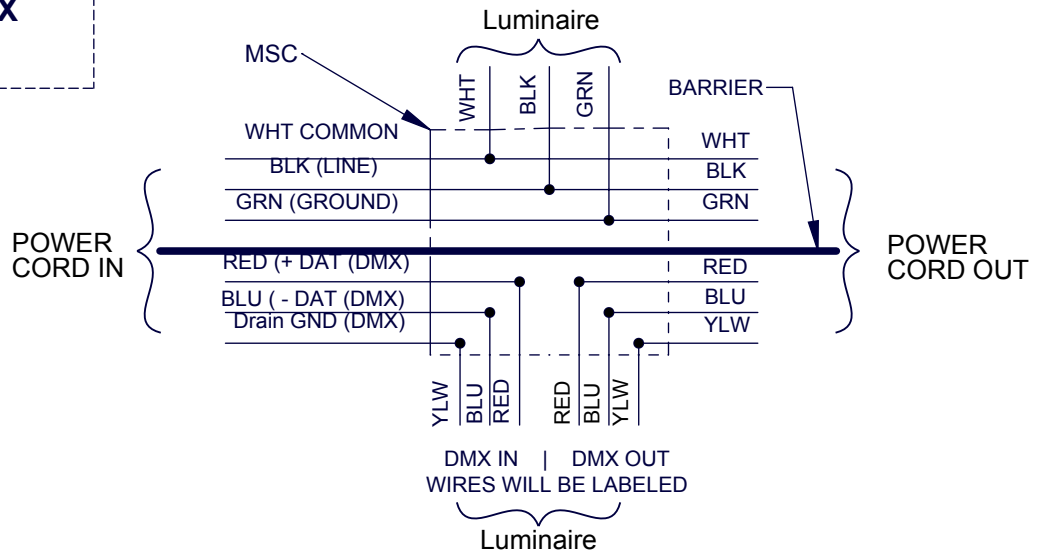


MSC WIRING DIAGRAM (White)



For "Quick Connectors" field wiring instructions, see 'Catenary Accessory Instructions' 762284XX

MSC WIRING DIAGRAM (RGB)



Drawing: 762280XX

Rev: C

Sheet: 3 of 5

Eng: AJM

Date Drawn: 10/2/17



When using electrical equipment, basic safety precautions should always be followed, including the following:

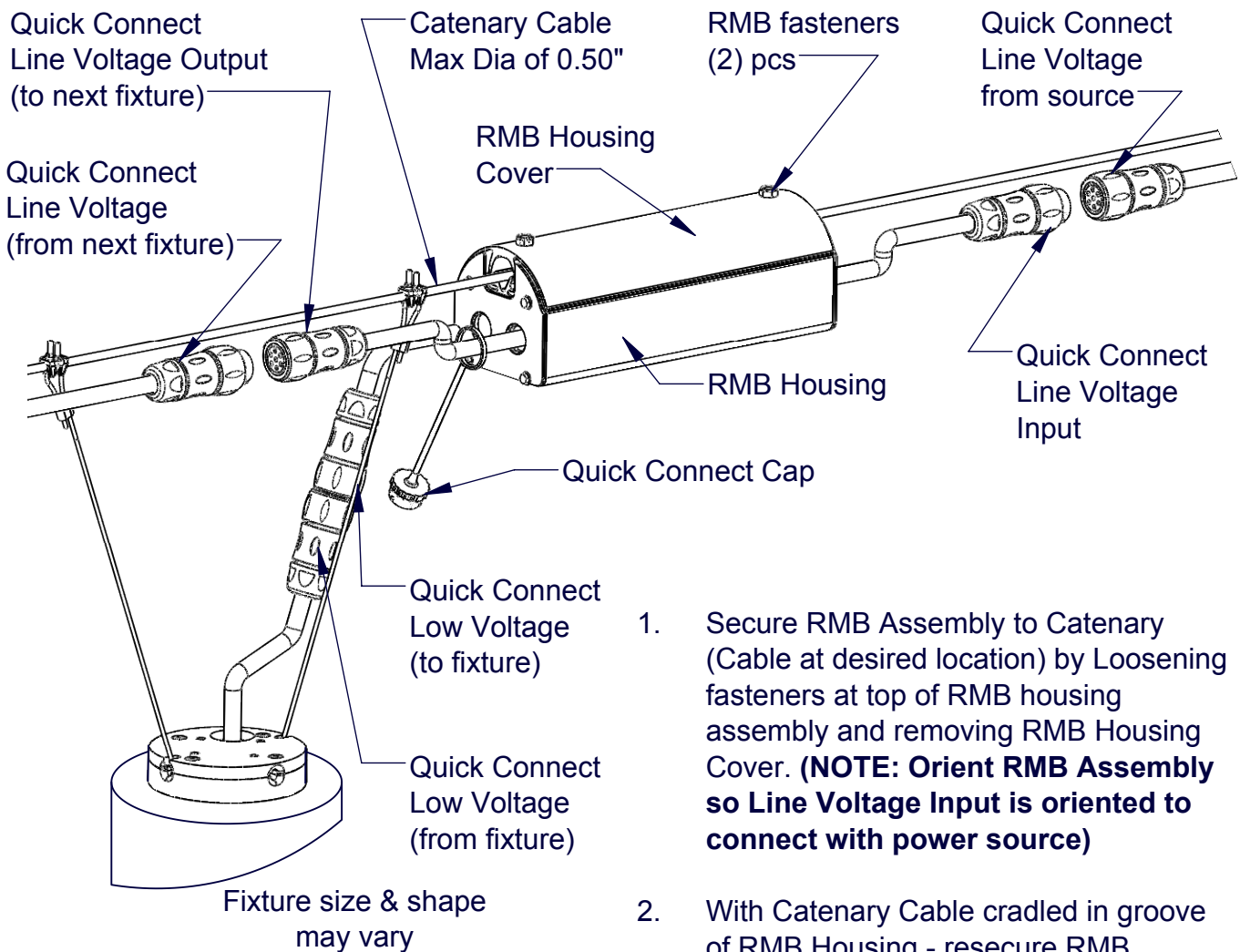
- Read all instructions carefully before installing and save for future use.
- Make sure all connections are in accordance with the National Electrical Code and local regulations.
- To avoid possible electric shock, be sure the power supply is turned off before servicing or installing the fixture.
- Service should be performed by qualified personnel.
- These instructions may not cover all details or variations. If additional information is needed, please contact Visa Lighting.

INSTALLATION INSTRUCTIONS

Model: **OP2122, 2132, 2142, 2232, 2233, 2234, 2262, 2263, 2264, 3632**
Fixture Family: **OP SEQUENCE, LATERNA & ZUME**
Document Description: Installation Instructions for
LED Series Luminaires

VISA LIGHTING
AN OLDENBURG GROUP COMPANY
1717 West Civic Drive Milwaukee, WI 53209
414-354-6600
Design Modification Rights Reserved
© Visa Lighting

Quick Connect RMB



1. Secure RMB Assembly to Catenary (Cable at desired location) by Loosening fasteners at top of RMB housing assembly and removing RMB Housing Cover. **(NOTE: Orient RMB Assembly so Line Voltage Input is oriented to connect with power source)**
2. With Catenary Cable cradled in groove of RMB Housing - resecure RMB Housing Cover.

3. Connect line voltage quick connect input of RMB to line voltage quick connect from power source. Connect the low voltage quick connect (from fixture) to low voltage quick connect (to fixture). If there is a continuing fixture, connect the line voltage input of the next RMB to the line voltage output of the RMB. If there is not a continuing fixture, plug the quick connect line voltage output with the Quick Connect Cap.

When using electrical equipment, basic safety precautions should always be followed, including the following:

- Read all instructions carefully before installing and save for future use.
- Make sure all connections are in accordance with the National Electrical Code and local regulations.
- To avoid possible electric shock, be sure the power supply is turned off before servicing or installing the fixture.
- Service should be performed by qualified personnel.
- These instructions may not cover all details or variations. If additional information is needed, please contact Visa Lighting.

Drawing: 762280XX

Rev: C

Sheet: 4 of 5

Eng: AJM

Date Drawn: 10/2/17

INSTALLATION INSTRUCTIONS

Model: **OP2122, 2132, 2142, 2232, 2233, 2234, 2262, 2263, 2264, 3632**
Fixture Family: **OP SEQUENCE, LATERNA & ZUME**
Document Description: Installation Instructions for
LED Series Luminaires

 **VISA LIGHTING**
AN OLDENBURG GROUP COMPANY
1717 West Civic Drive Milwaukee, WI 53209
414-354-6600
Design Modification Rights Reserved
© Visa Lighting

DMX-CONTROL INSTRUCTIONS (RGB LEDS ONLY)

1. See VisaLighting.com/DMXguide for further details on installing a DMX system.
2. To RDM address turn switch 11 ON and switch 10 OFF (Default).
3. To manually address with the DIP switches turn switch 10 and 11 OFF and use 'Chart B-Euro DMX 512' to address. Available at VisaLighting.com/DMXchartB. Example: (Ch# =Dip Switch ON) (1= 0) (4= 1, 2) (7= 2, 3) (512= 1, 2, 3, 4, 5, 6, 7, 8, 9).
4. While this controller will take a set of 4 DMX addresses – only 3 DMX addresses are being used so the fixtures can be addressed in groups of 3.

Drawing: 762280XX

Rev: C

Sheet: 5 of 5

Eng: AJM

Date Drawn: 10/2/17

 When using electrical equipment, basic safety precautions should always be followed, including the following:

- Read all instructions carefully before installing and save for future use.
- Make sure all connections are in accordance with the National Electrical Code and local regulations.
- To avoid possible electric shock, be sure the power supply is turned off before servicing or installing the fixture.
- Service should be performed by qualified personnel.
- These instructions may not cover all details or variations. If additional information is needed, please contact Visa Lighting.