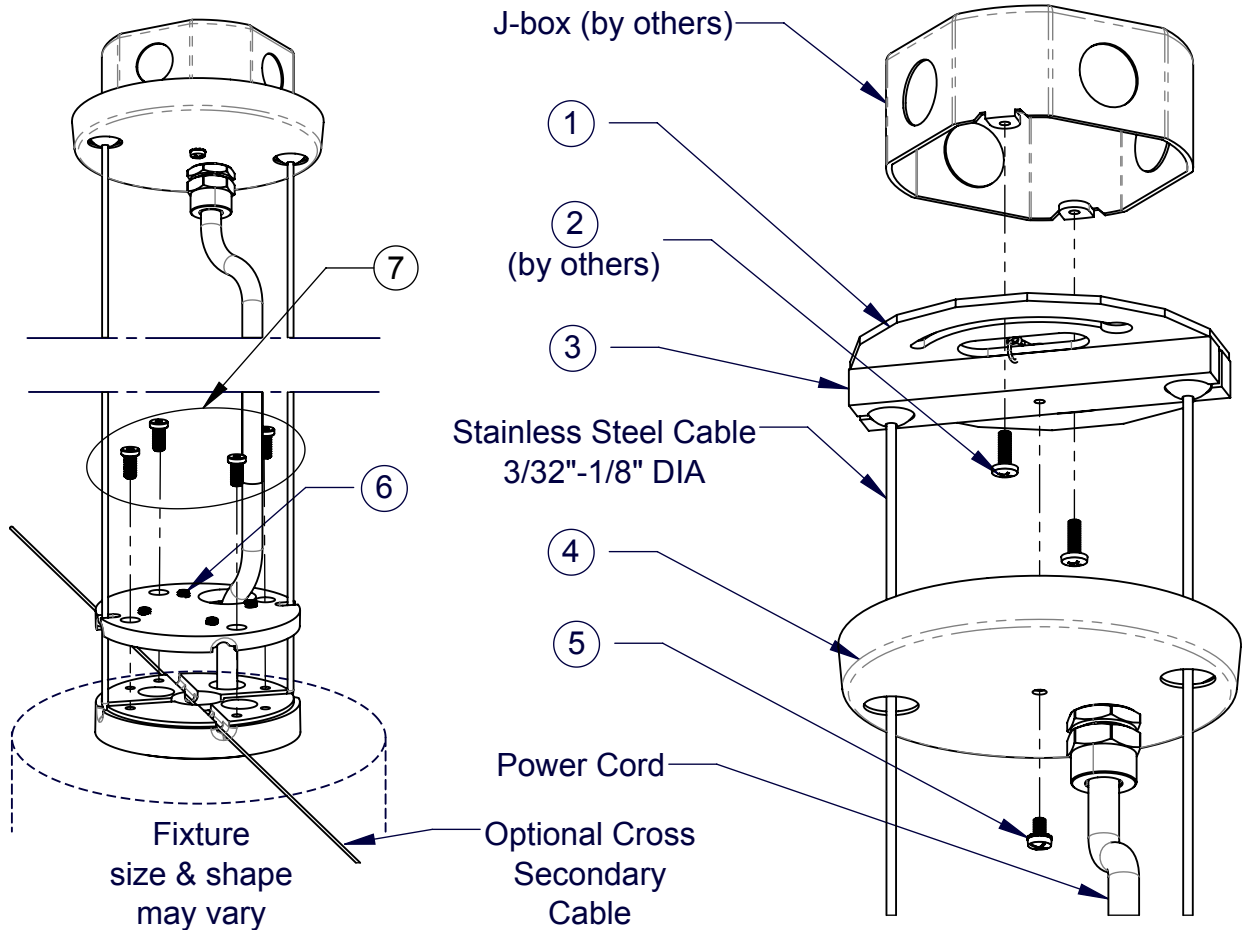


INSTALLATION INSTRUCTIONS

Model: **OP2120, 2130, 2140, 2222, 2223, 2224, 2252, 2253, 2254, 3630**
Fixture Family: **OP SEQUENCE, ZUME & LATER**
Document Description: Installation Instructions for
LED Series Luminaires

VISA LIGHTING
AN OLDENBURG GROUP COMPANY
1717 West Civic Drive Milwaukee, WI 53209
414-354-6600
Design Modification Rights Reserved
© Visa Lighting

OUTDOOR PENDANT - CANOPY MOUNT



Mounting instructions:

Luminaire will arrive fully assembled at the specified height.

Remove canopy screw (5) before beginning.

Install mounting plate (1) to the J-box with J-box screws (2).

Connect canopy cover (4) to cross bar (3) with canopy screw (5).

Provide caulk between canopy cover (4) and the ceiling to provide a seal.

Use 1/8 Hex drive to tighten set screws (6) on the top of the light fixture to secure cable in place.

Optional Cross Secondary Cable can be installed by removing and re-installing cap screws (7).

See fixture specification sheets for dimensions, weight and effective projected areas

When using electrical equipment, basic safety precautions should always be followed, including the following:

- Read all instructions carefully before installing and save for future use.
- Make sure all connections are in accordance with the National Electrical Code and local regulations.
- To avoid possible electric shock, be sure the power supply is turned off before servicing or installing the fixture.
- Service should be performed by qualified personnel.
- These instructions may not cover all details or variations. If additional information is needed, please contact Visa Lighting.

INSTALLATION INSTRUCTIONS

Model: **OP2120, 2130, 2140, 2222, 2223, 2224, 2252, 2253, 2254, 3630**
Fixture Family: **OP SEQUENCE, ZUME & LATER**
Document Description: Installation Instructions for
LED Series Luminaires

 **VISA LIGHTING**
AN OLDENBURG GROUP COMPANY
1717 West Civic Drive Milwaukee, WI 53209
414-354-6600
Design Modification Rights Reserved
© Visa Lighting

DMX-CONTROL INSTRUCTIONS (RGB LEDS ONLY)

1. See VisaLighting.com/DMXguide for further details on installing a DMX system.
2. To RDM address turn switch 11 ON and switch 10 OFF (Default).
3. To manually address with the DIP switches turn switch 10 and 11 OFF and use 'Chart B-Euro DMX 512' to address. Available at VisaLighting.com/DMXchartB. Example: (Ch# =Dip Switch ON) (1= 0) (4= 1, 2) (7= 2, 3) (512= 1, 2, 3, 4, 5, 6, 7, 8, 9).
4. While this controller will take a set of 4 DMX addresses – only 3 DMX addresses are being used so the fixtures can be addressed in groups of 3.

Drawing: 762281XX

Rev: C

Sheet: 2 of 2

Eng: AJM

Date Drawn: 7/24/20

 When using electrical equipment, basic safety precautions should always be followed, including the following:

- Read all instructions carefully before installing and save for future use.
- Make sure all connections are in accordance with the National Electrical Code and local regulations.
- To avoid possible electric shock, be sure the power supply is turned off before servicing or installing the fixture.
- Service should be performed by qualified personnel.
- These instructions may not cover all details or variations. If additional information is needed, please contact Visa Lighting.