

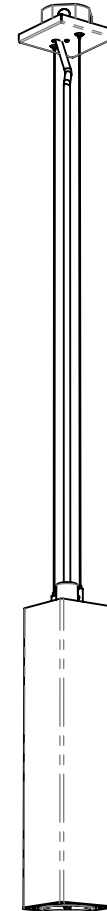
# INSTALLATION INSTRUCTIONS

Model: **CP5820, CP5822, CP5824, CP5826, CP5828, CP5830**  
Fixture Family: **SEQUENCE SQUARE 4"**  
Document Description: Installation Instructions for  
SEQUENCE LED Series Luminaires

**VISA LIGHTING**  
AN OLDENBURG GROUP COMPANY  
1717 West Civic Drive Milwaukee, WI 53209  
414-354-6600  
Design Modification Rights Reserved  
© Visa Lighting 2016

## SEQUENCE SQUARE 4"

**CP5820, CP5822, CP5824**  
**CP5826, CP5828, CP5830**



\*STYLE AND SIZE MAY VARY

Drawing: 762293XX

Rev: B

Sheet: 1 of 4

Eng: CLD

Date Drawn: 02/14/18

**!** When using electrical equipment, basic safety precautions should always be followed, including the following:

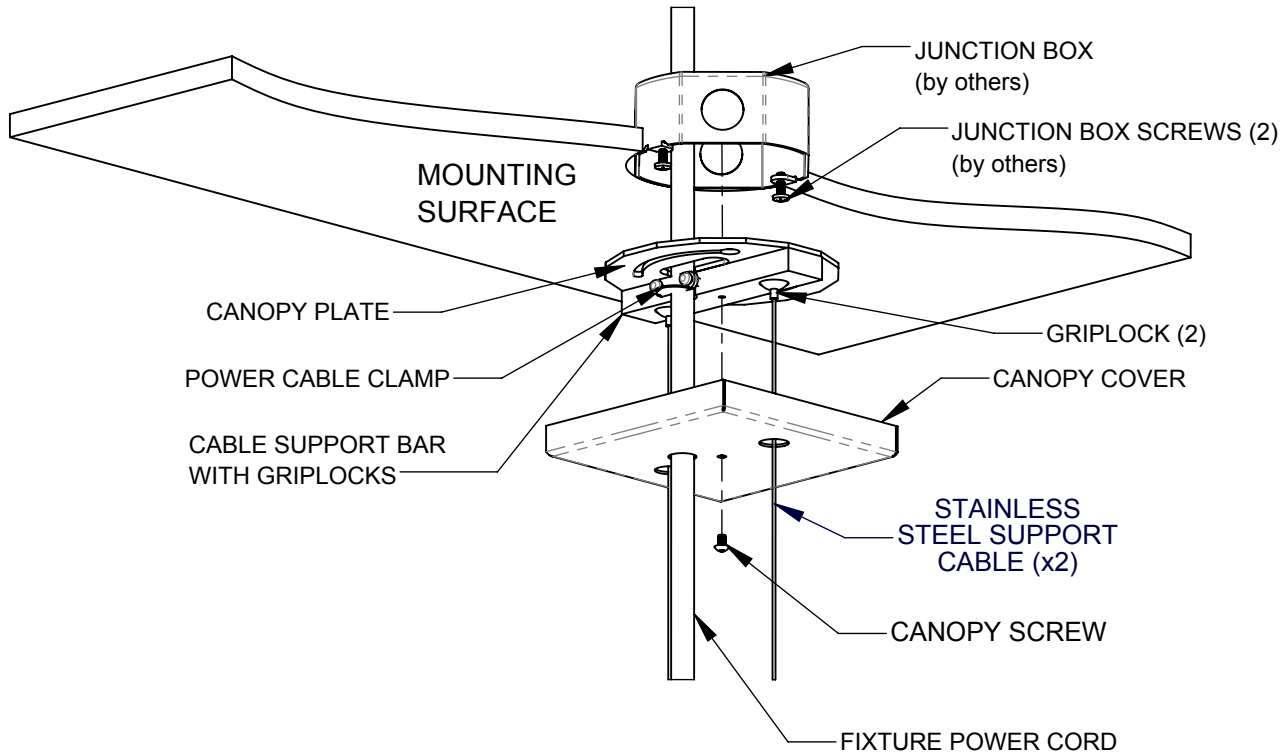
- Read all instructions carefully before installing and save for future use.
- Make sure all connections are in accordance with the National Electrical Code and local regulations.
- To avoid possible electric shock, be sure the power supply is turned off before servicing or installing the fixture.
- Service should be performed by qualified personnel.
- These instructions may not cover all details or variations. If additional information is needed, please contact Visa Lighting.

# INSTALLATION INSTRUCTIONS

Model: CP5820, CP5822, CP5824, CP5826, CP5828, CP5830  
Fixture Family: SEQUENCE SQUARE 4"  
Document Description: Installation Instructions for SEQUENCE LED Series Luminaires

**VISA LIGHTING**  
AN OLDENBURG GROUP COMPANY  
1717 West Civic Drive Milwaukee, WI 53209  
414-354-6600  
Design Modification Rights Reserved  
© Visa Lighting

## Installation Instructions with cord attached to fixture



### Instructions -

1. INSTALL THE JUNCTION BOX SCREWS HALFWAY INTO THE JUNCTION BOX (by others).
2. INSTALL THE (2) STEEL SUPPORT CABLES AND THE POWER CABLE THROUGH THE LOCATIONS SHOWN IN THE CANOPY COVER.
3. SLIDE THE POWER CABLE THROUGH THE POWER CABLE CLAMP AND TIGHTEN. MAKE SURE THERE IS ROUGHLY 1" OF THE POWER CORD ABOVE THE POWER CABLE CLAMP GOING INTO THE JUNCTION BOX.
4. MAKE ALL WIRE CONNECTIONS IN ACCORDANCE TO LOCAL AND NATIONAL CODES.
5. INSERT THE STEEL CABLES INTO THE GRIPLOCKS, MAKING SURE THE CABLES HAVE EVEN TENSION ON THEM. FAILURE TO DO SO WILL CAUSE THE WEIGHT OF THE FIXTURE TO BE UNEVEN AND CAN CAUSE THE CABLES TO FAIL.
6. INSTALL THE CANOPY PLATE BY INSERTING THE HEAD OF THE JUNCTION BOX SCREWS THROUGH THE LARGER OPENING ON THE CANOPY PLATE FOR BOTH SCREWS. ROTATE THE PLATE SO THE HEADS OF THE SCREWS ARE SUPPORTING THE PLATE. TIGHTEN JUNCTION BOX SCREWS. DO NOT ALLOW THE FIXTURE TO HANG UNTIL THE JUNCTION BOX SCREWS ARE COMPLETELY SECURED!
7. SLIDE THE CANOPY COVER UP TO THE MOUNTING SURFACE AND TIGHTEN WITH THE CANOPY SCREW.

When using electrical equipment, basic safety precautions should always be followed, including the following:

- Read all instructions carefully before installing and save for future use.
- Make sure all connections are in accordance with the National Electrical Code and local regulations.
- To avoid possible electric shock, be sure the power supply is turned off before servicing or installing the fixture.
- Service should be performed by qualified personnel.
- These instructions may not cover all details or variations. If additional information is needed, please contact Visa Lighting.

# INSTALLATION INSTRUCTIONS

Model: CP5820, CP5822, CP5824, CP5826, CP5828, CP5830  
Fixture Family: SEQUENCE SQUARE 4"  
Document Description: Installation Instructions for SEQUENCE LED Series Luminaires

**VISA LIGHTING**  
AN OLDENBURG GROUP COMPANY  
1717 West Civic Drive Milwaukee, WI 53209  
414-354-6600  
Design Modification Rights Reserved  
© Visa Lighting

## If mounting hardware is shipped ahead for installation before fixture arrives

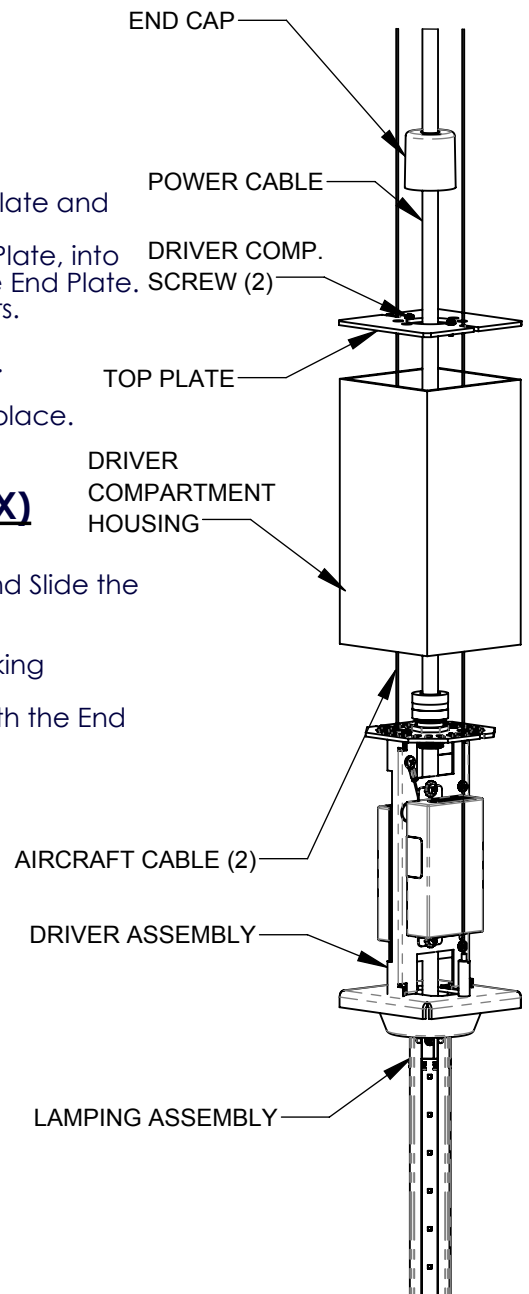
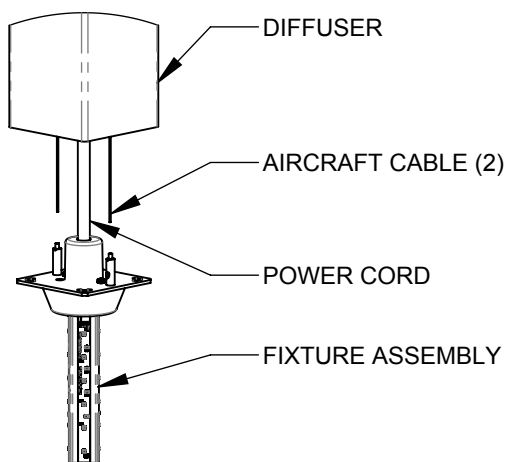
Preparation: The Stainless Steel Cables will be inserted into the Cable Grippers at the top of the fixture body. Determine the height of the fixture by holding it alongside the Stainless Steel Cables. Stainless Steel Cable may be inserted into cable gripper up to 6", trim excess if needed. Trimmed end must not have stray strands. Tin the cut end.

### STANDARD FIXTURE WITH INTEGRAL DRIVER(S)

1. Remove the Driver Compartment Screws and slide the Top Plate and Driver Compartment up.
2. Guide the Stainless Steel Cables through the slots in the Top Plate, into the Driver Compartment Housing and through the slots in the End Plate. Finally poke the Stainless Steel Cables into the Cable Grippers.
3. Slide the Power Cord through the Cord Grip.
4. Leaving enough Cord for Splices, trim Power Cord if needed.
5. Strip Power Cord and make appropriate splice connections.
6. Secure Driver Compartment Housing and Top Plate back in place.

### FIXTURE WITH -RMB OPTION (REMOTE POWER BOX)

1. Remove the End Plate Screws and End Plate Assembly.
2. Poke the Stainless Steel Cables into the Endplate Assembly and Slide the Power Cord through the End Cap and into the Cord Grip.
3. Leaving enough Cord for splices, trim Power Cord if needed.
4. Strip Power Cord and then support the Fixture Body while making appropriate splice connections.
5. Secure the End Plate Assembly back onto the Fixture Body with the End Plate Screws.



Drawing: 762293XX

Rev: B

Sheet: 3 of 4

Eng: CLD

Date Drawn: 02/14/18

When using electrical equipment, basic safety precautions should always be followed, including the following:

- Read all instructions carefully before installing and save for future use.
- Make sure all connections are in accordance with the National Electrical Code and local regulations.
- To avoid possible electric shock, be sure the power supply is turned off before servicing or installing the fixture.
- Service should be performed by qualified personnel.
- These instructions may not cover all details or variations. If additional information is needed, please contact Visa Lighting.

# INSTALLATION INSTRUCTIONS

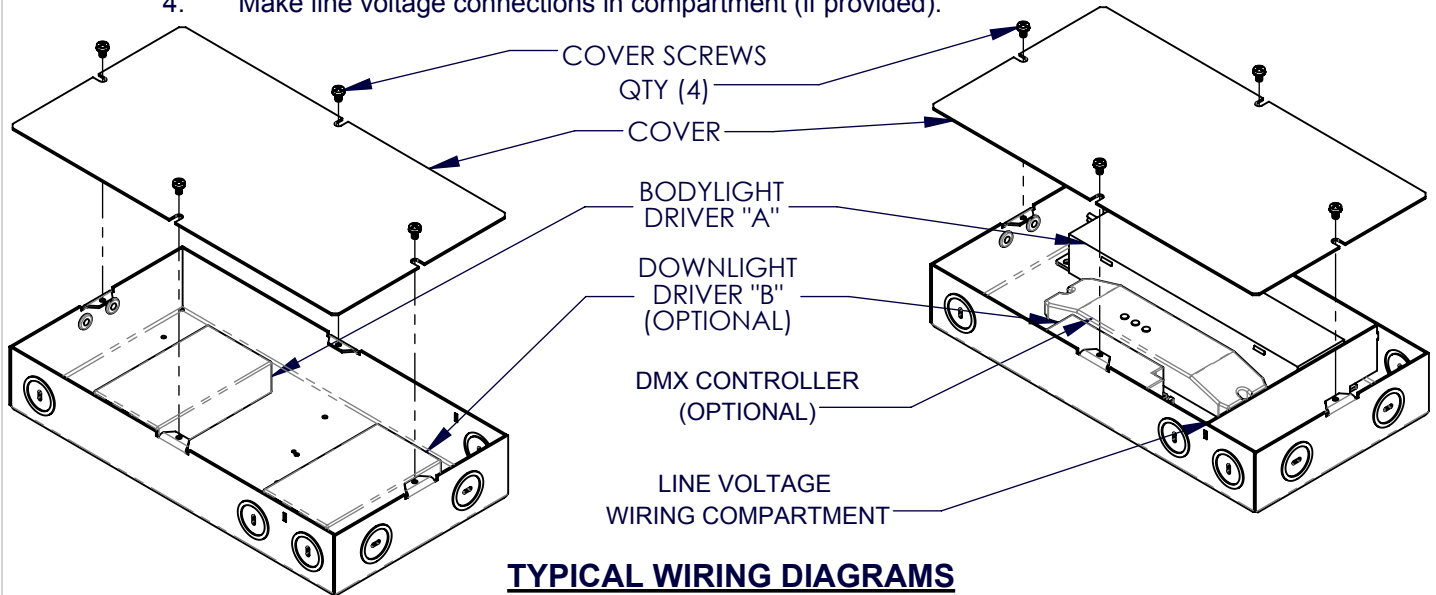
Model: **CP5820, CP5822, CP5824, CP5826, CP5828, CP5830**  
 Fixture Family: **SEQUENCE SQUARE 4"**  
 Document Description: Installation Instructions for  
 SEQUENCE LED Series Luminaires

## RMB Option, Remote Power Supply Box

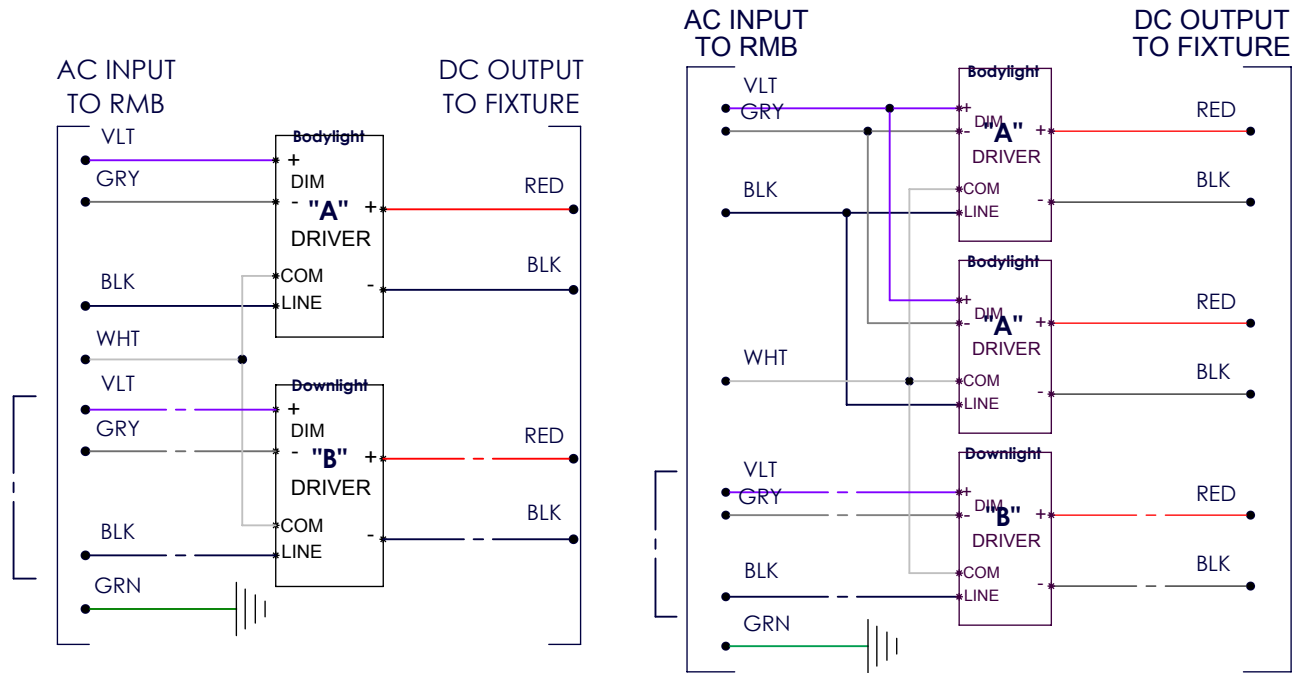
### INSTRUCTIONS

Note: Components may vary depending on options ordered.

1. Remove Cover by removing the (4) Cover Screws.
2. Mount Remote Box in an accessible area per local and national codes, use fasteners appropriate for the mounting surface (not included).
3. Make class II output connections.
4. Make line voltage connections in compartment (if provided).



### TYPICAL WIRING DIAGRAMS



Downlight wiring (optional)  
 See wiring labels for details.

**NOTE: DO NOT MIX DC OUTPUTS.**

THE "+" AND "-" LEADS MUST CONNECT TO THE SAME CIRCUIT. MATCH WIRE LABELS FROM FIXTURE.

Drawing: 762293XX

Rev: B

Sheet: 4 of 4

Eng: CLD

Date Drawn: 02/14/18



When using electrical equipment, basic safety precautions should always be followed, including the following:

- Read all instructions carefully before installing and save for future use.
- Make sure all connections are in accordance with the National Electrical Code and local regulations.
- To avoid possible electric shock, be sure the power supply is turned off before servicing or installing the fixture.
- Service should be performed by qualified personnel.
- These instructions may not cover all details or variations. If additional information is needed, please contact Visa Lighting.