

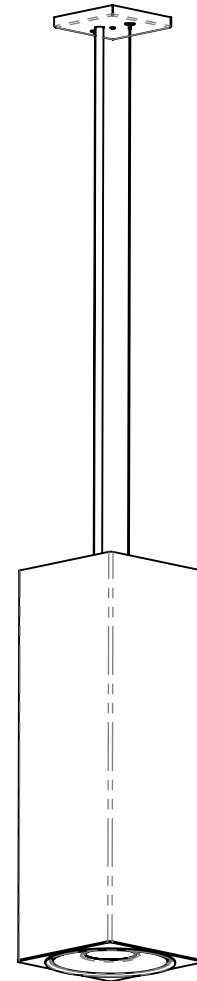
INSTALLATION INSTRUCTIONS

Model: **CP5836, 38, 40, 42, 44, 46**
Fixture Family: **SEQUENCE SQUARE**
Document Description: Installation Instructions for
SEQUENCE 8IN Series Luminaires

VISA LIGHTING
AN OLDENBURG GROUP COMPANY
1717 West Civic Drive Milwaukee, WI 53209
414-354-6600
Design Modification Rights Reserved
© Visa Lighting 2016

SEQUENCE SQUARE 8"

CP5836	CP5838
CP5840	CP5842
CP5844	CP5846



*STYLE AND SIZE MAY VARY

Drawing: 762294XX

Rev: C

Sheet: 1 of 4

Eng: CLD

Date Drawn: 03/05/18

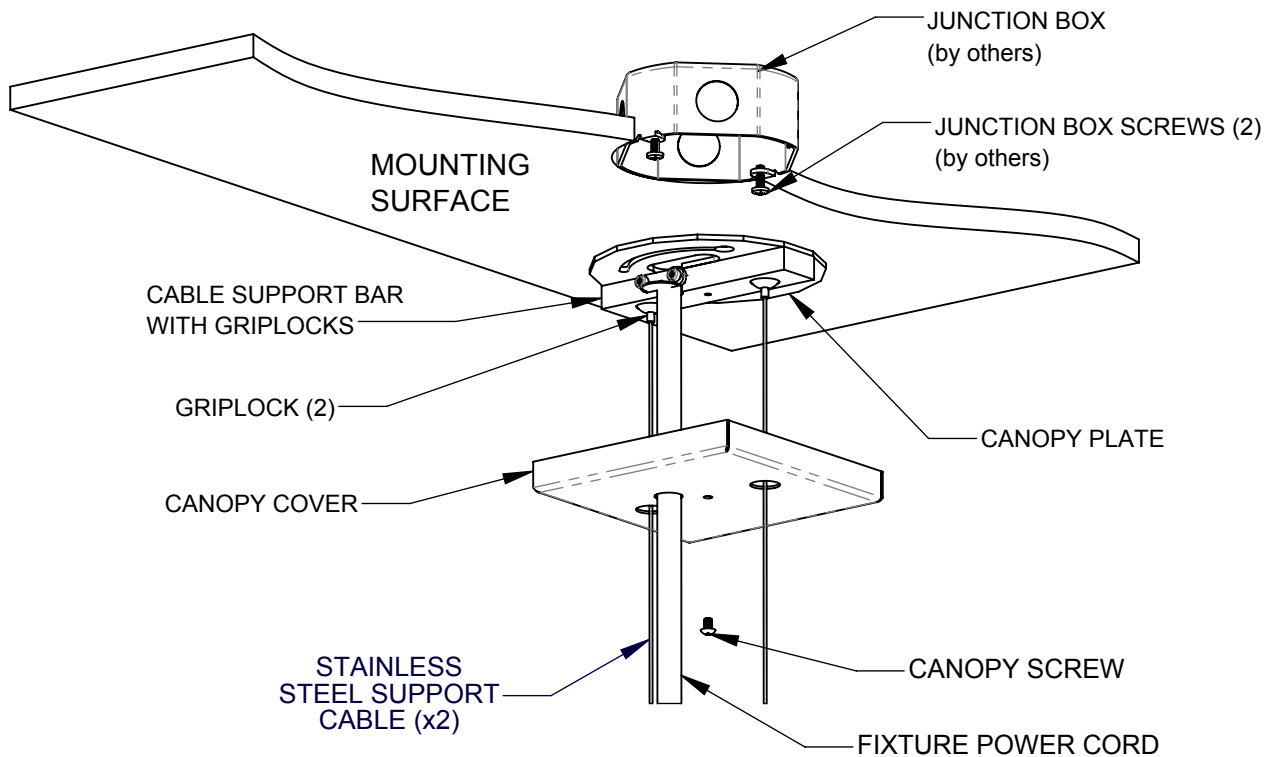
! When using electrical equipment, basic safety precautions should always be followed, including the following:

- Read all instructions carefully before installing and save for future use.
- Make sure all connections are in accordance with the National Electrical Code and local regulations.
- To avoid possible electric shock, be sure the power supply is turned off before servicing or installing the fixture.
- Service should be performed by qualified personnel.
- These instructions may not cover all details or variations. If additional information is needed, please contact Visa Lighting.

INSTALLATION INSTRUCTIONS

Model: **CP5836, 38, 40, 42, 44, 46**
Fixture Family: **SEQUENCE SQUARE**
Document Description: Installation Instructions for
SEQUENCE 8IN Series Luminaires

VISA LIGHTING
AN OLDENBURG GROUP COMPANY
1717 West Civic Drive Milwaukee, WI 53209
414-354-6600
Design Modification Rights Reserved
© Visa Lighting



Instructions -

1. INSTALL THE JUNCTION BOX SCREWS HALFWAY INTO THE JUNCTION BOX (by others).
2. INSTALL THE (2) STEEL SUPPORT CABLES AND THE POWER CABLE THROUGH THE LOCATIONS SHOWN IN THE CANOPY COVER.
3. SLIDE THE POWER CABLE THROUGH THE POWER CABLE CLAMP AND TIGHTEN. MAKE SURE THERE IS ROUGHLY 1" OF THE POWER CORD ABOVE THE POWER CABLE CLAMP GOING INTO THE JUNCTION BOX.
4. MAKE ALL WIRE CONNECTIONS IN ACCORDANCE TO LOCAL AND NATIONAL CODES.
5. INSERT THE STEEL CABLES INTO THE GRIPLOCKS, MAKING SURE THE CABLES HAVE EVEN TENSION ON THEM. FAILURE TO DO SO WILL CAUSE THE WEIGHT OF THE FIXTURE TO BE UNEVEN AND CAN CAUSE THE CABLES TO FAIL.
6. INSTALL THE CANOPY PLATE BY INSERTING THE HEAD OF THE JUNCTION BOX SCREWS THROUGH THE LARGER OPENING ON THE CANOPY PLATE FOR BOTH SCREWS. ROTATE THE PLATE SO THE HEADS OF THE SCREWS ARE SUPPORTING THE PLATE. TIGHTEN JUNCTION BOX SCREWS. DO NOT ALLOW THE FIXTURE TO HANG UNTIL THE JUNCTION BOX SCREWS ARE COMPLETELY SECURED!
7. SLIDE THE CANOPY COVER UP TO THE MOUNTING SURFACE AND TIGHTEN WITH THE CANOPY SCREW.

When using electrical equipment, basic safety precautions should always be followed, including the following:

- Read all instructions carefully before installing and save for future use.
- Make sure all connections are in accordance with the National Electrical Code and local regulations.
- To avoid possible electric shock, be sure the power supply is turned off before servicing or installing the fixture.
- Service should be performed by qualified personnel.
- These instructions may not cover all details or variations. If additional information is needed, please contact Visa Lighting.

Drawing: 762294XX

Rev: C

Sheet: 2 of 4

Eng: CLD

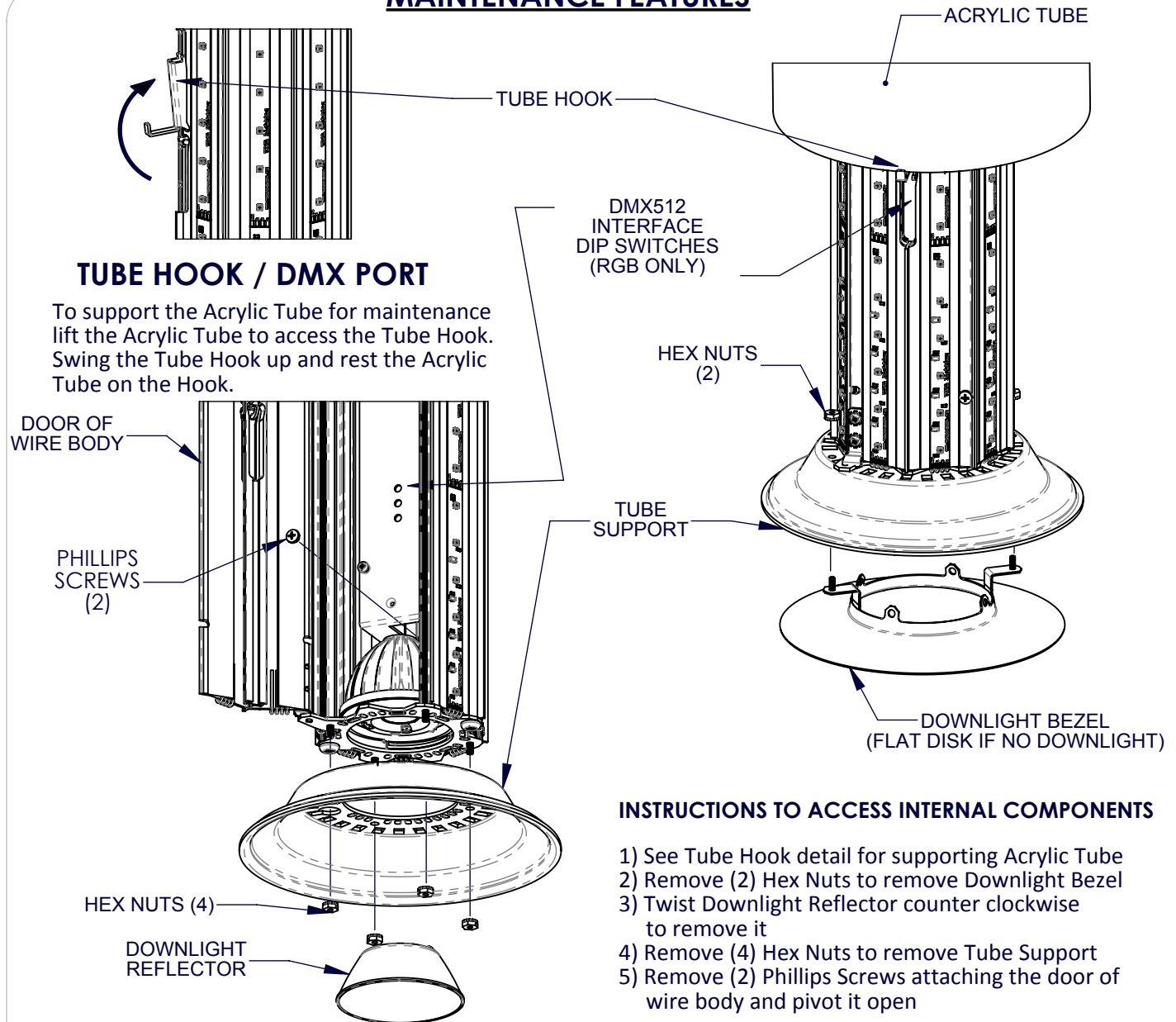
Date Drawn: 03/05/18

INSTALLATION INSTRUCTIONS

Model: **CP5836, 38, 40, 42, 44, 46**
Fixture Family: **SEQUENCE SQUARE**
Document Description: Installation Instructions for
SEQUENCE 8IN Series Luminaires

VISA LIGHTING
AN OLDENBURG GROUP COMPANY
1717 West Civic Drive Milwaukee, WI 53209
414-354-6600
Design Modification Rights Reserved
© Visa Lighting

MAINTENANCE FEATURES



DMX-CONTROL INSTRUCTIONS (RGB LEDS ONLY)

1. See VisaLighting.com/DMXguide for further details on installing a DMX system.
2. To RDM address turn switch 11 ON and switch 10 OFF (Default).
3. To manually address with the DIP switches turn switch 10 and 11 OFF and use 'Chart B-Euro DMX 512' to address. Available at VisaLighting.com/DMXchartB. Example: (Ch# =Dip Switch ON) (1= 0) (4= 1, 2) (7= 2, 3) (512= 1, 2, 3, 4, 5, 6, 7, 8, 9).
4. While this controller will take a set of 4 DMX addresses – only 3 DMX addresses are being used so the fixtures can be addressed in groups of 3.

When using electrical equipment, basic safety precautions should always be followed, including the following:

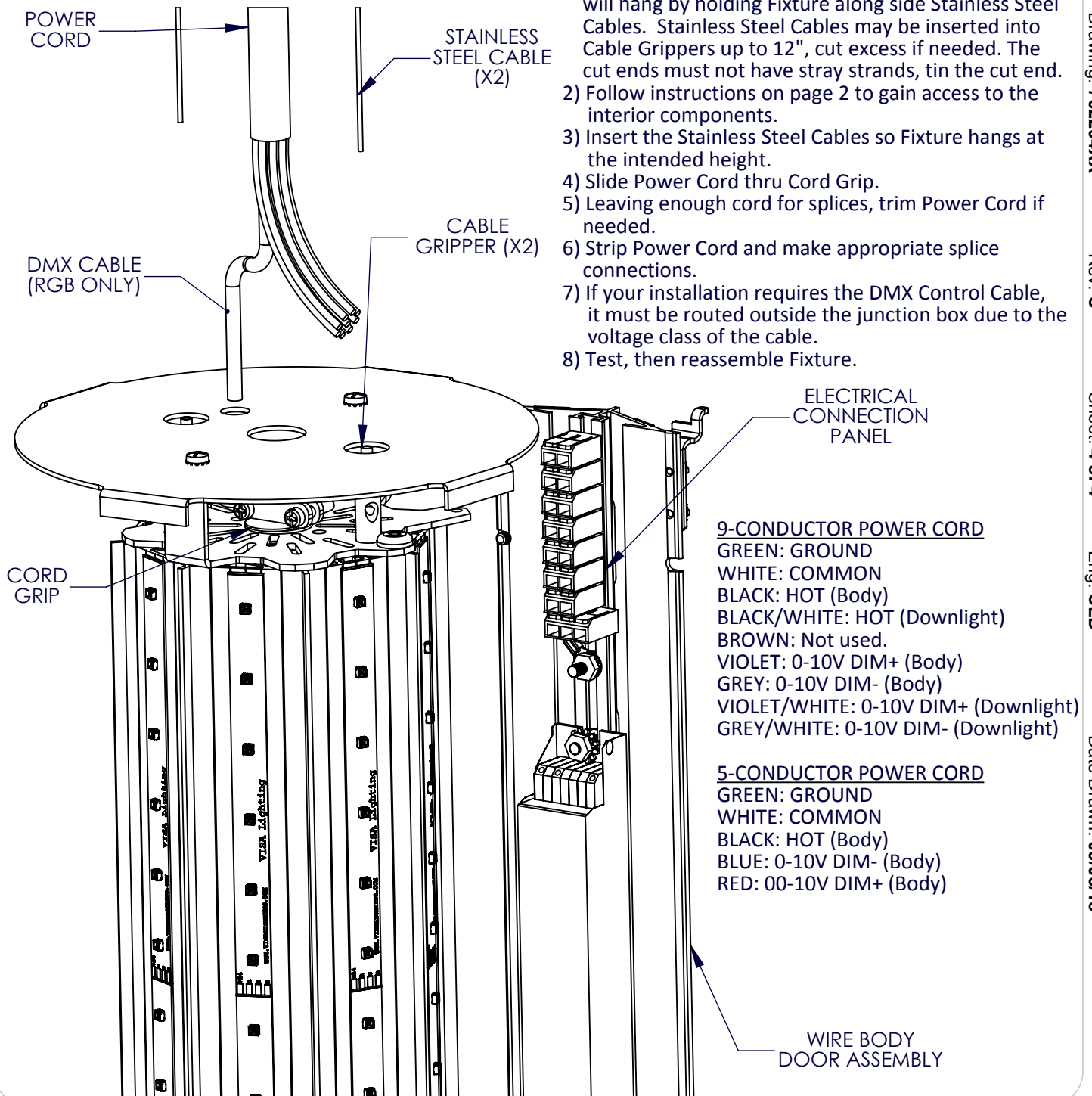
- Read all instructions carefully before installing and save for future use.
- Make sure all connections are in accordance with the National Electrical Code and local regulations.
- To avoid possible electric shock, be sure the power supply is turned off before servicing or installing the fixture
- Service should be performed by qualified personnel.
- These instructions may not cover all details or variations. If additional information is needed, please contact Visa Lighting.

INSTALLATION INSTRUCTIONS

Model: **CP5836, 38, 40, 42, 44, 46**
 Fixture Family: **SEQUENCE SQUARE**
 Document Description: Installation Instructions for
 SEQUENCE 8IN Series Luminaires

VISA LIGHTING
 AN OLDENBURG GROUP COMPANY
 1717 West Civic Drive Milwaukee, WI 53209
 414-354-6600
 Design Modification Rights Reserved
 © Visa Lighting

PRE-INSTALLED CABLE AND CORDS



INSTRUCTIONS

- 1) Preparation: Determine the height the Fixture will hang by holding Fixture along side Stainless Steel Cables. Stainless Steel Cables may be inserted into Cable Grippers up to 12", cut excess if needed. The cut ends must not have stray strands, tin the cut end.
- 2) Follow instructions on page 2 to gain access to the interior components.
- 3) Insert the Stainless Steel Cables so Fixture hangs at the intended height.
- 4) Slide Power Cord thru Cord Grip.
- 5) Leaving enough cord for splices, trim Power Cord if needed.
- 6) Strip Power Cord and make appropriate splice connections.
- 7) If your installation requires the DMX Control Cable, it must be routed outside the junction box due to the voltage class of the cable.
- 8) Test, then reassemble Fixture.

9-CONDUCTOR POWER CORD

GREEN: GROUND
 WHITE: COMMON
 BLACK: HOT (Body)
 BLACK/WHITE: HOT (Downlight)
 BROWN: Not used.
 VIOLET: 0-10V DIM+ (Body)
 GREY: 0-10V DIM- (Body)
 VIOLET/WHITE: 0-10V DIM+ (Downlight)
 GREY/WHITE: 0-10V DIM- (Downlight)

5-CONDUCTOR POWER CORD

GREEN: GROUND
 WHITE: COMMON
 BLACK: HOT (Body)
 BLUE: 0-10V DIM- (Body)
 RED: 00-10V DIM+ (Body)

Drawing: 762294XX

Rev: C

Sheet: 4 of 4

Eng: CLD

Date Drawn: 03/05/18

! When using electrical equipment, basic safety precautions should always be followed, including the following:

- Read all instructions carefully before installing and save for future use.
- Make sure all connections are in accordance with the National Electrical Code and local regulations.
- To avoid possible electric shock, be sure the power supply is turned off before servicing or installing the fixture.
- Service should be performed by qualified personnel.
- These instructions may not cover all details or variations. If additional information is needed, please contact Visa Lighting.