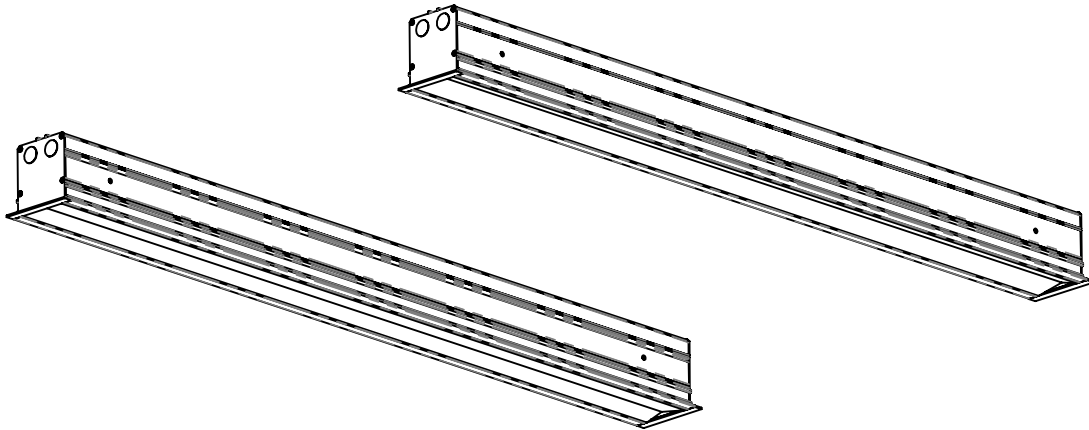


INSTALLATION INSTRUCTIONS

Model: **CM2060**
Fixture Family: **LENGA**
Document Description: Installation Instructions for
LENGA Series Luminaires

 **VISA LIGHTING**
AN OLDENBURG GROUP COMPANY
1717 West Civic Drive Milwaukee, WI 53209
414-354-6600
Design Modification Rights Reserved
© Visa Lighting 2016



LENGA - OVERBED SLOT FIXTURES

CM2060

PAGE 2
FIXTURE ORIENTATION

PAGE 3
LAMPING REMOVAL/INSTALLATION

PAGE 4
T-GRID INSTALLATION

PAGE 5
DRYWALL CUTOUT DIMENSIONS

PAGE 6
DRYWALL INSTALLATION

Drawing: 762296XX

Rev: A

Sheet: 1 of 6

Eng: CLD

Date Drawn: 05/23/18

! When using electrical equipment, basic safety precautions should always be followed, including the following:

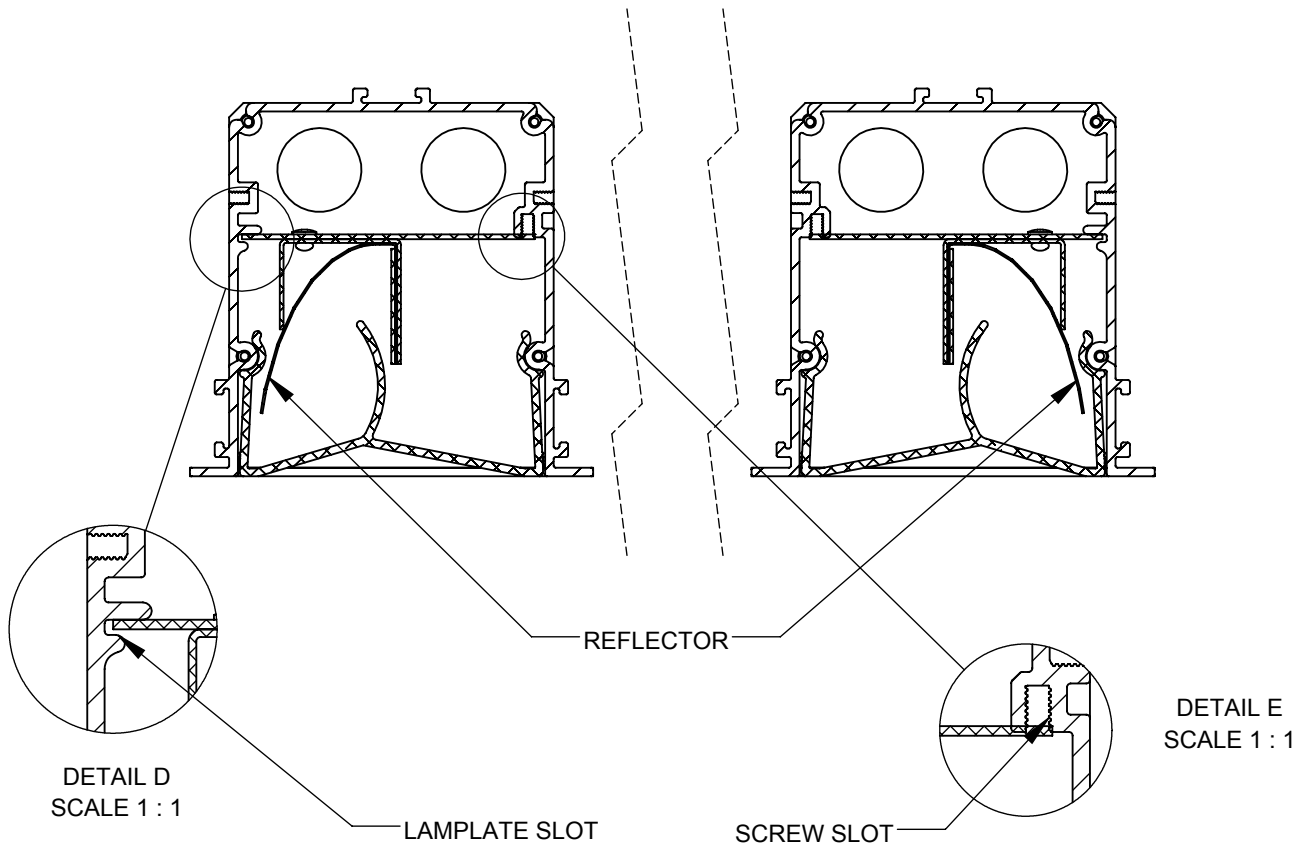
- Read all instructions carefully before installing and save for future use.
- Make sure all connections are in accordance with the National Electrical Code and local regulations.
- To avoid possible electric shock, be sure the power supply is turned off before servicing or installing the fixture.
- Service should be performed by qualified personnel.
- These instructions may not cover all details or variations. If additional information is needed, please contact Visa Lighting.

INSTALLATION INSTRUCTIONS

Model: **CM2060**
Fixture Family: **LENGA**
Document Description: Installation Instructions for
LENGA Series Luminaires

VISA LIGHTING
AN OLDENBURG GROUP COMPANY
1717 West Civic Drive Milwaukee, WI 53209
414-354-6600
Design Modification Rights Reserved
© Visa Lighting

FIXTURE ORIENTATION



FIXTURES MUST BE INSTALLED IN THE PROPER ORIENTATION!!

1. EACH FIXTURE WILL HAVE AN "INSIDE" STICKER ON IT'S HOUSING.
2. THESE SIDES OF THE HOUSINGS MUST FACE EACH OTHER WHEN INSTALLED
3. ELECTRICAL CONNECTIONS CAN BE MADE AT EITHER END OF THE HOUSINGS, AND KNOCKOUTS HAVE BEEN PROVIDED TO ALLOW SEPARATION OF WIRES FOR EACH CIRCUIT IF DESIRED.
4. EACH HOUSING HAS A SLOT THAT THE LAMPING RESTS IN AND IS FASTENED BY SCREWS IN A SCREW SLOT ON THE OTHER SIDE. THESE FEATURES CAN HELP CONFIRM PROPER INSTALLATION OF THE HOUSINGS

When using electrical equipment, basic safety precautions should always be followed, including the following:

- Read all instructions carefully before installing and save for future use.
- Make sure all connections are in accordance with the National Electrical Code and local regulations.
- To avoid possible electric shock, be sure the power supply is turned off before servicing or installing the fixture
- Service should be performed by qualified personnel.
- These instructions may not cover all details or variations. If additional information is needed, please contact Visa Lighting.

Drawing: 762296XX

Rev: A

Sheet: 2 of 6

Eng: CLD

Date Drawn: 05/23/18

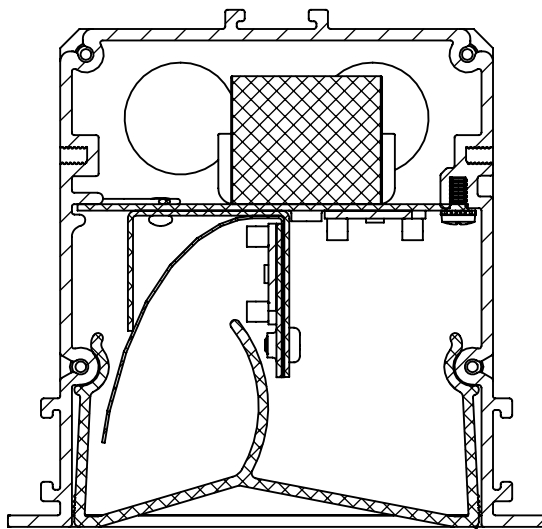
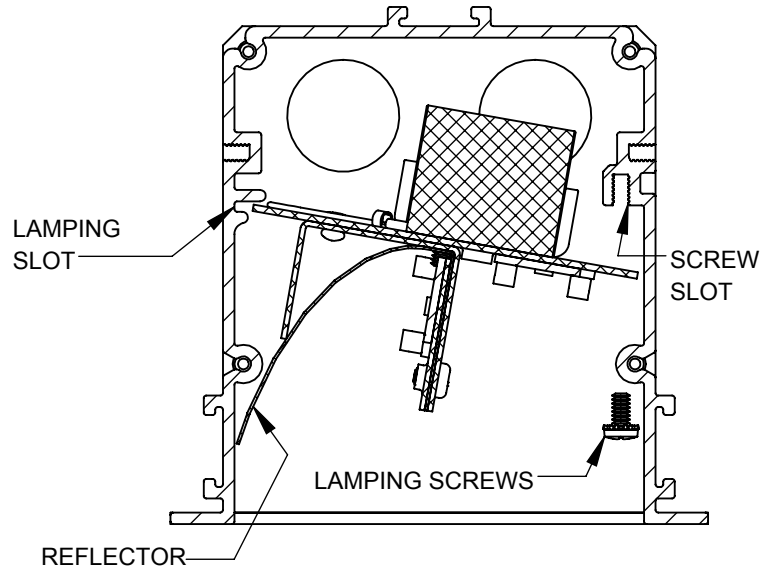
INSTALLATION INSTRUCTIONS

Model: **CM2060**
Fixture Family: **LENGA**
Document Description: Installation Instructions for
LENGA Series Luminaires

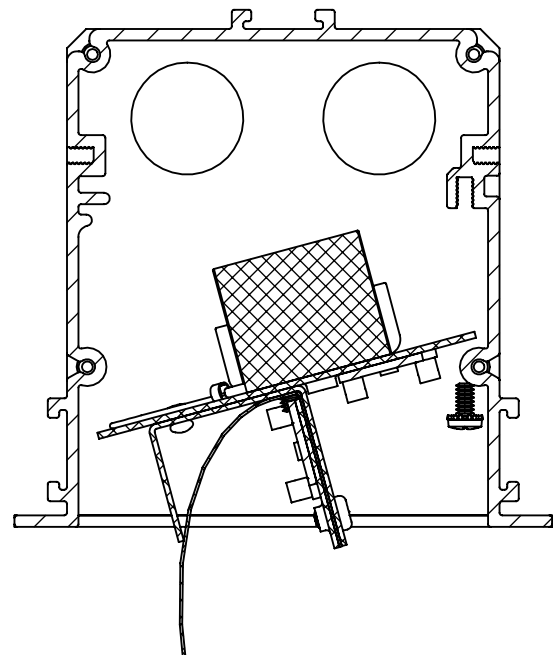
VISA LIGHTING
AN OLDENBURG GROUP COMPANY
1717 West Civic Drive Milwaukee, WI 53209
414-354-6600
Design Modification Rights Reserved
© Visa Lighting

LAMPING REMOVAL/INSTALLATION

1. BEFORE INSTALLING HOUSING, REMOVE LENS WITH A SMALL PUTTY KNIFE
2. EACH HOUSING HAS A SLOT THAT THE LAMPING RESTS IN AND IS FASTENED BY SCREWS IN A SCREW SLOT ON THE OTHER SIDE.
3. DO NOT HANDLE LAMPING BY THE REFLECTOR !!
4. REMOVE LAMPING SCREWS AND TILT LAMPING OUT OF THE LAMPING SLOT
5. ROTATE LAMPING TO ALLOW IT TO PASS INTERNAL HOUSING FEATURES.
6. REVERSE THE PROCESS TO RE-INSTALL LAMPING AFTER HOUSING INSTALLATION.



PRY OUT LENS USING SMALL
PUTTY KNIFE INSERTED HERE
NEAR END OF FIXTURE



Drawing: 762296XX

Rev: A

Sheet: 3 of 6

Eng: CLD

Date Drawn: 05/23/18

When using electrical equipment, basic safety precautions should always be followed, including the following:

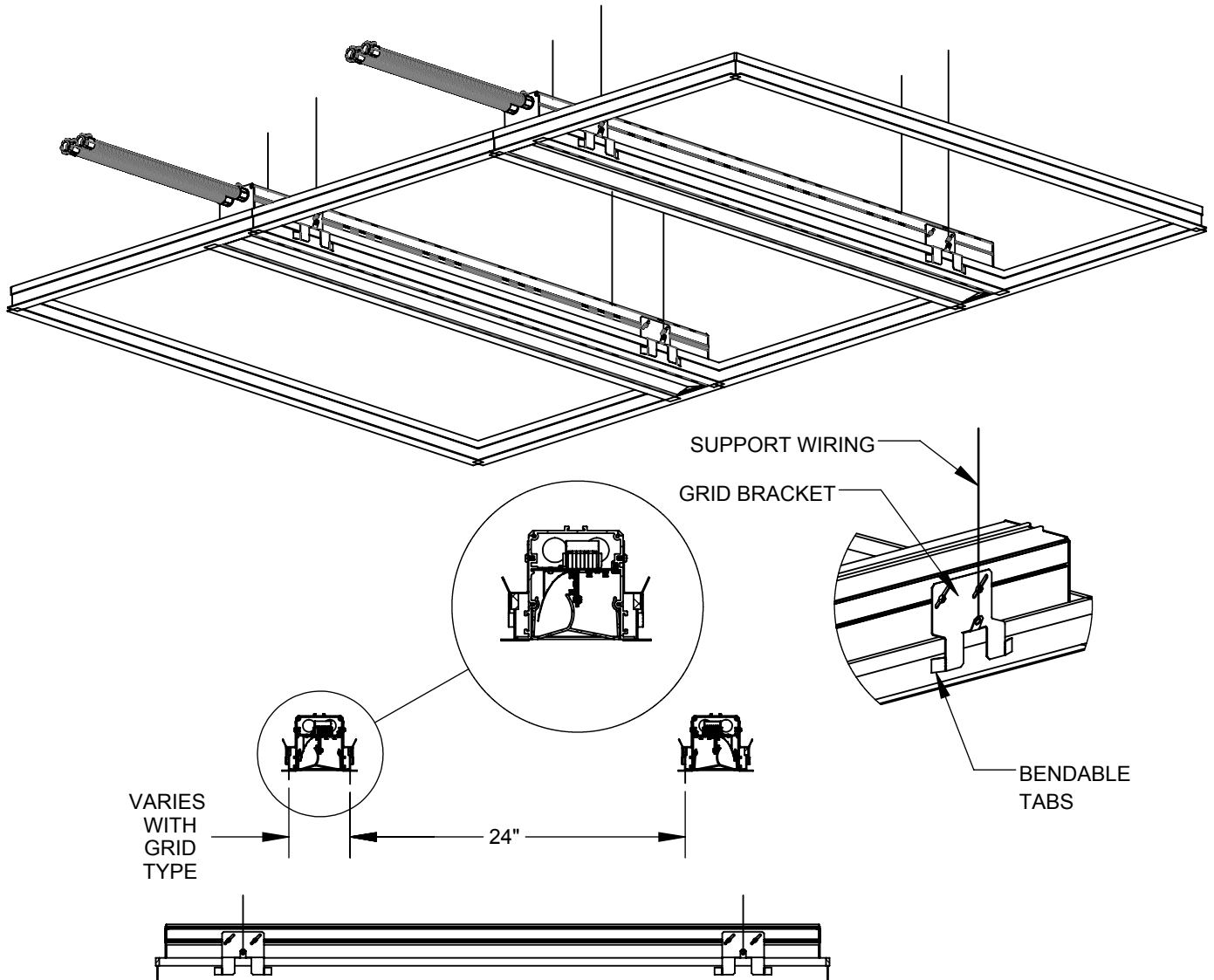
- Read all instructions carefully before installing and save for future use.
- Make sure all connections are in accordance with the National Electrical Code and local regulations.
- To avoid possible electric shock, be sure the power supply is turned off before servicing or installing the fixture.
- Service should be performed by qualified personnel.
- These instructions may not cover all details or variations. If additional information is needed, please contact Visa Lighting.

INSTALLATION INSTRUCTIONS

Model: **CM2060**
Fixture Family: **LENGA**
Document Description: Installation Instructions for
LENGA Series Luminaires

VISA LIGHTING
AN OLDENBURG GROUP COMPANY
1717 West Civic Drive Milwaukee, WI 53209
414-354-6600
Design Modification Rights Reserved
© Visa Lighting

T-GRID INSTALLATION



1. INSIDE GRID MEMBERS BASED ON STANDARD 24" SPACING. OUTER GRID MEMBERS SPACING DEPENDANT ON GRID TYPE.
2. AFTER GRID INSTALL, USE PROVIDED GRID BRACKETS TO SECURE FIXTURE TO GRID MEMBERS.
3. BEND TABS OF BRACKETS IN UNTIL CONTACT WITH GRID MEMBER.
4. ATTACH SUPPORT WIRING TO THE BUILDING AND FIXTURE.

When using electrical equipment, basic safety precautions should always be followed, including the following:

- Read all instructions carefully before installing and save for future use.
- Make sure all connections are in accordance with the National Electrical Code and local regulations.
- To avoid possible electric shock, be sure the power supply is turned off before servicing or installing the fixture.
- Service should be performed by qualified personnel.
- These instructions may not cover all details or variations. If additional information is needed, please contact Visa Lighting.

Drawing: 762296XX

Rev: A

Sheet: 4 of 6

Eng: CLD

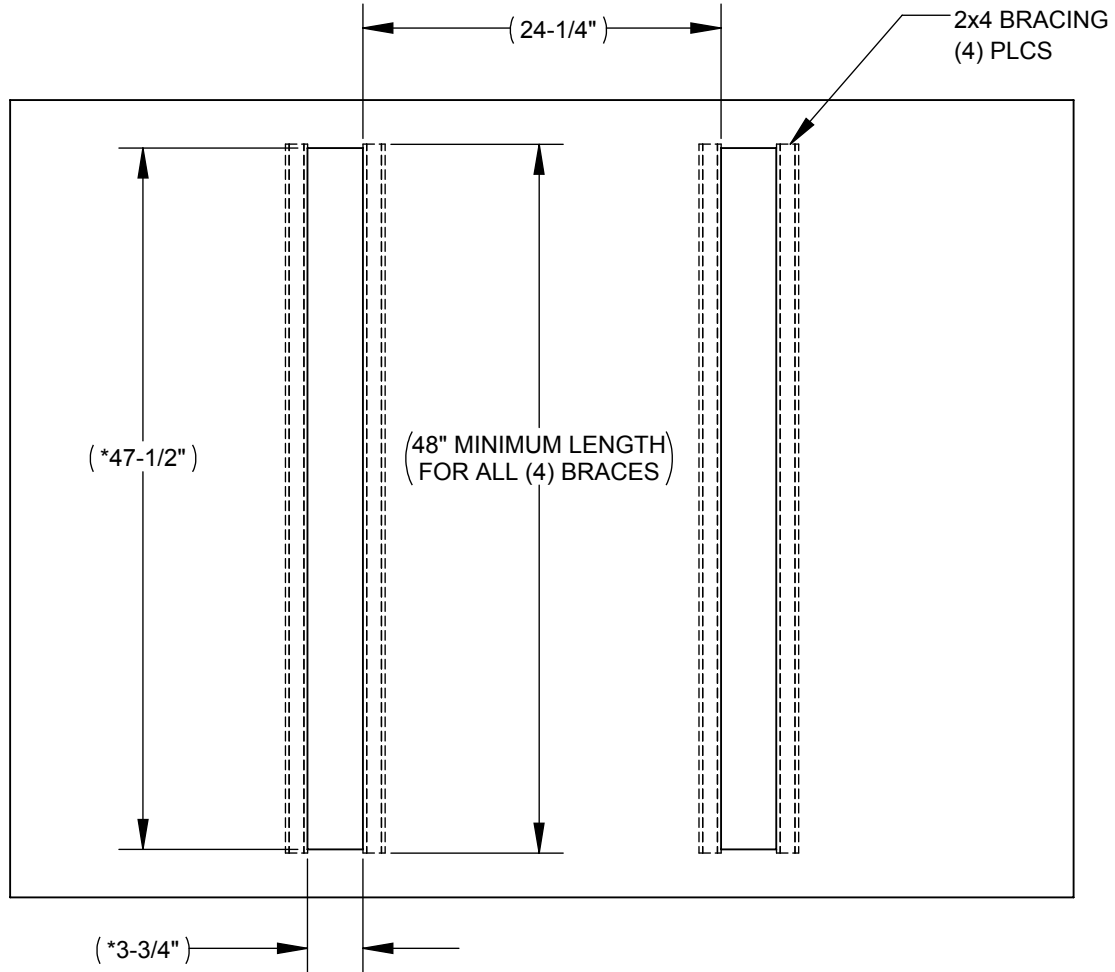
Date Drawn: 05/23/18

INSTALLATION INSTRUCTIONS

Model: **CM2060**
 Fixture Family: **LENGA**
 Document Description: Installation Instructions for
 LENGA Series Luminaires

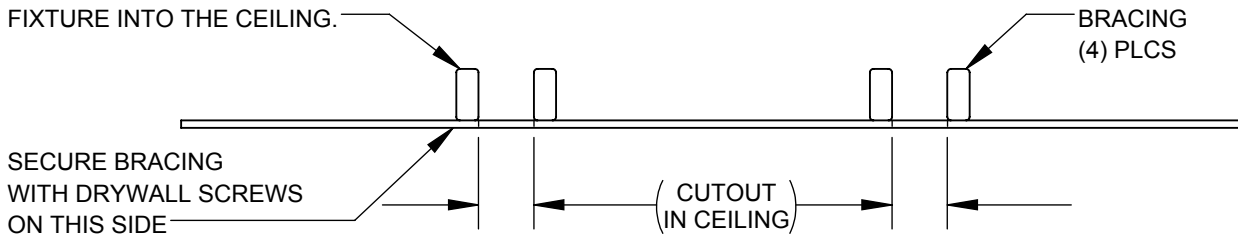
VISA LIGHTING
 AN OLDENBURG GROUP COMPANY
 1717 West Civic Drive Milwaukee, WI 53209
 414-354-6600
 Design Modification Rights Reserved
 © Visa Lighting

CUTOUT DIMENSIONS FOR FIXTURE IN DRYWALL *LOOKING UP*



CUTOUT FOR FIXTURE MUST BE EXACT TO THE DIMENSIONS SHOWN
 IN ORDER FOR THE FIXTURE TO MOUNT PROPERLY IN THE CEILING

INSTALL BRACING ON BOTH SIDES OF
 EACH CUTOUT. BEFORE INSTALLING
 FIXTURE INTO THE CEILING.



Drawing: 762296XX

Rev: A

Sheet: 5 of 6

Eng: CLD

Date Drawn: 05/23/18



When using electrical equipment, basic safety precautions should always be followed, including the following:

- Read all instructions carefully before installing and save for future use.
- Make sure all connections are in accordance with the National Electrical Code and local regulations.
- To avoid possible electric shock, be sure the power supply is turned off before servicing or installing the fixture.
- Service should be performed by qualified personnel.

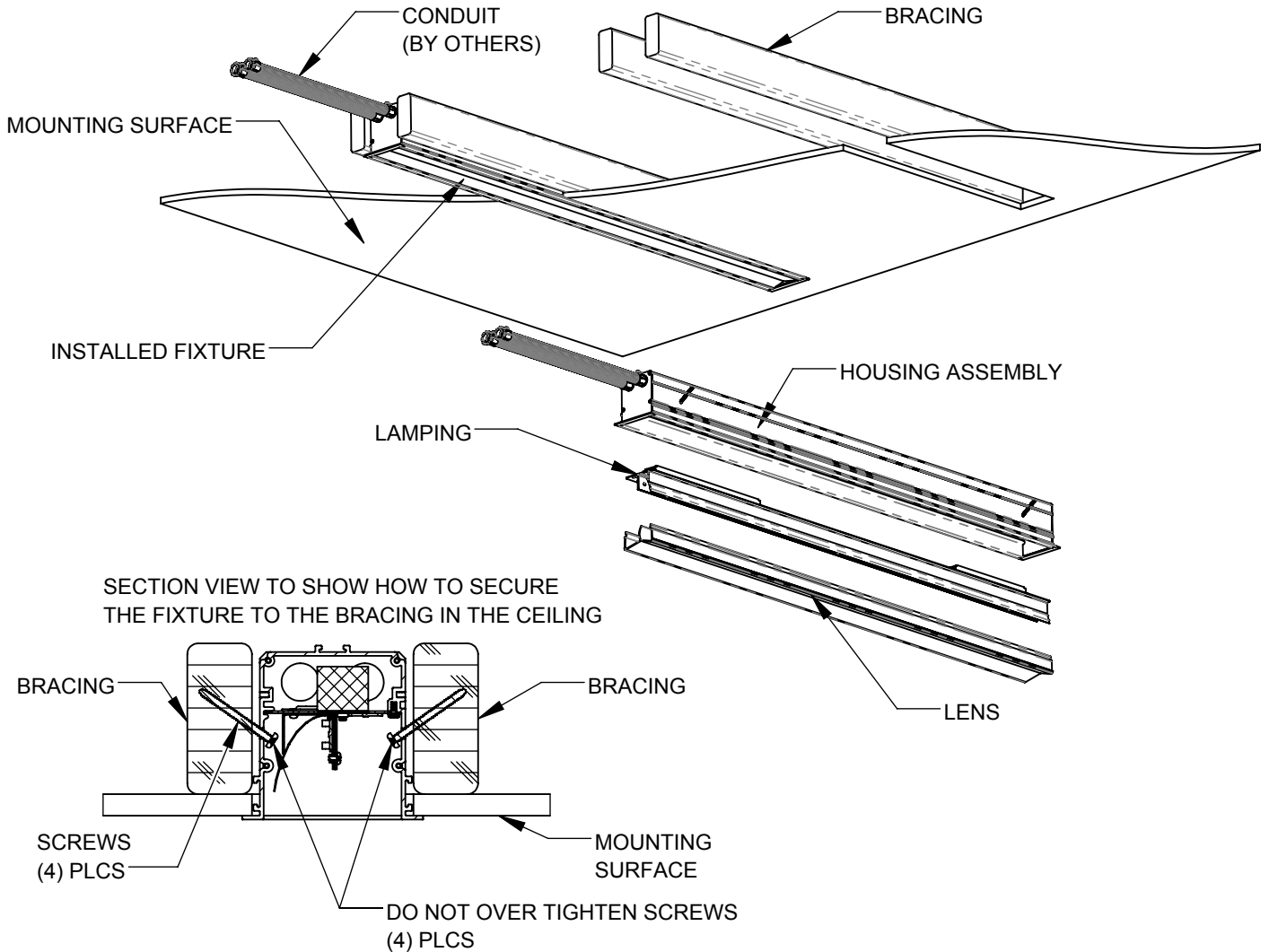
• These instructions may not cover all details or variations. If additional information is needed, please contact Visa Lighting.

INSTALLATION INSTRUCTIONS

Model: **CM2060**
Fixture Family: **LENGA**
Document Description: Installation Instructions for
LENGA Series Luminaires

VISA LIGHTING
AN OLDENBURG GROUP COMPANY
1717 West Civic Drive Milwaukee, WI 53209
414-354-6600
Design Modification Rights Reserved
© Visa Lighting

DRYWALL INSTALLATION



1. After cutting the proper size holes in the drywall, install the bracing.
2. Refer to Page 4 for size and positioning of the bracing.
3. Once bracing is installed, secure housing with drywall screws through the mounting surface.

When using electrical equipment, basic safety precautions should always be followed, including the following:

- Read all instructions carefully before installing and save for future use.
- Make sure all connections are in accordance with the National Electrical Code and local regulations.
- To avoid possible electric shock, be sure the power supply is turned off before servicing or installing the fixture.
- Service should be performed by qualified personnel.
- These instructions may not cover all details or variations. If additional information is needed, please contact Visa Lighting.

Drawing: 762296XX

Rev: A

Sheet: 6 of 6

Eng: CLD

Date Drawn: 05/23/18