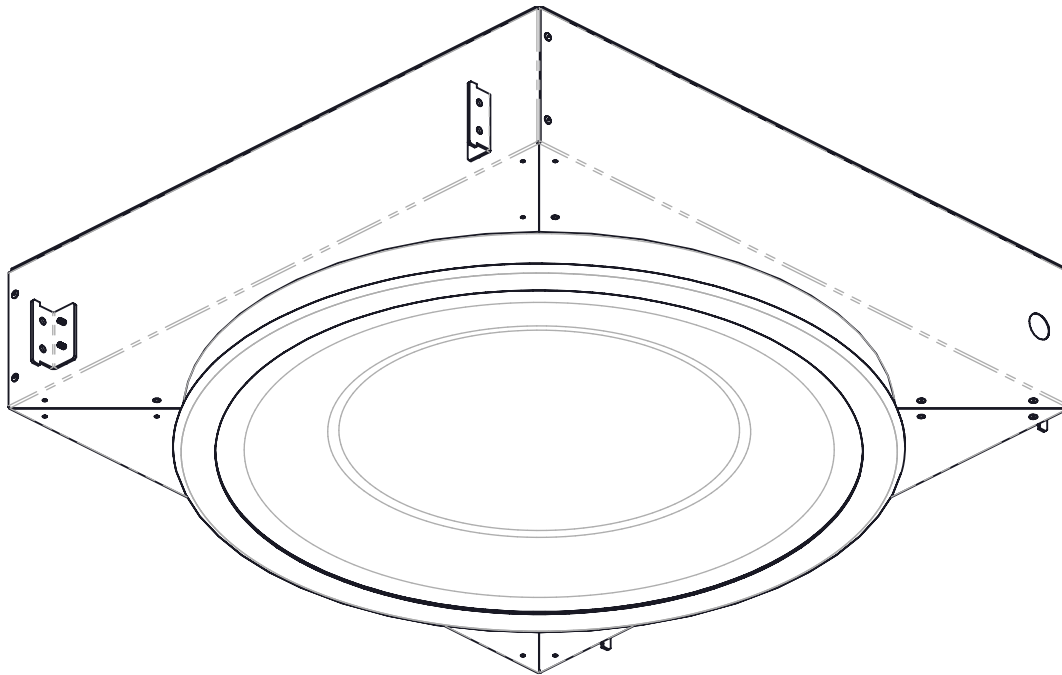


INSTALLATION INSTRUCTIONS

Model: **CM1980-W, CM1982-W,-T**
Fixture Family: **SYMMETRY**
Document Description: Installation Instructions for
2FT Symmetry Series Luminaires

VISA LIGHTING
AN OLDENBURG GROUP COMPANY
1717 West Civic Drive Milwaukee, WI 53209
414-354-6600
Design Modification Rights Reserved
© Visa Lighting



SYMMETRY

CM1980-W
CM1982-W
CM1982-T

Drawing: 762299XX

Rev: C

Sheet: 1 of 6

Eng: AJM

Date Drawn: 3/21/22

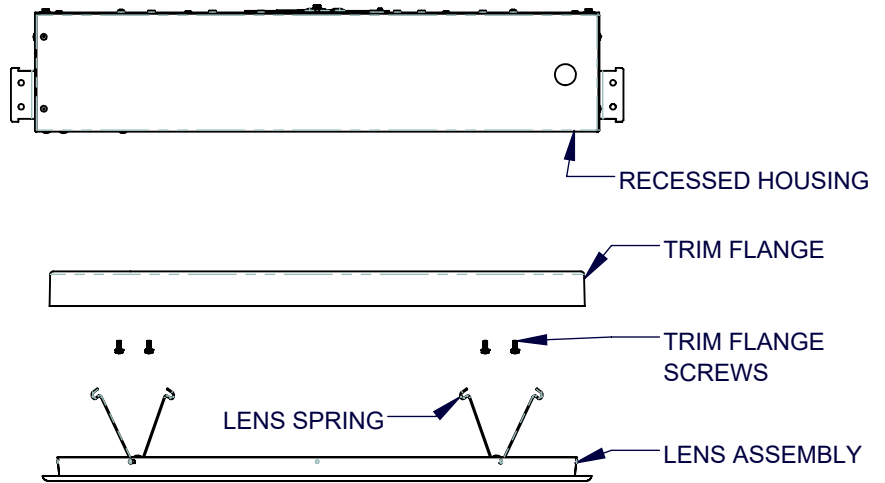
! When using electrical equipment, basic safety precautions should always be followed, including the following:

- Read all instructions carefully before installing and save for future use.
- Make sure all connections are in accordance with the National Electrical Code and local regulations.
- To avoid possible electric shock, be sure the power supply is turned off before servicing or installing the fixture.
- Service should be performed by qualified personnel.
- These instructions may not cover all details or variations. If additional information is needed, please contact Visa Lighting.

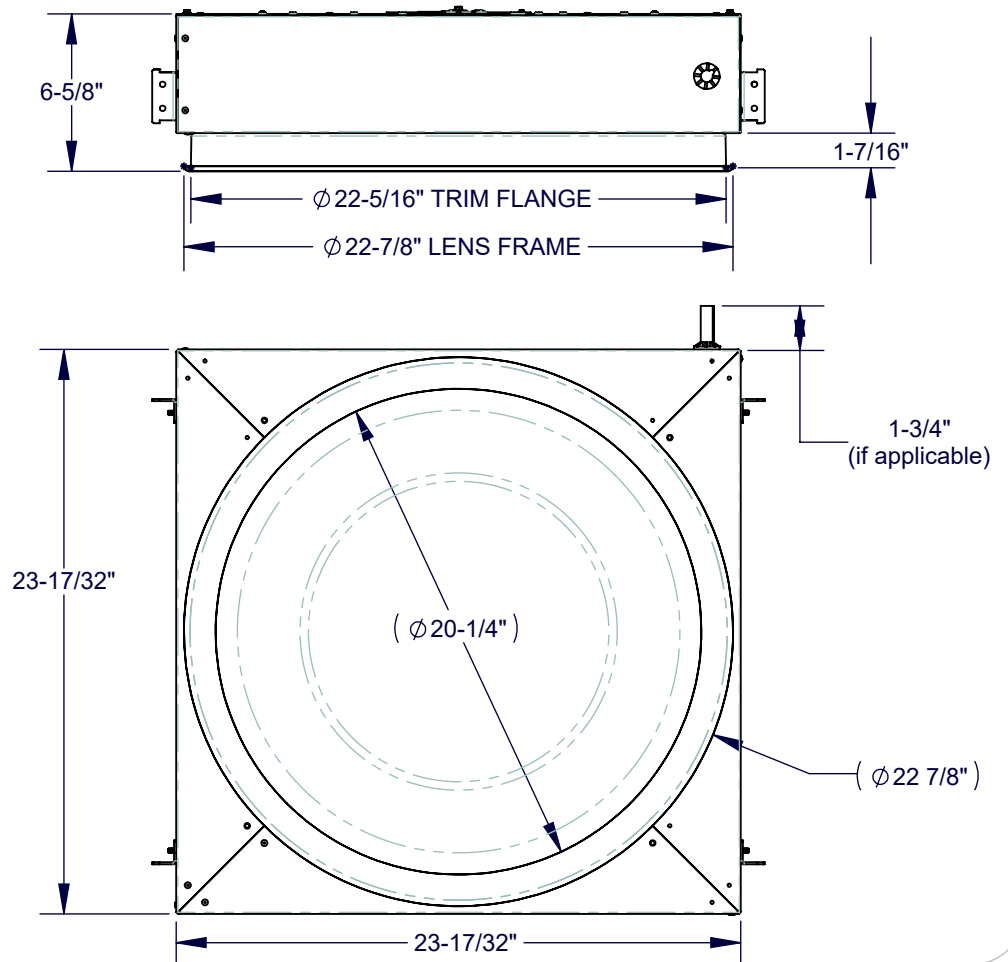
INSTALLATION INSTRUCTIONS

Model: **CM1980-W, CM1982-W,-T**
 Fixture Family: **SYMMETRY**
 Document Description: Installation Instructions for
 2FT Symmetry Series Luminaires

LENS AND TRIM FRAME ASSEMBLY:



DIMENSIONS:



Drawing: 762299XX

Rev: C

Sheet: 2 of 6

Eng: AJM

Date Drawn: 3/21/22



When using electrical equipment, basic safety precautions should always be followed, including the following:

- Read all instructions carefully before installing and save for future use.
- Make sure all connections are in accordance with the National Electrical Code and local regulations.
- To avoid possible electric shock, be sure the power supply is turned off before servicing or installing the fixture.
- Service should be performed by qualified personnel.

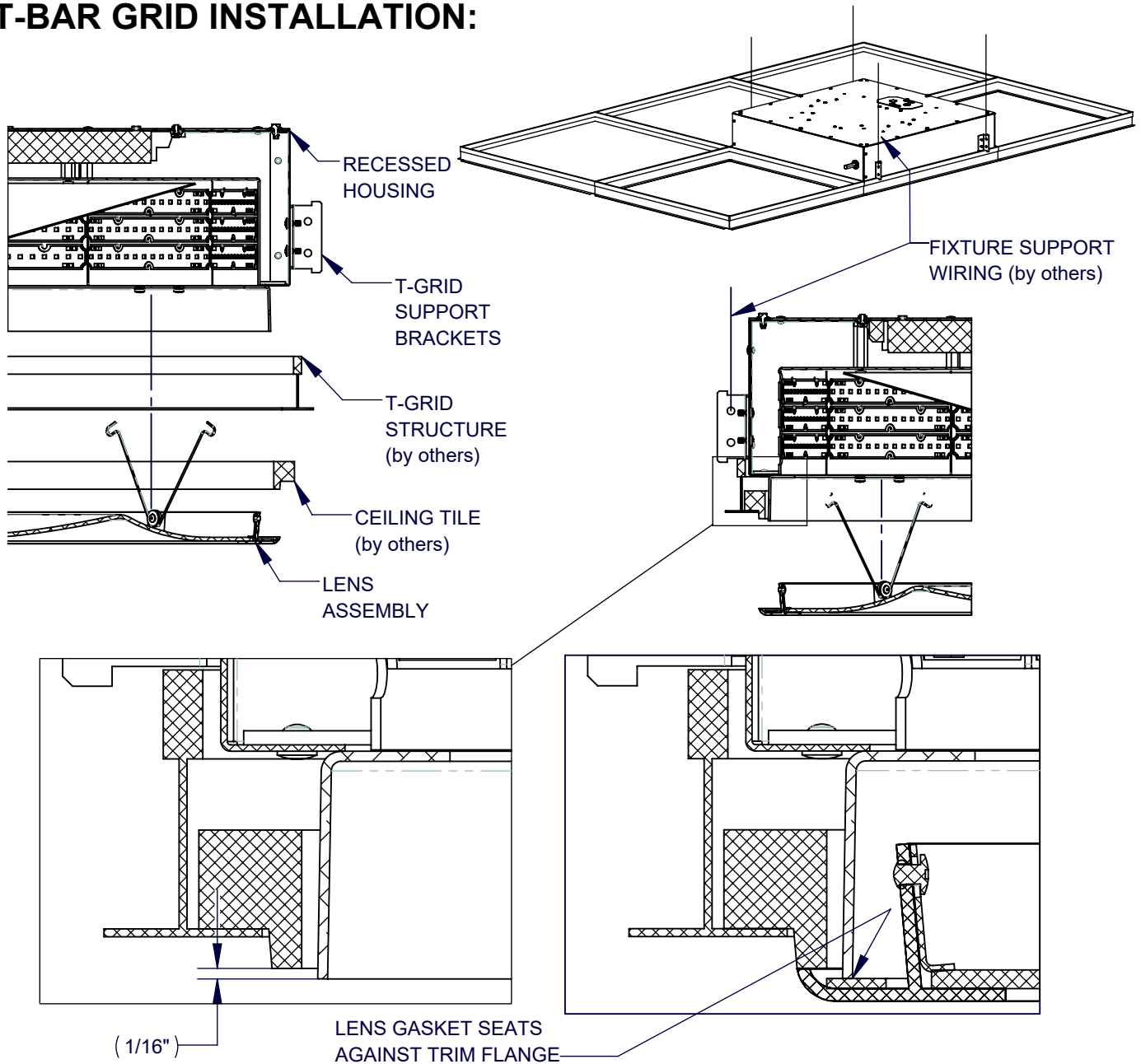
• These instructions may not cover all details or variations. If additional information is needed, please contact Visa Lighting.

INSTALLATION INSTRUCTIONS

Model: **CM1980-W, CM1982-W,-T**
 Fixture Family: **SYMMETRY**
 Document Description: Installation Instructions for
 2FT Symmetry Series Luminaires

VISA LIGHTING
 AN OLDENBURG GROUP COMPANY
 1717 West Civic Drive Milwaukee, WI 53209
 414-354-6600
 Design Modification Rights Reserved
 © Visa Lighting

T-BAR GRID INSTALLATION:



1. Remove trim flange, driver/wiring cover and LED lamp plate. **NOTE:** See Sheet 4 for details.
2. Install the remaining recessed housing into the T-bar grid system by lifting the fixture through the opening and lowering it onto the T-bar grid.
3. Adjust the corner brackets so the trim flange protrudes from the ceiling tile face by 1/16". Adjust if necessary.
4. Support the fixture with wires attached to the building structure per code.
5. **NOTE:** if a thermal protector is present, the fixture **MUST NOT** come in contact with insulation.

Drawing: 762299XX

Rev: C

Sheet: 3 of 6

Eng: AJM

Date Drawn: 3/21/22

! When using electrical equipment, basic safety precautions should always be followed, including the following:

- Read all instructions carefully before installing and save for future use.
- Make sure all connections are in accordance with the National Electrical Code and local regulations.
- To avoid possible electric shock, be sure the power supply is turned off before servicing or installing the fixture.
- Service should be performed by qualified personnel.
- These instructions may not cover all details or variations. If additional information is needed, please contact Visa Lighting.

INSTALLATION INSTRUCTIONS

Model: **CM1980-W, CM1982-W,-T**
Fixture Family: **SYMMETRY**
Document Description: Installation Instructions for
2FT Symmetry Series Luminaires

VISA LIGHTING
AN OLDENBURG GROUP COMPANY
1717 West Civic Drive Milwaukee, WI 53209
414-354-6600
Design Modification Rights Reserved
© Visa Lighting 2016

Drawing: 762299XX

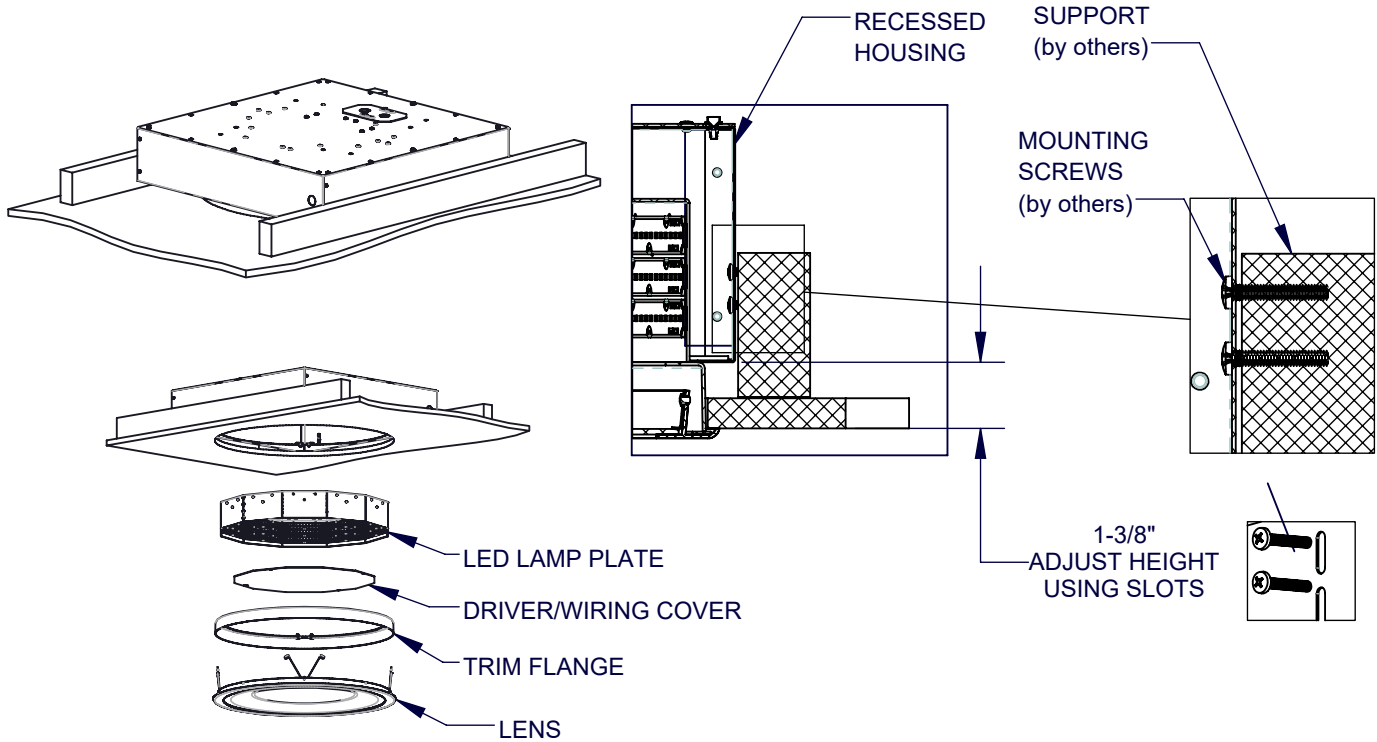
Rev: C

Sheet: 4 of 6

Eng: AJM

Date Drawn: 3/21/22

SHEETROCK INSTALLATION:



1. Provide a framed opening for centering the fixture. The recessed housing opening should measure 23-3/4". This will help support the fixture when it is fully installed.
2. Remove lens and trim frame. Reattach the trim frame screws to the recessed housing for use later. The lens and trim frame are not reinstalled until all sheetrock work is completed.
3. Remove driver/wiring cover, and LED lamp plate.
4. Secure the fixture to the structure with mounting screws (by others) through the slots located in the recessed housing. Adjust the fixture so the bottom of the recessed housing is 1-3/8" above the bottom of the finished surface.
5. **NOTE:** See Sheet 6 for the alternative method of securing the recessed housing to an above structure using struts and threaded rods (by others).
6. Make all the electrical connections required per applicable local codes.
7. Complete sheetrock installation.
8. Once sheetrock installation is completed, cut circular opening for trim frame. **NOTE:** Opening diameter to be 22-5/16" to 22-9/16". Use the trim flange as a guiding edge to assist.
9. Reattach the LED lamp plate and secure to (4) standoffs in recessed housing.
10. Reattach the trim flange to the recessed housing. **NOTE:** The trim flange must protrude from the sheetrock face by 1/16". Adjust if necessary. **NOTE:** See Sheet 3 for details.
11. Reattach the driver/wiring cover, and lens assembly.
12. **NOTE:** if a thermal protector is present, the fixture **MUST NOT** come in contact with insulation.

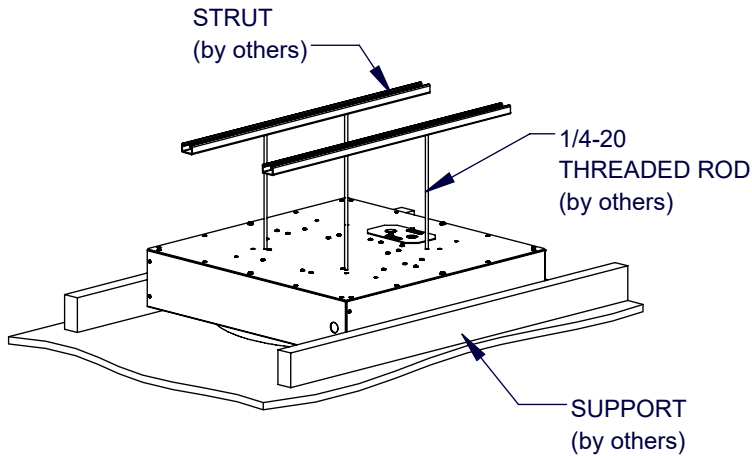
When using electrical equipment, basic safety precautions should always be followed, including the following:

- Read all instructions carefully before installing and save for future use.
- Make sure all connections are in accordance with the National Electrical Code and local regulations.
- To avoid possible electric shock, be sure the power supply is turned off before servicing or installing the fixture.
- Service should be performed by qualified personnel.
- These instructions may not cover all details or variations. If additional information is needed, please contact Visa Lighting.

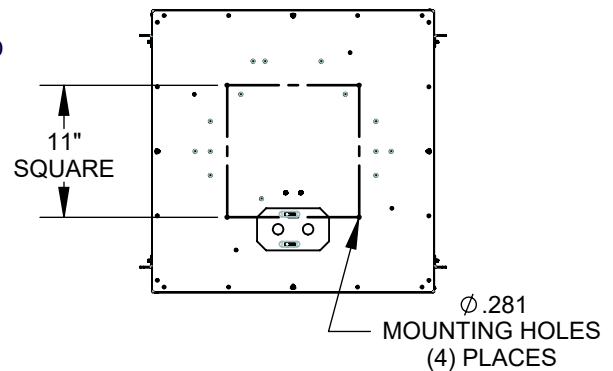
INSTALLATION INSTRUCTIONS

Model: **CM1980-W, CM1982-W,-T**
Fixture Family: **SYMMETRY**
Document Description: Installation Instructions for
2FT Symmetry Series Luminaires

ALTERNATE SHEETROCK INSTALLATION:

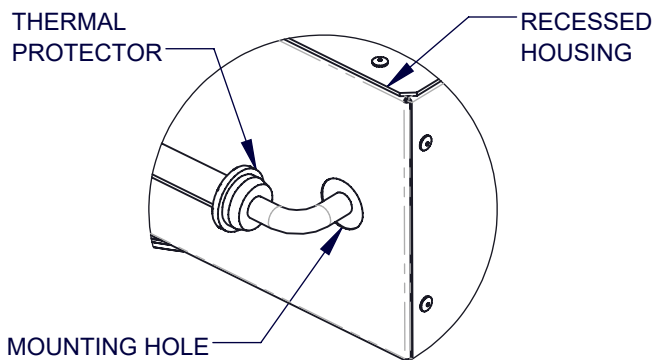


Mounting Hole Layout

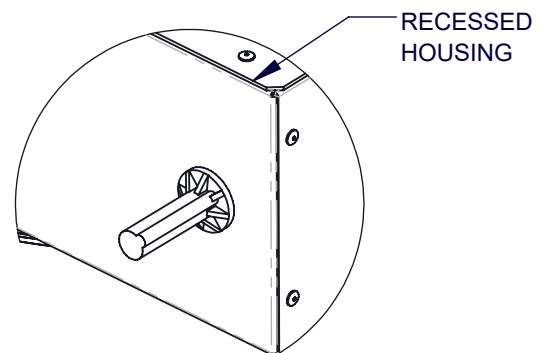


1. Follow instructions on Sheet 4 except for threaded rod support shown above.
2. Adjustment to fixture height is done at the threaded rods from inside the fixture.

THERMAL PROTECTOR INSTALLATION (when supplied):



THERMAL PROTECTOR (AS SHIPPED)



THERMAL PROTECTOR (INSTALLED)

1. The thermal protector is shipped taped to the side of the housing to prevent damage in shipment.
2. After installation into the T-bar grid system, remove the tape and push the thermal protector into the hole in the housing until it snaps in place. **CAUTION:** The thermal protectors must not contact the T-bar grid system.

When using electrical equipment, basic safety precautions should always be followed, including the following:

- Read all instructions carefully before installing and save for future use.
- Make sure all connections are in accordance with the National Electrical Code and local regulations.
- To avoid possible electric shock, be sure the power supply is turned off before servicing or installing the fixture.
- Service should be performed by qualified personnel.
- These instructions may not cover all details or variations. If additional information is needed, please contact Visa Lighting.

INSTALLATION INSTRUCTIONS

Model: **CM1980-W, CM1982-W,-T**
Fixture Family: **SYMMETRY**
Document Description: Installation Instructions for
2FT Symmetry Series Luminaires

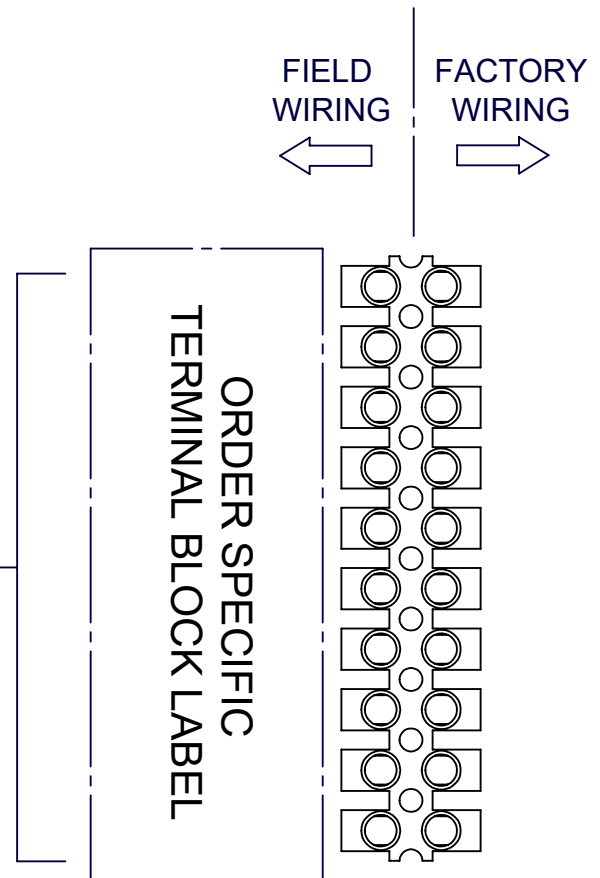
VISA LIGHTING
AN OLDENBURG GROUP COMPANY
1717 West Civic Drive Milwaukee, WI 53209
414-354-6600
Design Modification Rights Reserved
© Visa Lighting

FIXTURE FIELD WIRING:

FOR OVERBED MODEL (CM1980-W):

**BOTH AMBIENT AND EXAM CIRCUITS
MUST BE ENERGIZED TO ACHIEVE
EXAMINATION LUMEN VALUES**

**REFER TO (ORDER-SPECIFIC)
TERMINAL BLOCK LABEL INSIDE
FIXTURE FOR PROPER CIRCUIT
VOLTAGE AND IDENTIFICATION**



**FIXTURE GROUND WIRE IS
PROVIDED ATTACHED TO HOUSING
NEXT TO TERMINAL BLOCK**

Drawing: 762299XX

Rev: C

Sheet: 6 of 6

Eng: AJM

Date Drawn: 3/21/22

- !** When using electrical equipment, basic safety precautions should always be followed, including the following:
- Read all instructions carefully before installing and save for future use.
 - Make sure all connections are in accordance with the National Electrical Code and local regulations.
 - To avoid possible electric shock, be sure the power supply is turned off before servicing or installing the fixture.
 - Service should be performed by qualified personnel.
 - These instructions may not cover all details or variations. If additional information is needed, please contact Visa Lighting.