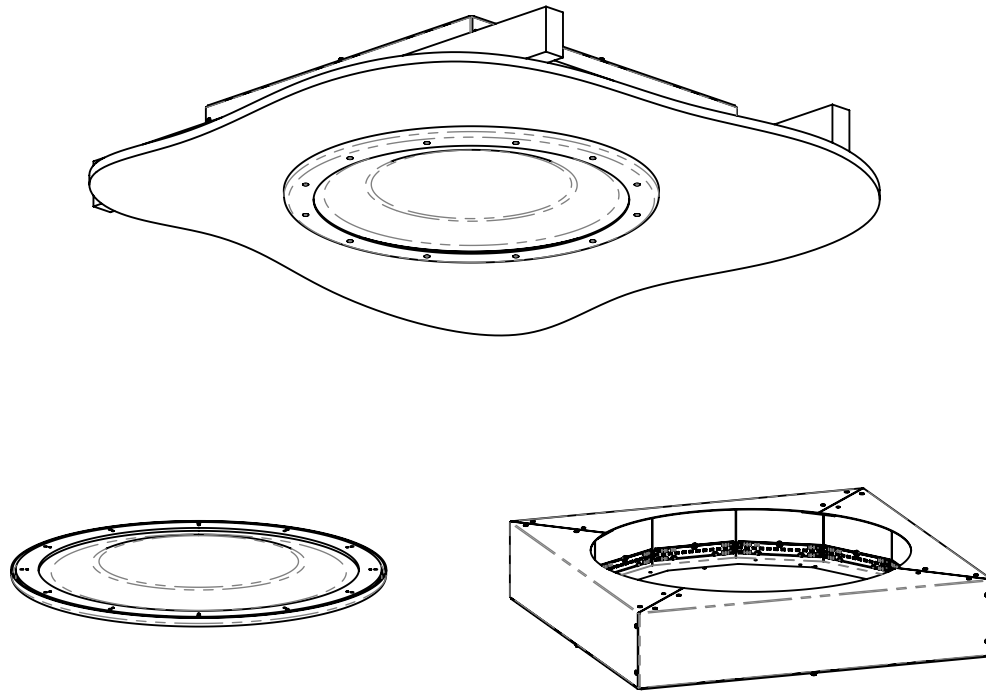


INSTALLATION INSTRUCTIONS

Model: **CM1986-W, CM1988-W, CM1988-T**
Fixture Family: **SYMMETRY BEHAVIORAL HEALTH**
Document Description: Installation Instructions for
SYMMETRY Series Luminaires

VISA LIGHTING
AN OLDENBURG GROUP COMPANY
1717 West Civic Drive Milwaukee, WI 53209
414-354-6600
Design Modification Rights Reserved
© Visa Lighting 2016



SYMMETRY BEHAVIORAL HEALTH

MODELS:

CM1986-W, CM1988-W, CM1988-T

CONTENTS:

PAGE 2: FIXTURE OVERVIEW
PAGE 3: RECESSED DIMENSIONS
PAGE 4: FIXTURE INSTALLATION
PAGE 5: FIXTURE INSTALLATION (cont.)
PAGE 6: FIXTURE FIELD WIRING

Drawing: 762310XX

Rev: E

Sheet: 1 of 6

Eng: AJM

Date Drawn: 3/21/22

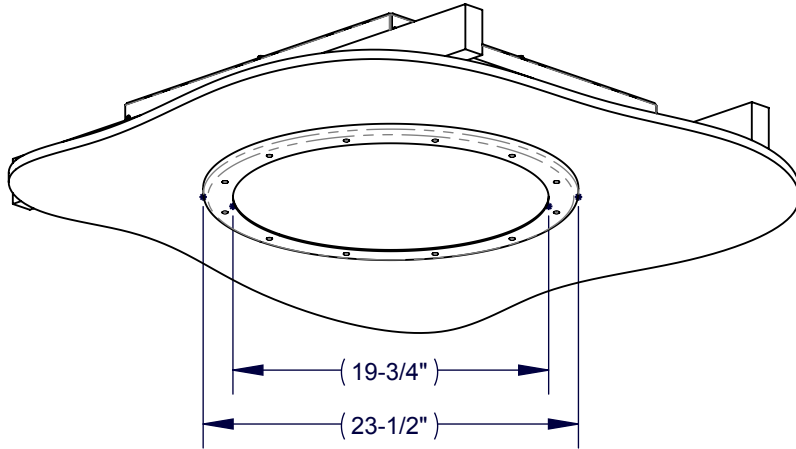
When using electrical equipment, basic safety precautions should always be followed, including the following:

- Read all instructions carefully before installing and save for future use.
- Make sure all connections are in accordance with the National Electrical Code and local regulations.
- To avoid possible electric shock, be sure the power supply is turned off before servicing or installing the fixture.
- Service should be performed by qualified personnel.
- These instructions may not cover all details or variations. If additional information is needed, please contact Visa Lighting.

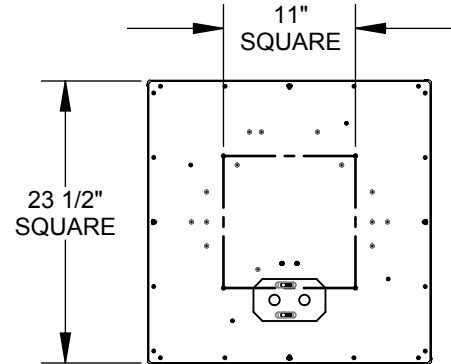
INSTALLATION INSTRUCTIONS

Model: **CM1986-W, CM1988-W, CM1988-T**
 Fixture Family: **SYMMETRY BEHAVIORAL HEALTH**
 Document Description: Installation Instructions for
 SYMMETRY Series Luminaires

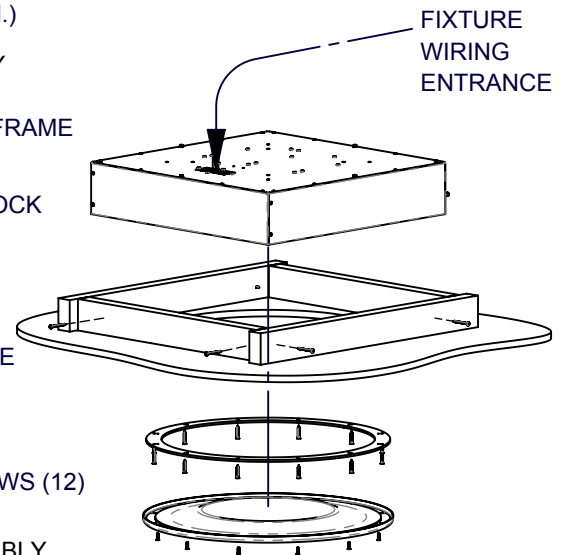
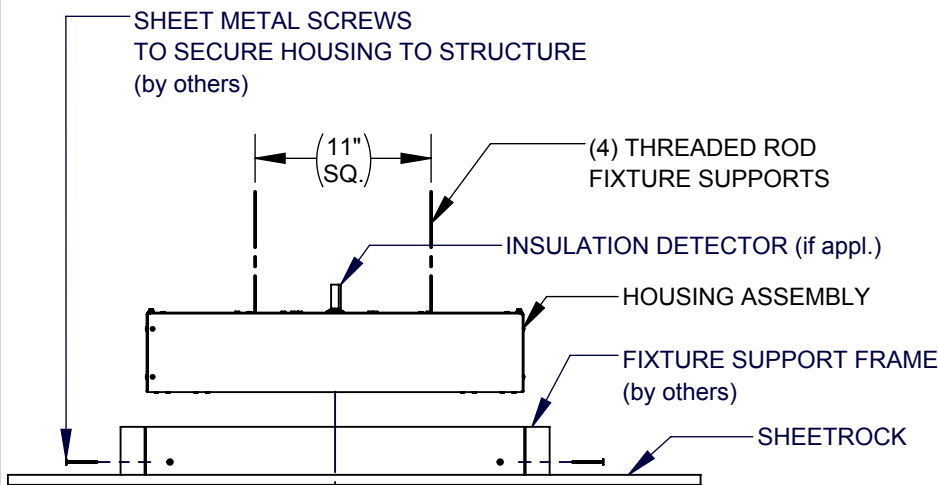
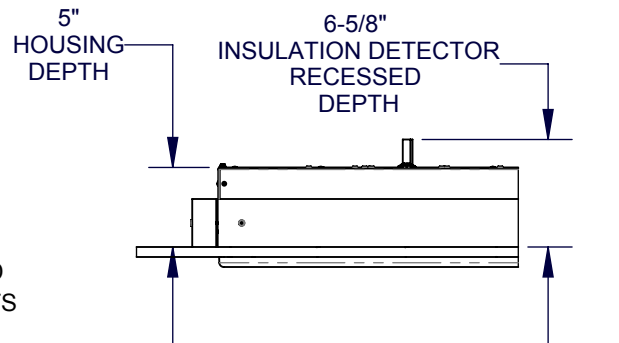
FIXTURE OVERVIEW:



FIXTURE TOP:



FIXTURE SIDE:



When using electrical equipment, basic safety precautions should always be followed, including the following:

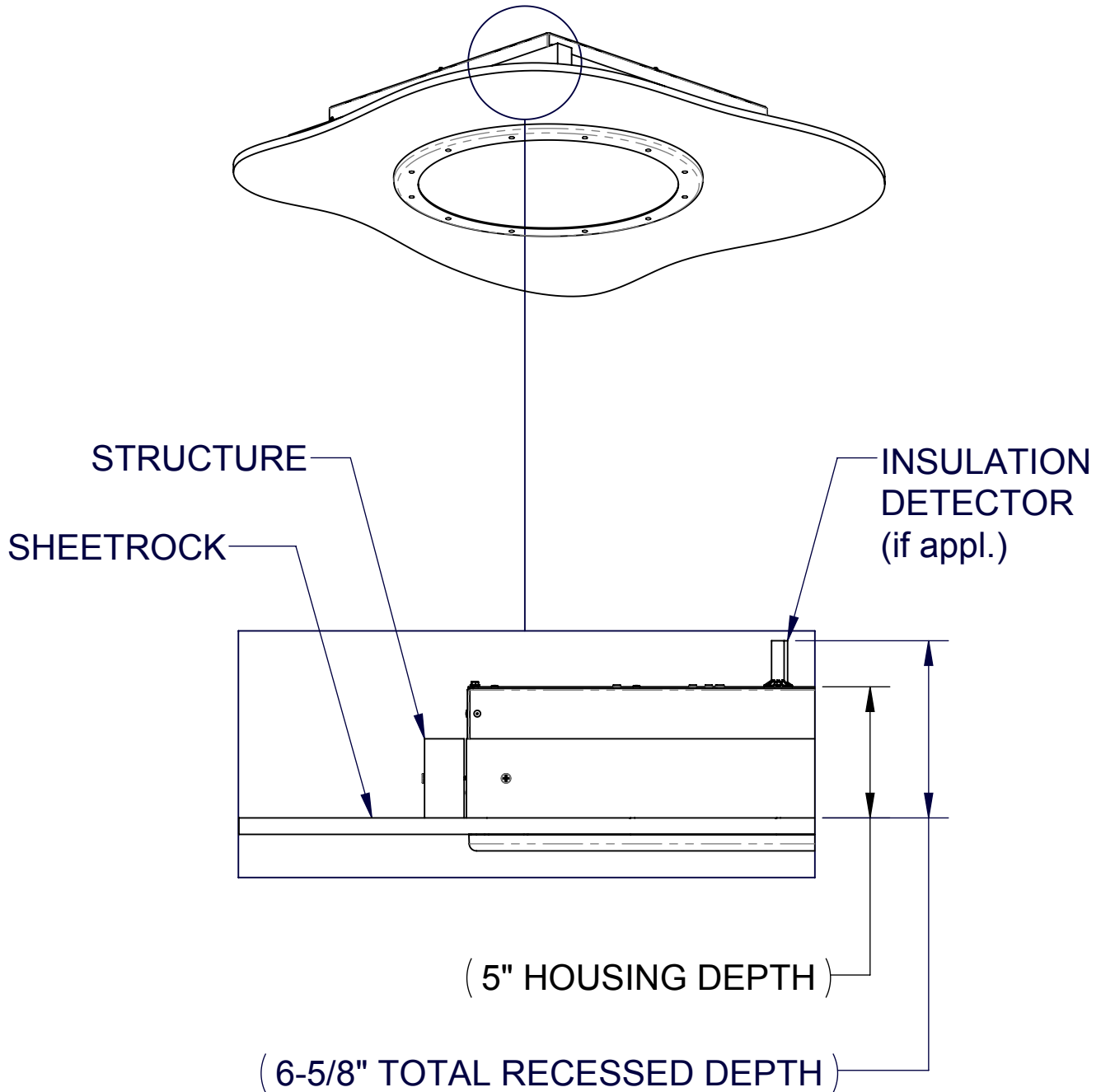
- Read all instructions carefully before installing and save for future use.
- Make sure all connections are in accordance with the National Electrical Code and local regulations.
- To avoid possible electric shock, be sure the power supply is turned off before servicing or installing the fixture.
- Service should be performed by qualified personnel.
- These instructions may not cover all details or variations. If additional information is needed, please contact Visa Lighting.

INSTALLATION INSTRUCTIONS

Model: **CM1986-W, CM1988-W, CM1988-T**
Fixture Family: **SYMMETRY BEHAVIORAL HEALTH**
Document Description: Installation Instructions for
SYMMETRY Series Luminaires

VISA LIGHTING
AN OLDENBURG GROUP COMPANY
1717 West Civic Drive Milwaukee, WI 53209
414-354-6600
Design Modification Rights Reserved
© Visa Lighting

RECESSED DIMENSIONS:



Drawing: 762310XX

Rev: E

Sheet: 3 of 6

Eng: AJM

Date Drawn: 3/21/22

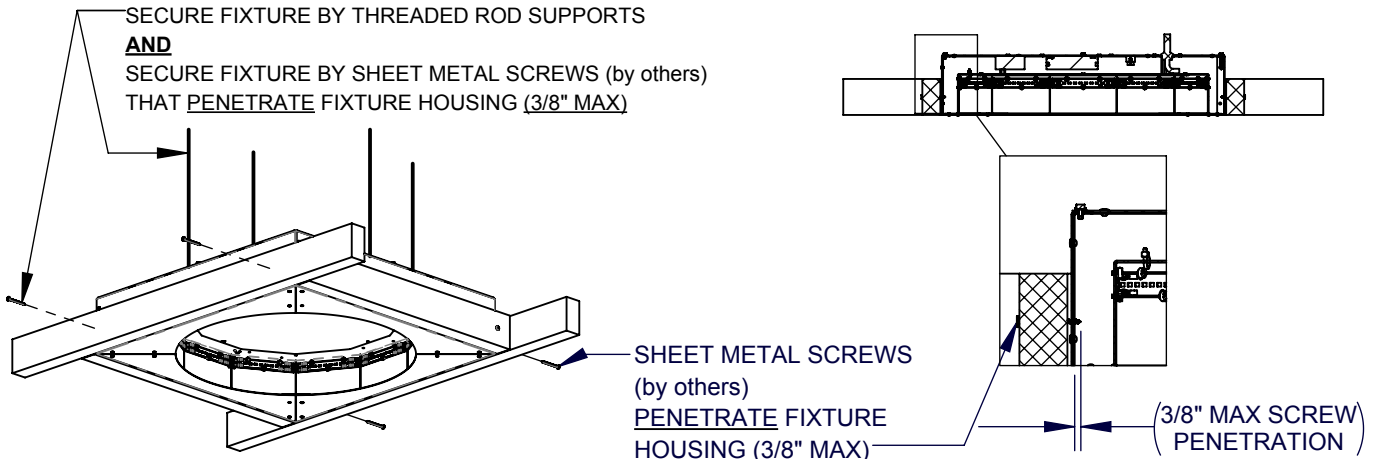
- !** When using electrical equipment, basic safety precautions should always be followed, including the following:
- Read all instructions carefully before installing and save for future use.
 - Make sure all connections are in accordance with the National Electrical Code and local regulations.
 - To avoid possible electric shock, be sure the power supply is turned off before servicing or installing the fixture.
 - Service should be performed by qualified personnel.
 - These instructions may not cover all details or variations. If additional information is needed, please contact Visa Lighting.

INSTALLATION INSTRUCTIONS

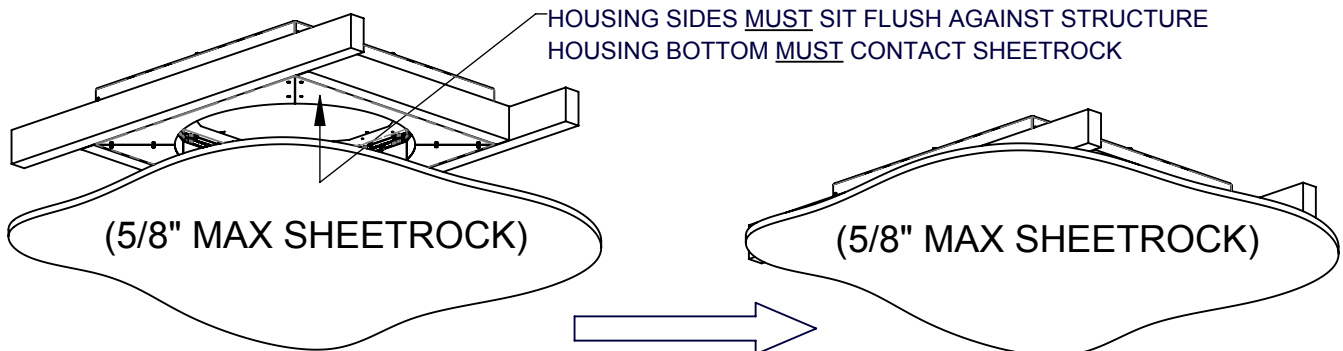
Model: **CM1986-W, CM1988-W, CM1988-T**
Fixture Family: **SYMMETRY BEHAVIORAL HEALTH**
Document Description: Installation Instructions for
SYMMETRY Series Luminaires

VISA LIGHTING
AN OLDENBURG GROUP COMPANY
1717 West Civic Drive Milwaukee, WI 53209
414-354-6600
Design Modification Rights Reserved
© Visa Lighting

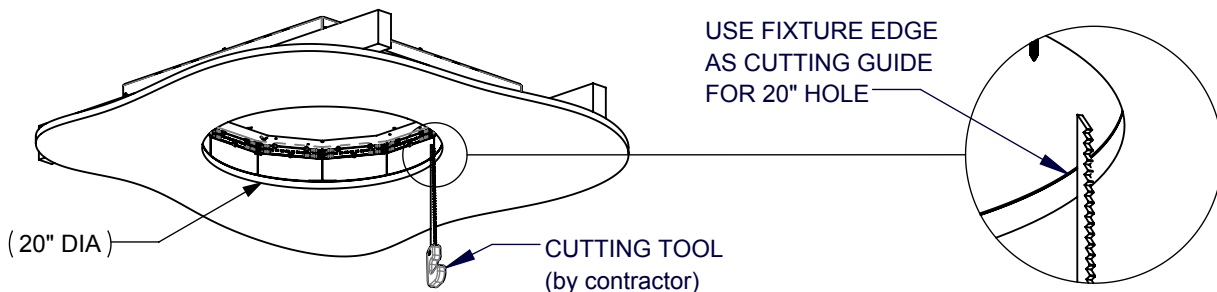
FIXTURE INSTALLATION:



STEP 1: SECURE HOUSING TO STRUCTURE WITH THREADED ROD SUPPORTS AND SCREWS THAT PENETRATE FIXTURE HOUSING SIDES



STEP 2: INSTALL (5/8" MAX) SHEETROCK ONTO FIXTURE



STEP 3: CUT A 20" DIAMETER HOLE INTO SHEET ROCK USING FIXTURE HOUSING AS CUTTING EDGE GUIDE

When using electrical equipment, basic safety precautions should always be followed, including the following:

- Read all instructions carefully before installing and save for future use.
- Make sure all connections are in accordance with the National Electrical Code and local regulations.
- To avoid possible electric shock, be sure the power supply is turned off before servicing or installing the fixture.
- Service should be performed by qualified personnel.
- These instructions may not cover all details or variations. If additional information is needed, please contact Visa Lighting.

Drawing: 762310XX

Rev: E

Sheet: 4 of 6

Eng: AJM

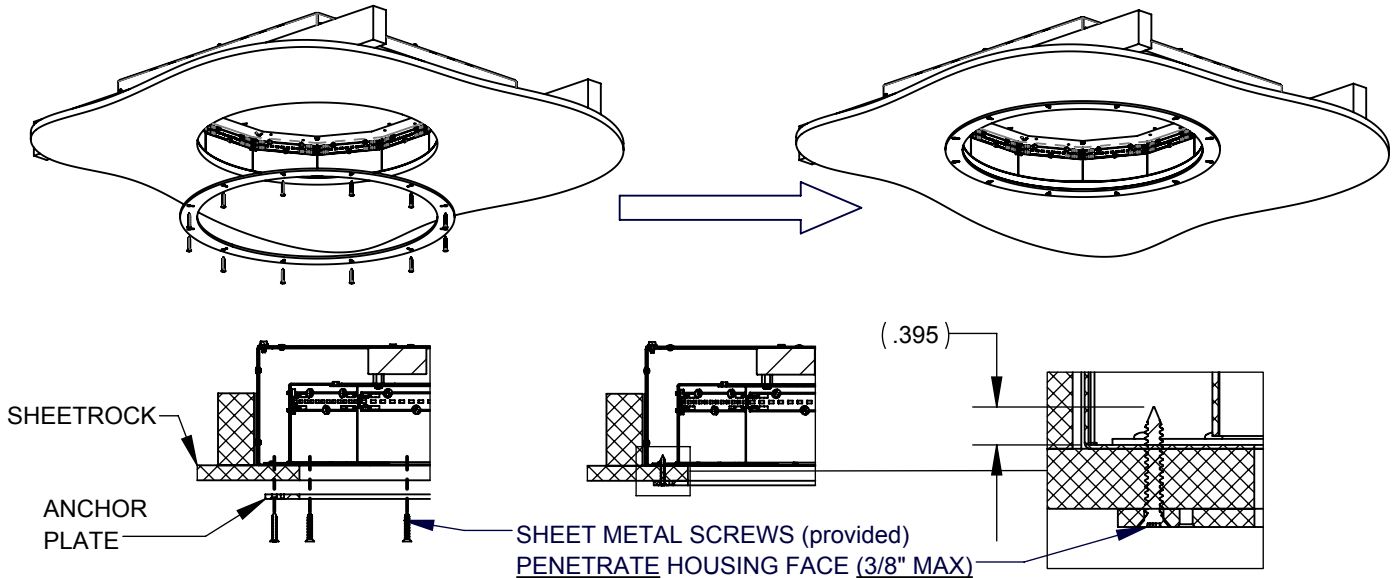
Date Drawn: 3/21/22

INSTALLATION INSTRUCTIONS

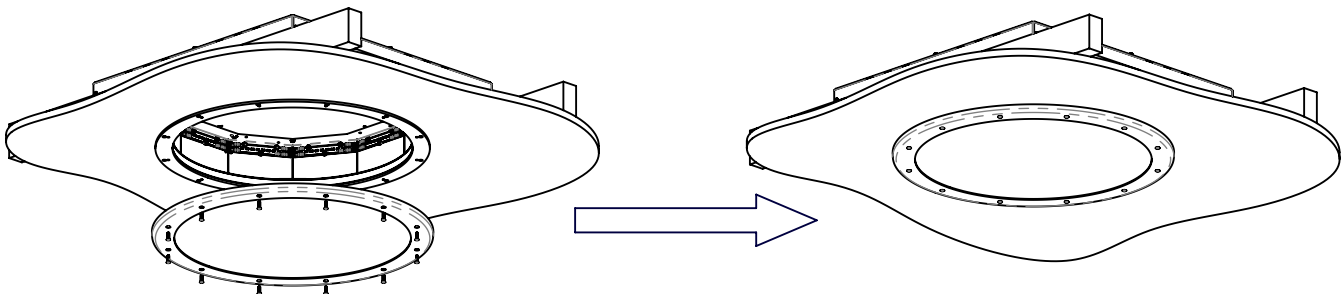
Model: **CM1986-W, CM1988-W, CM1988-T**
Fixture Family: **SYMMETRY BEHAVIORAL HEALTH**
Document Description: Installation Instructions for
SYMMETRY Series Luminaires

VISA LIGHTING
AN OLDENBURG GROUP COMPANY
1717 West Civic Drive Milwaukee, WI 53209
414-354-6600
Design Modification Rights Reserved
© Visa Lighting

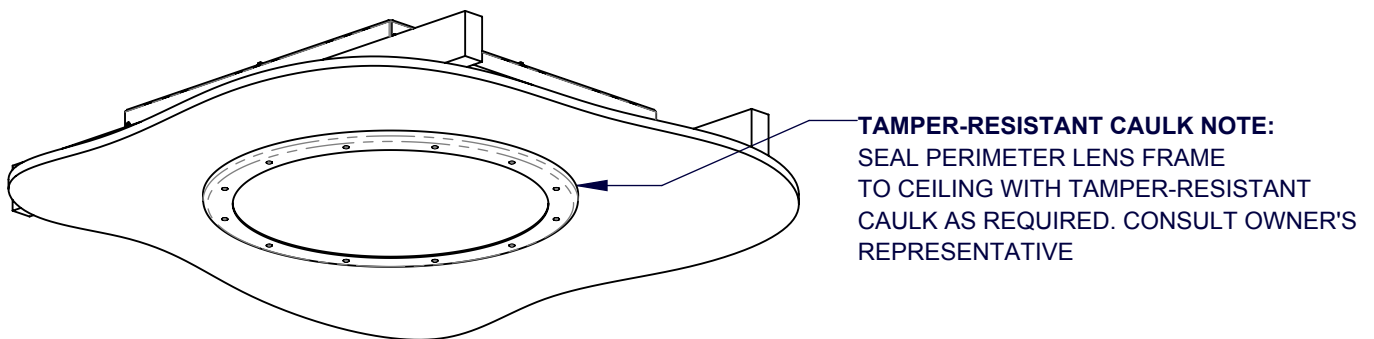
FIXTURE INSTALLATION (cont.)



STEP 4: INSTALL SHEET METAL SCREWS (included) THROUGH ANCHOR PLATE, THROUGH SHEETROCK, AND INTO BOTTOM SIDE OF FIXTURE HOUSING



STEP 5: INSTALL LENS ASSEMBLY ONTO LENS ANCHOR PLATE



STEP 6: SEE TAMPER-RESISTANT CAULK NOTE

When using electrical equipment, basic safety precautions should always be followed, including the following:

- Read all instructions carefully before installing and save for future use.
- Make sure all connections are in accordance with the National Electrical Code and local regulations.
- To avoid possible electric shock, be sure the power supply is turned off before servicing or installing the fixture.
- Service should be performed by qualified personnel.
- These instructions may not cover all details or variations. If additional information is needed, please contact Visa Lighting.

Drawing: 762310XX

Rev: E

Sheet: 5 of 6

Eng: AJM

Date Drawn: 3/21/22

INSTALLATION INSTRUCTIONS

Model: **CM1986-W, CM1988-W, CM1988-T**
Fixture Family: **SYMMETRY BEHAVIORAL HEALTH**
Document Description: Installation Instructions for
SYMMETRY Series Luminaires

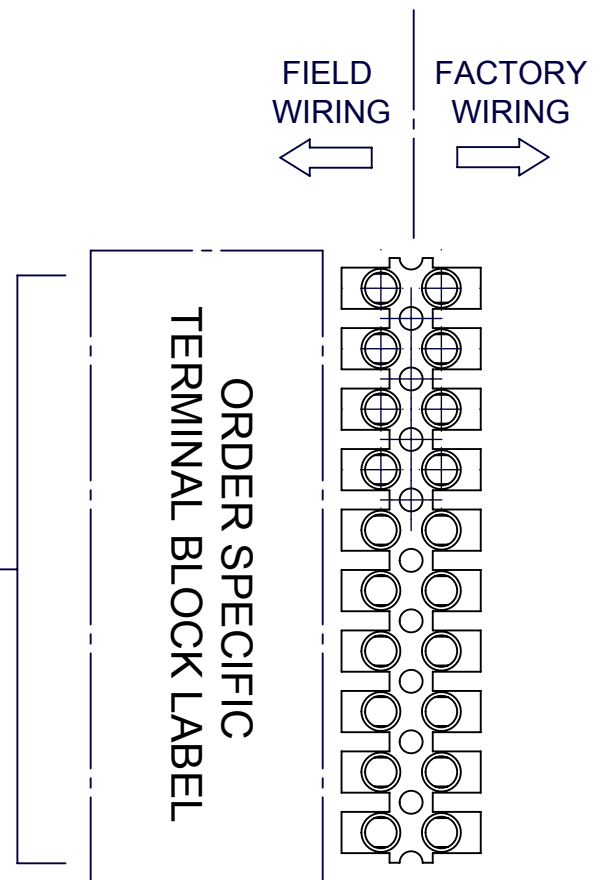
VISA LIGHTING
AN OLDENBURG GROUP COMPANY
1717 West Civic Drive Milwaukee, WI 53209
414-354-6600
Design Modification Rights Reserved
© Visa Lighting

FIXTURE FIELD WIRING:

FOR OVERBED MODEL (CM1986-W):

**BOTH AMBIENT AND EXAM CIRCUITS
MUST BE ENERGIZED TO ACHIEVE
EXAMINATION LUMEN VALUES**

**REFER TO (ORDER-SPECIFIC)
TERMINAL BLOCK LABEL INSIDE
FIXTURE FOR PROPER CIRCUIT
VOLTAGE AND IDENTIFICATION**



**FIXTURE GROUND WIRE IS
PROVIDED ATTACHED TO HOUSING
NEXT TO TERMINAL BLOCK**

Drawing: 762310XX

Rev: E

Sheet: 6 of 6

Eng: AJM

Date Drawn: 3/21/22

- !** When using electrical equipment, basic safety precautions should always be followed, including the following:
- Read all instructions carefully before installing and save for future use.
 - Make sure all connections are in accordance with the National Electrical Code and local regulations.
 - To avoid possible electric shock, be sure the power supply is turned off before servicing or installing the fixture.
 - Service should be performed by qualified personnel.
 - These instructions may not cover all details or variations. If additional information is needed, please contact Visa Lighting.