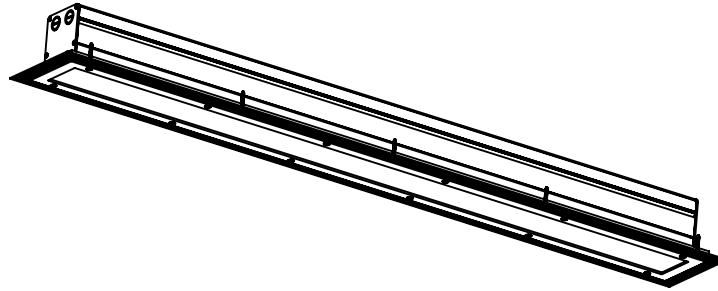


INSTALLATION INSTRUCTIONS

Model: **CM1880 / CV1680**
Fixture Family: **VISAGE BEHAVIORAL HEALTH**
Document Description: Installation Instructions for
VISAGE Series Luminaires

 **VISA LIGHTING**
AN OLDENBURG GROUP COMPANY
1717 West Civic Drive Milwaukee, WI 53209
414-354-6600
Design Modification Rights Reserved
© Visa Lighting 2019



VISAGE - OVERBED BEHAVIORAL HEALTH CM1880 / CV1680

PAGE 2 - DRYWALL CUTOUT AND BLOCKING

PAGE 3 - MUD FLANGE INSTALLATION

PAGE 4 - LED PLATE REMOVAL/INSTALLATION

PAGE 5 - HOUSING INSTALLATION

PAGE 6 - LENS FRAME INSTALLATION

Drawing: 762324XX

Rev: A

Sheet: 1 of 6

Eng: MJH

Date Drawn: 11/11/19

! When using electrical equipment, basic safety precautions should always be followed, including the following:

- Read all instructions carefully before installing and save for future use.
- Make sure all connections are in accordance with the National Electrical Code and local regulations.
- To avoid possible electric shock, be sure the power supply is turned off before servicing or installing the fixture.
- Service should be performed by qualified personnel.
- These instructions may not cover all details or variations. If additional information is needed, please contact Visa Lighting.

INSTALLATION INSTRUCTIONS

Model: **CM1880 / CV1680**
Fixture Family: **VISAGE BEHAVIORAL HEALTH**
Document Description: Installation Instructions for
VISAGE Series Luminaires

IMPORTANT INSTALLATION NOTICE:

- * BEHAVIORAL HEALTH INSTALLATIONS OFTEN REQUIRE FACILITY APPROVAL AND INVOLVEMENT. PLEASE CHECK WITH OWNERSHIP TO ENSURE A PROPER INSTALLATION BEFORE PROCEEDING.
- * Proper installation must incorporate structural blocking per guidelines below, which provides the necessary strength against unintended impact forces.

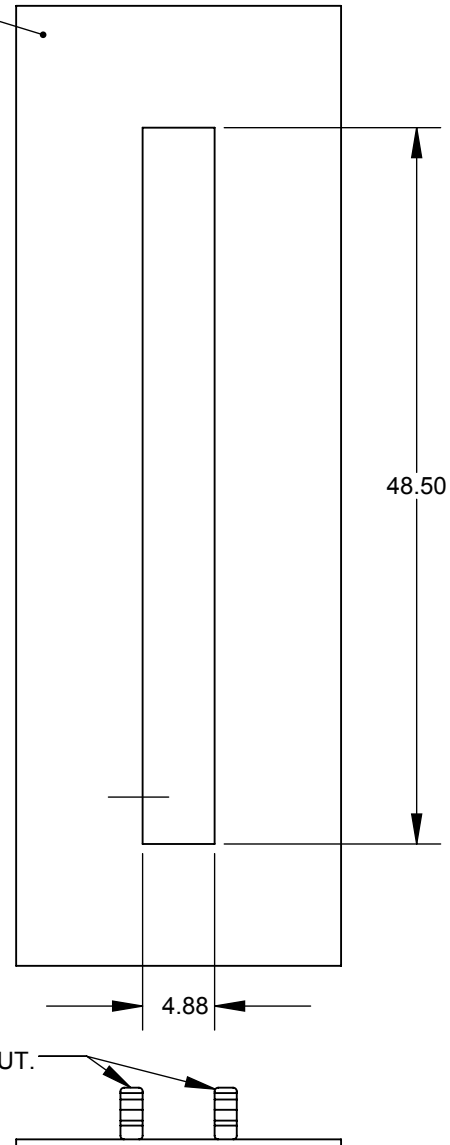
CAUTIONS:

Before affixing the drywall, loose-fit the mud flange (see pg 3) to make sure its fastener locations are clear of any interference and double check that the fixture body will clear any obstructions behind the mounting surface.

Likewise, plan drywall screw locations that will not interfere with the mud flange fasteners.

The Mud-flange forms a barrier to fluids (IP64) when installed correctly. Make sure there are no gaps in drywall mud up to the flange lip. (See page 3 Detail AG-AG)

DRYWALL MATERIAL
(By Others)



STRUCTURAL BLOCKING
ON BOTH SIDES OF EACH CUTOUT.

MOUNTING SURFACE SECTION

Drawing: 762324XX

Rev: A

Sheet: 2 of 6

Eng: MJH

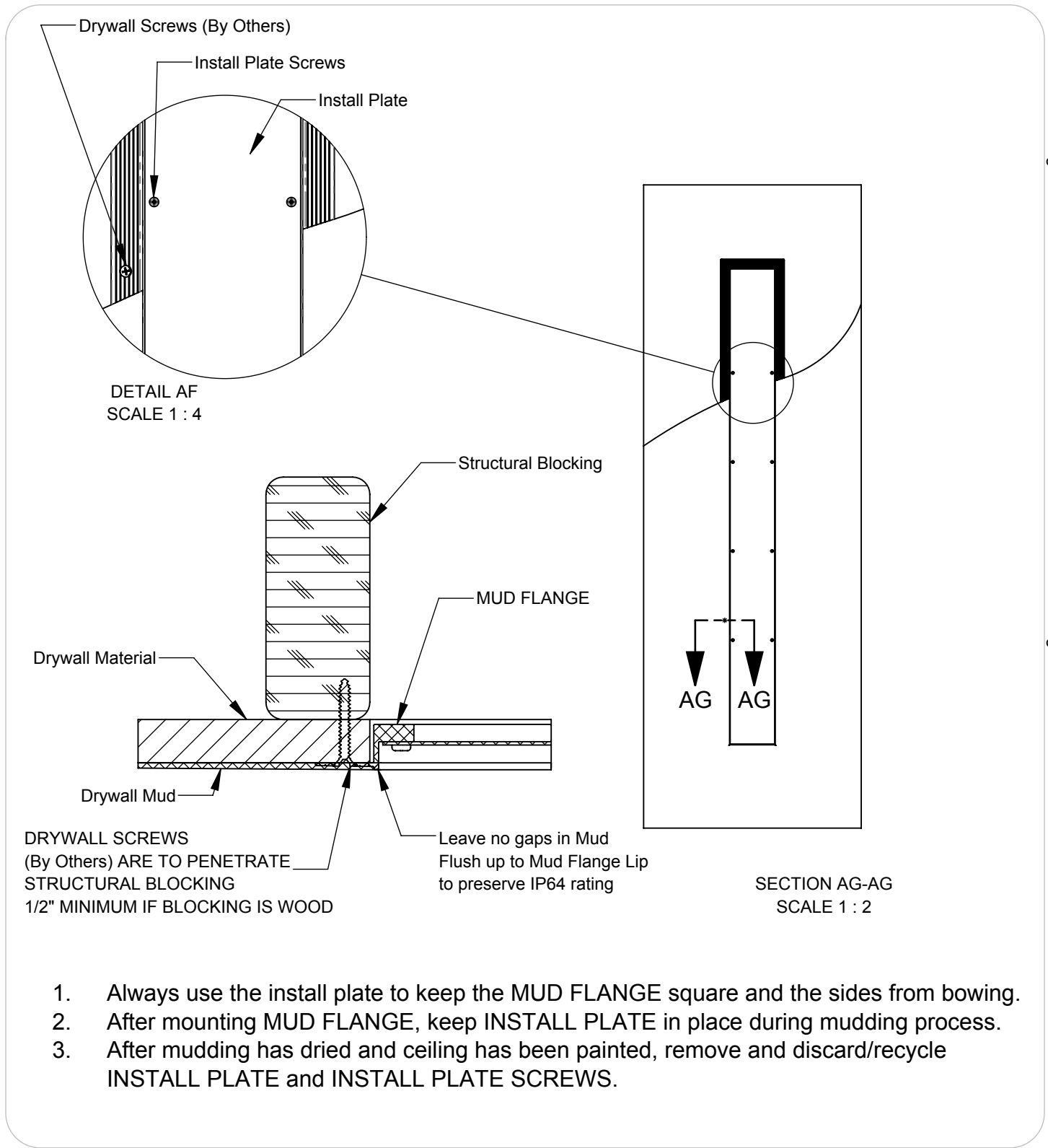
Date Drawn: 11/11/19

When using electrical equipment, basic safety precautions should always be followed, including the following:

- Read all instructions carefully before installing and save for future use.
- Make sure all connections are in accordance with the National Electrical Code and local regulations.
- To avoid possible electric shock, be sure the power supply is turned off before servicing or installing the fixture.
- Service should be performed by qualified personnel.
- These instructions may not cover all details or variations. If additional information is needed, please contact Visa Lighting.

INSTALLATION INSTRUCTIONS

Model: **CM1880 / CV1680**
 Fixture Family: **VISAGE BEHAVIORAL HEALTH**
 Document Description: Installation Instructions for
 VISAGE Series Luminaires



Drawing: 762324XX Rev: A Sheet: 3 of 6 Eng: MJH Date Drawn: 11/11/19

1. Always use the install plate to keep the MUD FLANGE square and the sides from bowing.
2. After mounting MUD FLANGE, keep INSTALL PLATE in place during mudding process.
3. After mudding has dried and ceiling has been painted, remove and discard/recycle INSTALL PLATE and INSTALL PLATE SCREWS.

! When using electrical equipment, basic safety precautions should always be followed, including the following:

- Read all instructions carefully before installing and save for future use.
- Make sure all connections are in accordance with the National Electrical Code and local regulations.
- To avoid possible electric shock, be sure the power supply is turned off before servicing or installing the fixture.
- Service should be performed by qualified personnel.
- These instructions may not cover all details or variations. If additional information is needed, please contact Visa Lighting.

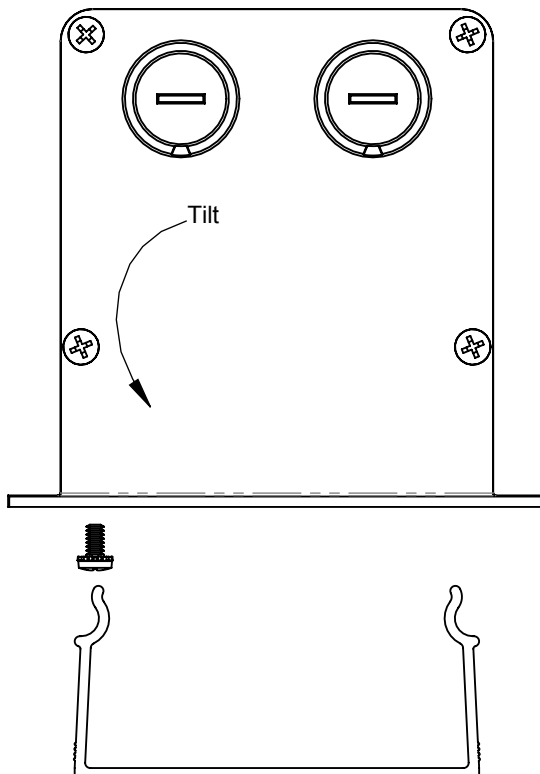
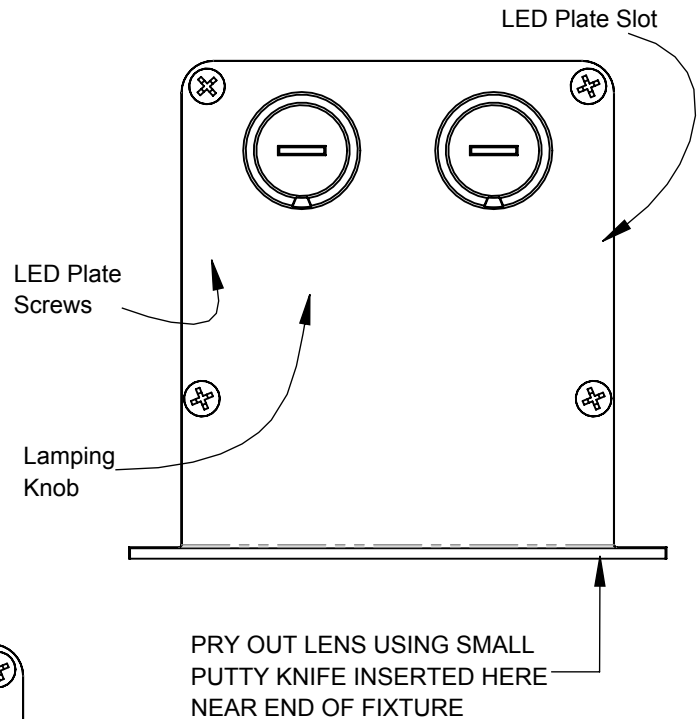
INSTALLATION INSTRUCTIONS

Model: **CM1880 / CV1680**
Fixture Family: **VISAGE BEHAVIORAL HEALTH**
Document Description: Installation Instructions for
VISAGE Series Luminaires

VISA LIGHTING
AN OLDENBURG GROUP COMPANY
1717 West Civic Drive Milwaukee, WI 53209
414-354-6600
Design Modification Rights Reserved
© Visa Lighting

LED PLATE REMOVAL/INSTALLATION

1. Before installing the housing, remove lens with a small putty knife.
2. The LED Plate rests in a slot that is fastened by screws in a screw slot on the other side.
3. The LED Plate has knobs to use for gripping. Do not touch the LEDs.
4. Remove lamping screws and tilt lamping out of the lamping slot.
5. Reverse the process to reinstall.



Drawing: 762324XX

Rev: A

Sheet: 4 of 6

Eng: MJH

Date Drawn: 11/1/19

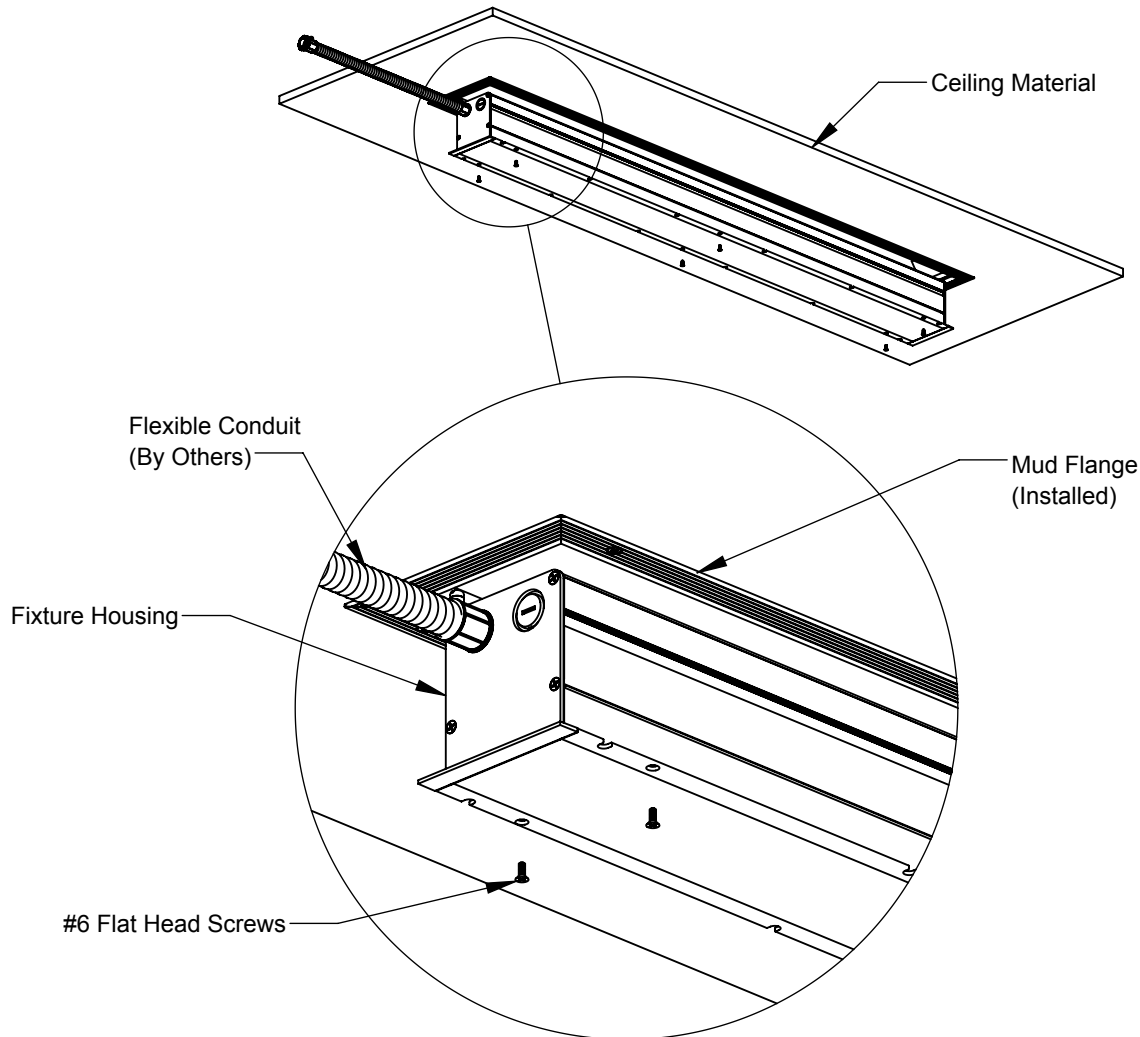
When using electrical equipment, basic safety precautions should always be followed, including the following:

- Read all instructions carefully before installing and save for future use.
- Make sure all connections are in accordance with the National Electrical Code and local regulations.
- To avoid possible electric shock, be sure the power supply is turned off before servicing or installing the fixture.
- Service should be performed by qualified personnel.
- These instructions may not cover all details or variations. If additional information is needed, please contact Visa Lighting.

INSTALLATION INSTRUCTIONS

Model: **CM1880 / CV1680**
Fixture Family: **VISAGE BEHAVIORAL HEALTH**
Document Description: Installation Instructions for
VISAGE Series Luminaires

VISA LIGHTING
AN OLDENBURG GROUP COMPANY
1717 West Civic Drive Milwaukee, WI 53209
414-354-6600
Design Modification Rights Reserved
© Visa Lighting



DETAIL A1
SCALE 1 : 4

1. Install Flexible Conduit and make electrical connections.
2. Install LAMP HOUSING into mud flange using #6 flat head screws provided.

Drawing: 762324XX

Rev: A

Sheet: 5 of 6

Eng: MJH

Date Drawn: 11/1/19

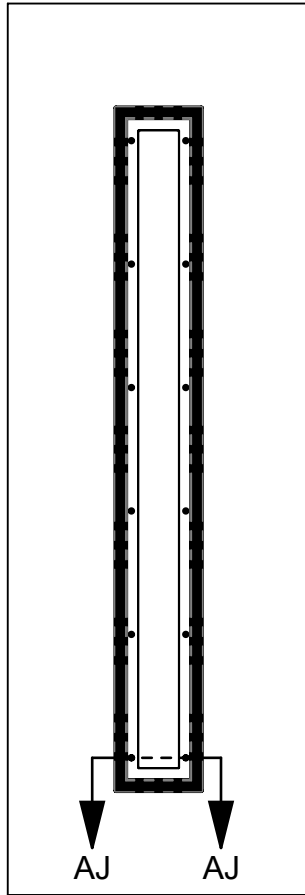
! When using electrical equipment, basic safety precautions should always be followed, including the following:

- Read all instructions carefully before installing and save for future use.
- Make sure all connections are in accordance with the National Electrical Code and local regulations.
- To avoid possible electric shock, be sure the power supply is turned off before servicing or installing the fixture.
- Service should be performed by qualified personnel.
- These instructions may not cover all details or variations. If additional information is needed, please contact Visa Lighting.

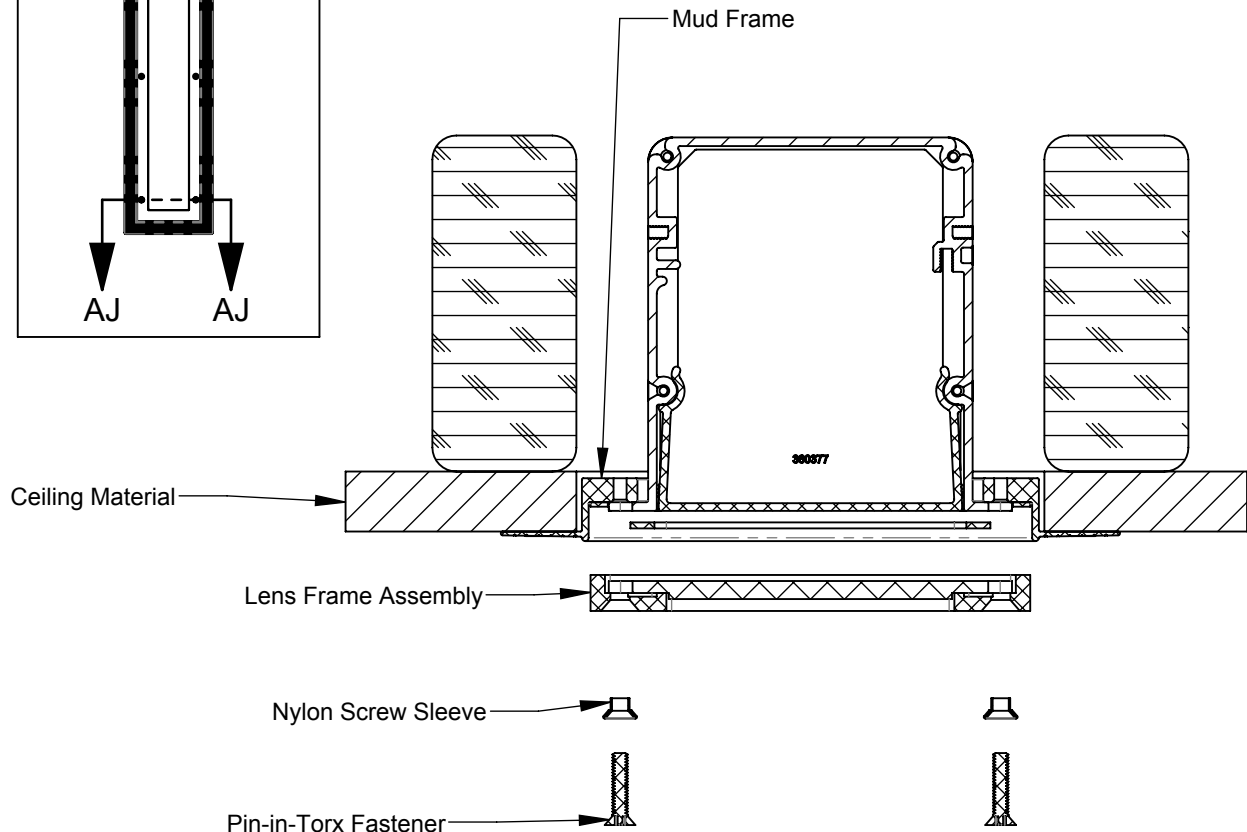
INSTALLATION INSTRUCTIONS

Model: **CM1880 / CV1680**
Fixture Family: **VISAGE BEHAVIORAL HEALTH**
Document Description: Installation Instructions for
VISAGE Series Luminaires

VISA LIGHTING
AN OLDENBURG GROUP COMPANY
1717 West Civic Drive Milwaukee, WI 53209
414-354-6600
Design Modification Rights Reserved
© Visa Lighting



1. Install LENS FRAME using #8 tamper resistant TORX SCREWS and plastic SCREW SLEEVES.
Note: These Screw Sleeves are required and form part of the liquid barrier when installed as intended
2. The head of the TORX SCREW should be flush with the LENS FRAME to achieve proper ligature resistance.



SECTION AJ-AJ
SCALE 1 : 2

Drawing: 762324XX

Rev: A

Sheet: 6 of 6

Eng: MJH

Date Drawn: 11/11/19

- !** When using electrical equipment, basic safety precautions should always be followed, including the following:
- Read all instructions carefully before installing and save for future use.
 - Make sure all connections are in accordance with the National Electrical Code and local regulations.
 - To avoid possible electric shock, be sure the power supply is turned off before servicing or installing the fixture
 - Service should be performed by qualified personnel.
 - These instructions may not cover all details or variations. If additional information is needed, please contact Visa Lighting.