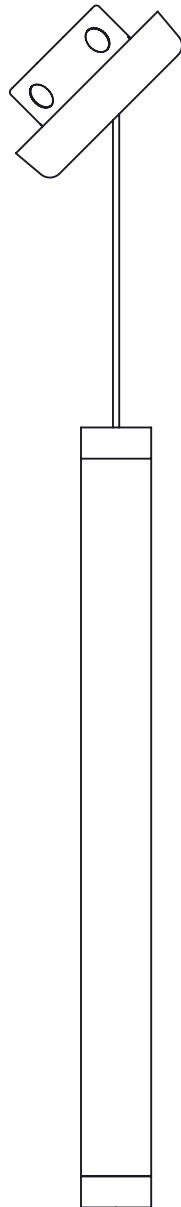


INSTALLATION INSTRUCTIONS

Model: **CP6000**
Fixture Family: **Sequence Mini**
Document Description: Installation Instructions for
LED Series Luminaires

VISA LIGHTING
AN OLDENBURG GROUP COMPANY
1717 West Civic Drive Milwaukee, WI 53209
414-354-6600
Design Modification Rights Reserved
© Visa Lighting 2016

SEQUENCE MINI 24" LENGTH SHOWN BELOW



Downlight option + SDC Option

Power cord has 4 conductors:

RED = BODY LED (+)

BLUE = BODY LED (-)

RED/WHITE = DOWNLIGHT LED (+)

BLUE/WHITE = DOWNLIGHT LED (-)

IF: no downlight,

THEN: cap off the blue/white and red/white wires.

Drawing: 762333XX

Rev: D

Sheet: 1 of 3

Eng: AJM

Date Drawn: 11/18/20

When using electrical equipment, basic safety precautions should always be followed, including the following:

- Read all instructions carefully before installing and save for future use.
- Make sure all connections are in accordance with the National Electrical Code and local regulations.
- To avoid possible electric shock, be sure the power supply is turned off before servicing or installing the fixture.
- Service should be performed by qualified personnel.
- These instructions may not cover all details or variations. If additional information is needed, please contact Visa Lighting.

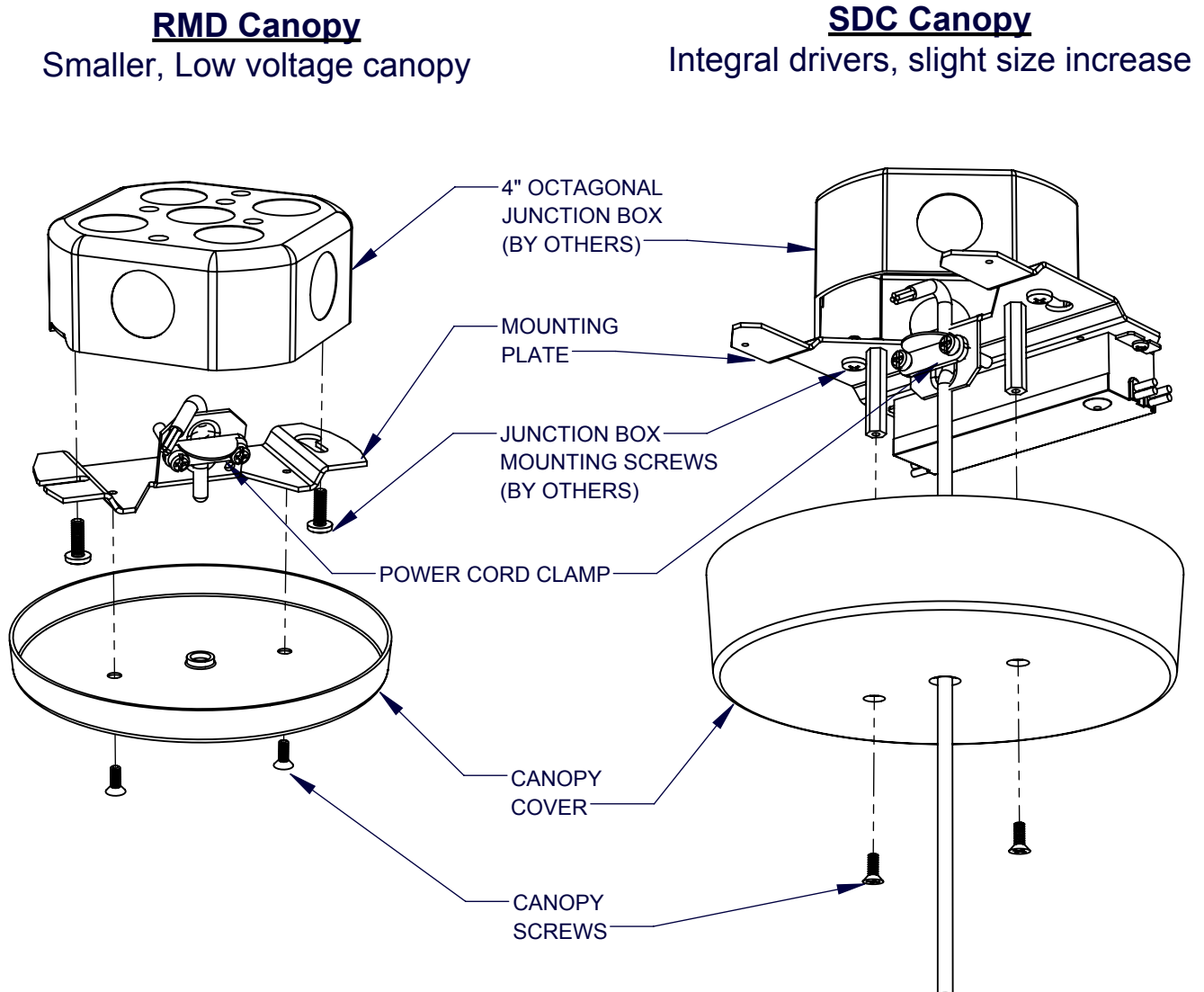
INSTALLATION INSTRUCTIONS

Model: **CP6000**
Fixture Family: **Sequence Mini**
Document Description: Installation Instructions for
LED Series Luminaires

VISA LIGHTING
AN OLDENBURG GROUP COMPANY
1717 West Civic Drive Milwaukee, WI 53209
414-354-6600
Design Modification Rights Reserved
© Visa Lighting

Fixture canopy mounting:

1. Make all wire connections per local and national codes.
2. Fasten mounting plate to junction box with the junction box mounting screws (by others).
3. Lift Canopy in place and secure with canopy screws.



Drawing: 762333XX

Rev: D

Sheet: 2 of 3

Eng: AJM

Date Drawn: 11/18/20

When using electrical equipment, basic safety precautions should always be followed, including the following:

- Read all instructions carefully before installing and save for future use.
- Make sure all connections are in accordance with the National Electrical Code and local regulations.
- To avoid possible electric shock, be sure the power supply is turned off before servicing or installing the fixture.
- Service should be performed by qualified personnel.
- These instructions may not cover all details or variations. If additional information is needed, please contact Visa Lighting.

INSTALLATION INSTRUCTIONS

Model: **CP6000**
Fixture Family: **Sequence Mini**
Document Description: Installation Instructions for
LED Series Luminaires

VISA LIGHTING
AN OLDENBURG GROUP COMPANY
1717 West Civic Drive Milwaukee, WI 53209
414-354-6600
Design Modification Rights Reserved
© Visa Lighting

Drawing: 762333XX

Rev: D

Sheet: 3 of 3

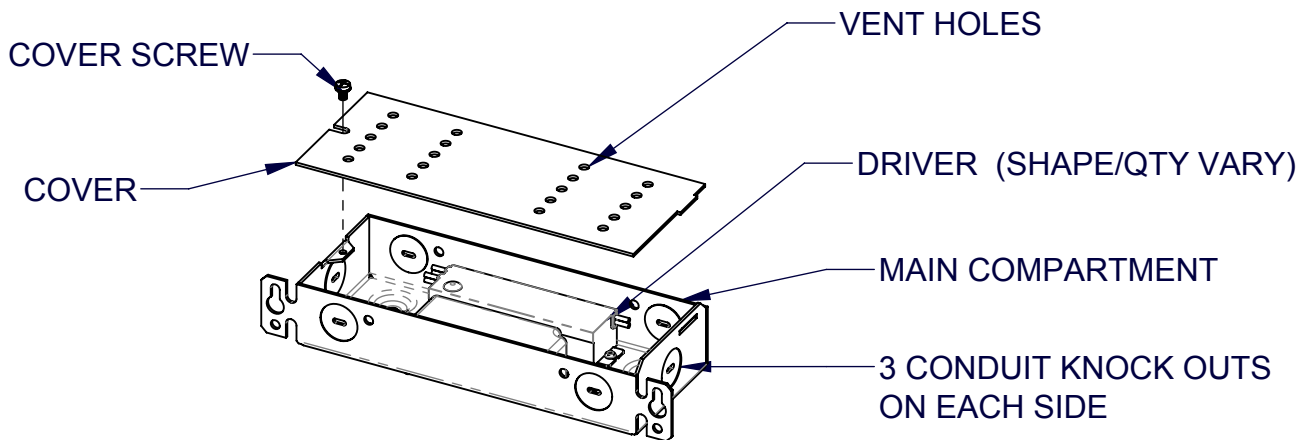
Eng: AJM

Date Drawn: 11/18/20

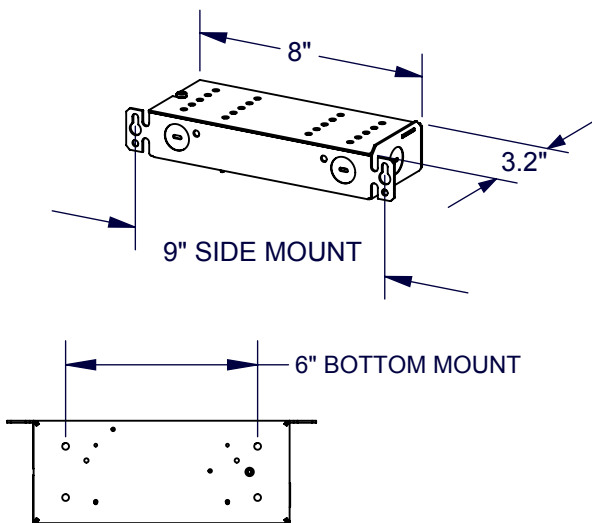
RMD Option, Remote Mounted Driver Box:

Components may vary depending on options ordered.

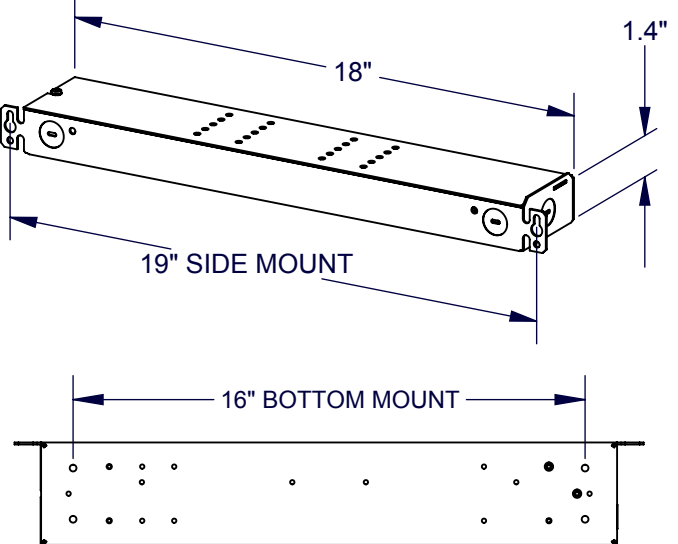
1. Remove cover by removing the cover screw.
2. Mount remote box in an accessible area per local and national codes, use fasteners appropriate for the mounting surface (not included).
3. Make all wire connections per local and national codes.



8" BOX DIMENSIONS



18" BOX DIMENSIONS



When using electrical equipment, basic safety precautions should always be followed, including the following:

- Read all instructions carefully before installing and save for future use.
- Make sure all connections are in accordance with the National Electrical Code and local regulations.
- To avoid possible electric shock, be sure the power supply is turned off before servicing or installing the fixture.
- Service should be performed by qualified personnel.
- These instructions may not cover all details or variations. If additional information is needed, please contact Visa Lighting.