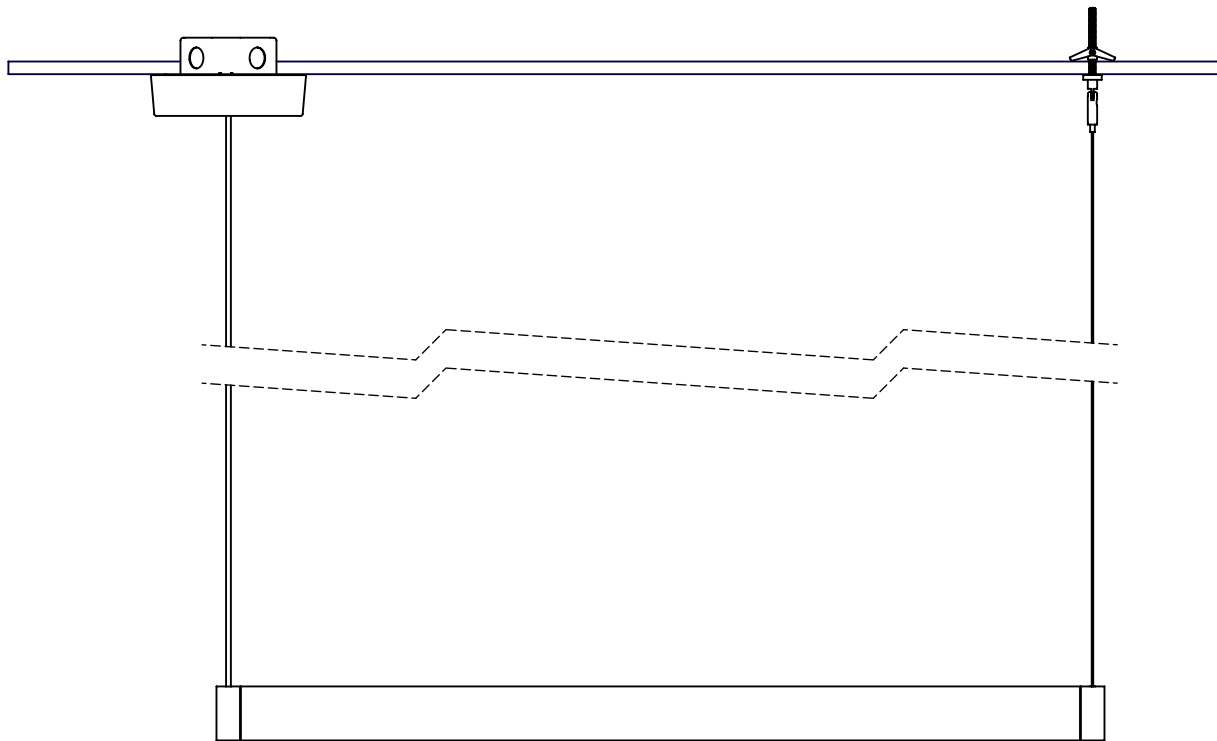


# INSTALLATION INSTRUCTIONS

Model: **CP6002**  
Fixture Family: **Sequence**  
Document Description: Installation Instructions for  
LED Series Luminaires

**VISA LIGHTING**  
AN OLDENBURG GROUP COMPANY  
1717 West Civic Drive Milwaukee, WI 53209  
414-354-6600  
Design Modification Rights Reserved  
© Visa Lighting 2016

## SEQUENCE MINI HORIZONTAL 36" LENGTH SHOWN BELOW



### Power cord has 4 conductors:

RED = BODY LED (+)  
BLUE = BODY LED (-)  
BLUE/WHITE = CAP OFF, NOT USED  
RED/WHITE = CAP OFF, NOT USED

Drawing: 762336XX

Rev: D

Sheet: 1 of 4

Eng: AJM

Date Drawn: 11/18/20

When using electrical equipment, basic safety precautions should always be followed, including the following:

- Read all instructions carefully before installing and save for future use.
- Make sure all connections are in accordance with the National Electrical Code and local regulations.
- To avoid possible electric shock, be sure the power supply is turned off before servicing or installing the fixture.
- Service should be performed by qualified personnel.
- These instructions may not cover all details or variations. If additional information is needed, please contact Visa Lighting.

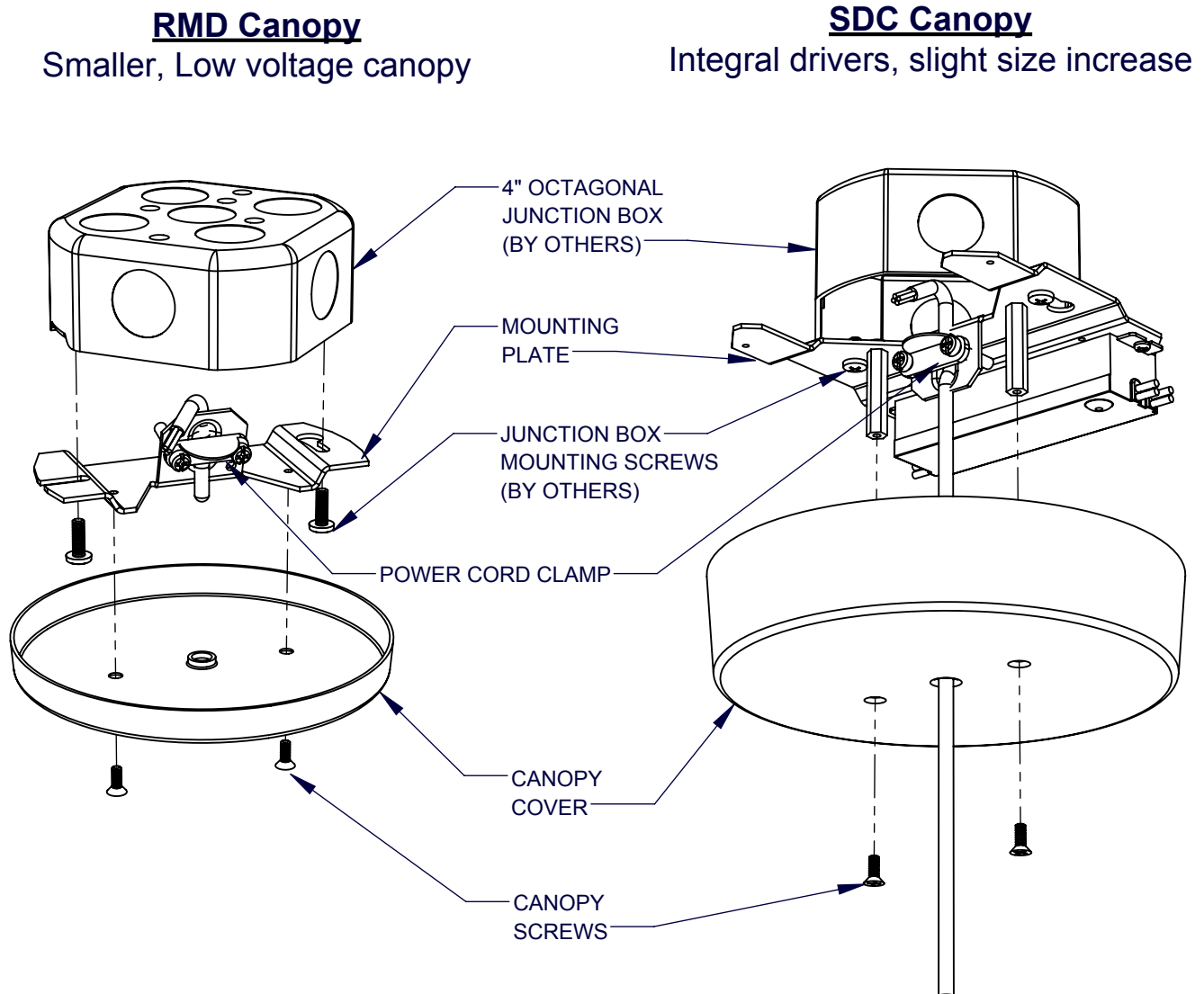
# INSTALLATION INSTRUCTIONS

Model: **CP6002**  
Fixture Family: **Sequence**  
Document Description: Installation Instructions for  
LED Series Luminaires

**VISA LIGHTING**  
AN OLDENBURG GROUP COMPANY  
1717 West Civic Drive Milwaukee, WI 53209  
414-354-6600  
Design Modification Rights Reserved  
© Visa Lighting

## Fixture canopy mounting:

1. Make all wire connections per local and national codes.
2. Fasten mounting plate to junction box with the junction box mounting screws (by others).
3. Lift Canopy in place and secure with canopy screws.



Drawing: 762336XX

Rev: D

Sheet: 2 of 4

Eng: AJM

Date Drawn: 11/18/20

When using electrical equipment, basic safety precautions should always be followed, including the following:

- Read all instructions carefully before installing and save for future use.
- Make sure all connections are in accordance with the National Electrical Code and local regulations.
- To avoid possible electric shock, be sure the power supply is turned off before servicing or installing the fixture.
- Service should be performed by qualified personnel.
- These instructions may not cover all details or variations. If additional information is needed, please contact Visa Lighting.

# INSTALLATION INSTRUCTIONS

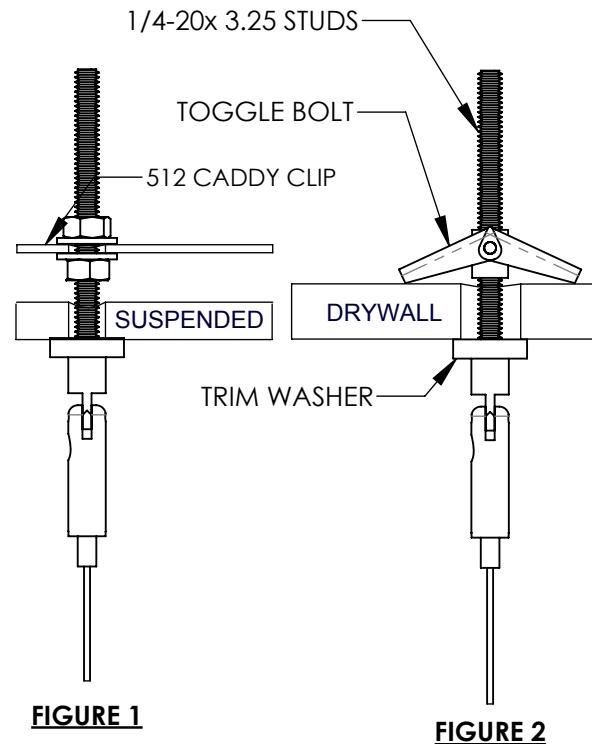
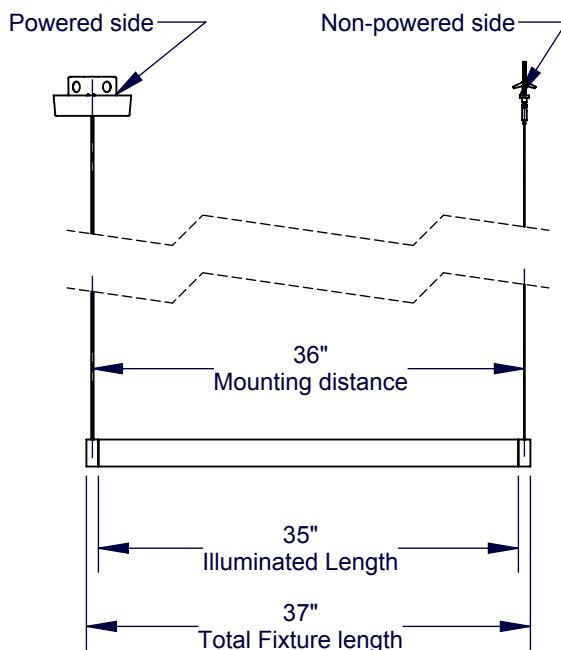
Model: **CP6002**  
Fixture Family: **Sequence**  
Document Description: Installation Instructions for  
LED Series Luminaires

**VISA LIGHTING**  
AN OLDENBURG GROUP COMPANY  
1717 West Civic Drive Milwaukee, WI 53209  
414-354-6600  
Design Modification Rights Reserved  
© Visa Lighting

## NON-POWER SIDE INSTALLATION

1. The mounting distance between the powered side and the non-powered side will vary based on the length ordered.
  - Example: CP6002-12 will have a 12" mounting distance. CP6002-60 a 60" mounting distance.
2. Suspended ceilings: Install 512 HD Caddy Clip (by others), install mounting kit as shown in figure 1.  
Drywall ceilings: install mounting kit as shown in figure 2.
3. Keep trimwasher to the ceiling side.
4. The fixture will arrive with the cable preinstalled. Lift up the fixture and insert cable into Griplock.
5. Level or angle the fixture as desired and trim off the excess cable near the ceiling.

### EXAMPLE: CP6002-36



- When using electrical equipment, basic safety precautions should always be followed, including the following:
- Read all instructions carefully before installing and save for future use.
  - Make sure all connections are in accordance with the National Electrical Code and local regulations.
  - To avoid possible electric shock, be sure the power supply is turned off before servicing or installing the fixture.
  - Service should be performed by qualified personnel.
  - These instructions may not cover all details or variations. If additional information is needed, please contact Visa Lighting.

# INSTALLATION INSTRUCTIONS

Model: **CP6002**  
Fixture Family: **Sequence**  
Document Description: Installation Instructions for  
LED Series Luminaires

**VISA LIGHTING**  
AN OLDENBURG GROUP COMPANY  
1717 West Civic Drive Milwaukee, WI 53209  
414-354-6600  
Design Modification Rights Reserved  
© Visa Lighting

Drawing: 762336XX

Rev: D

Sheet: 4 of 4

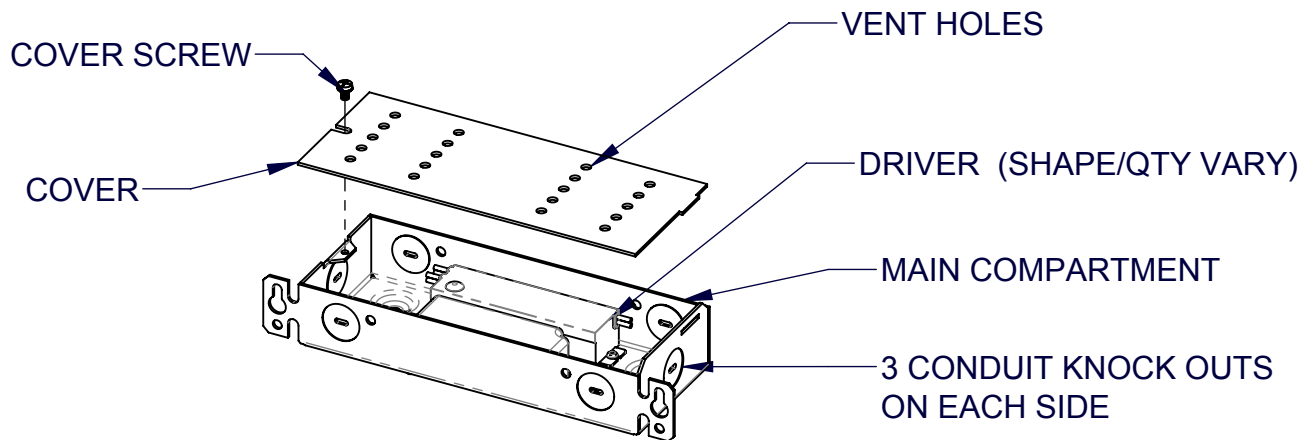
Eng: AJM

Date Drawn: 11/18/20

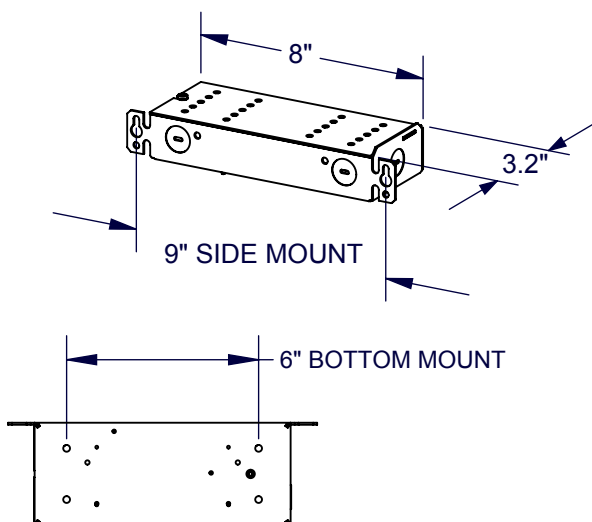
## RMD Option, Remote Mounted Driver Box:

Components may vary depending on options ordered.

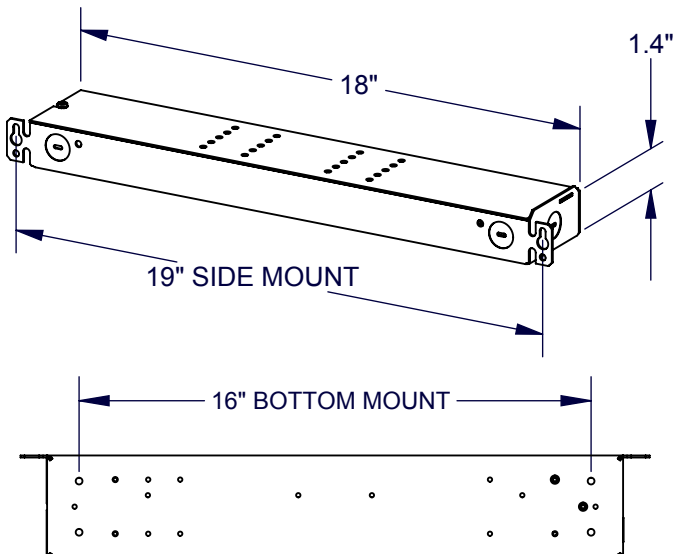
1. Remove cover by removing the cover screw.
2. Mount remote box in an accessible area per local and national codes, use fasteners appropriate for the mounting surface (not included).
3. Make all wire connections per local and national codes.



### 8" BOX DIMENSIONS



### 18" BOX DIMENSIONS



When using electrical equipment, basic safety precautions should always be followed, including the following:

- Read all instructions carefully before installing and save for future use.
- Make sure all connections are in accordance with the National Electrical Code and local regulations.
- To avoid possible electric shock, be sure the power supply is turned off before servicing or installing the fixture.
- Service should be performed by qualified personnel.
- These instructions may not cover all details or variations. If additional information is needed, please contact Visa Lighting.