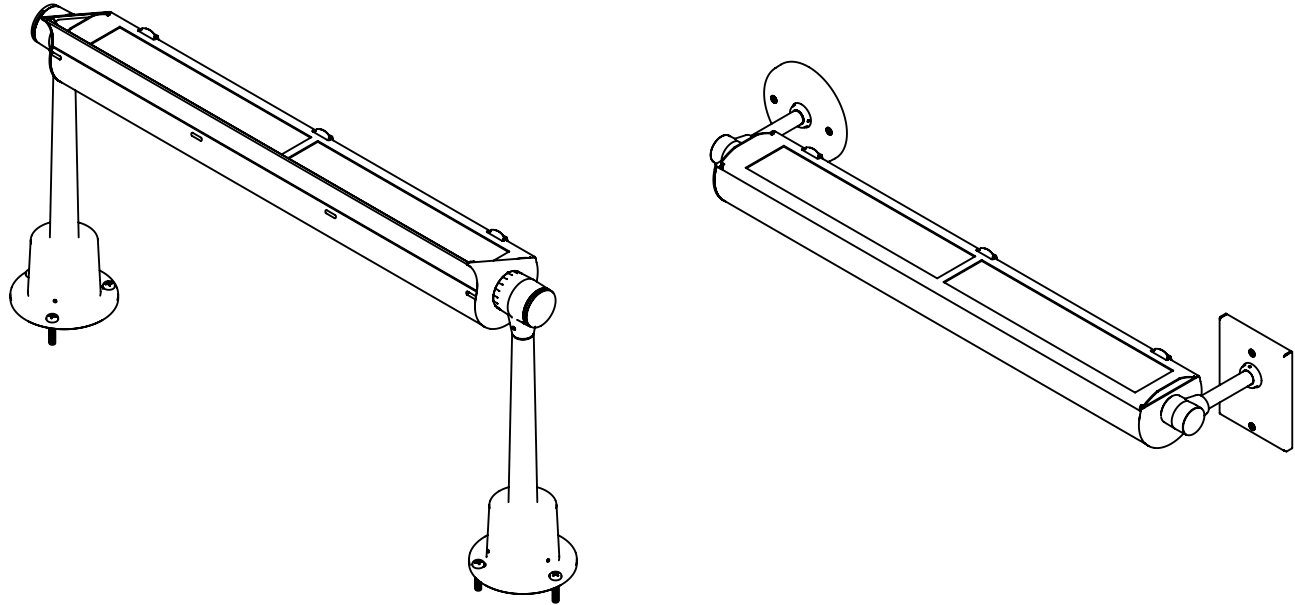


INSTALLATION INSTRUCTIONS

Model: **OV2100 / OV2110 / OG2000 / OG2010**
Fixture Family: **ADVANTUS**
Document Description: Installation Instructions for
ADVANTUS Series Luminaires

VISA LIGHTING
AN OLDENBURG GROUP COMPANY
1717 West Civic Drive Milwaukee, WI 53209
414-354-6600
Design Modification Rights Reserved
© Visa Lighting



ADVANTUS

OV2100 SERIES
OV2110 SERIES
OG2000 SERIES
OG2010 SERIES

Drawing: 762344XX

Rev: A

Sheet: 1 of 6

Eng: ZOP

Date Drawn: 5/5/2020

! When using electrical equipment, basic safety precautions should always be followed, including the following:

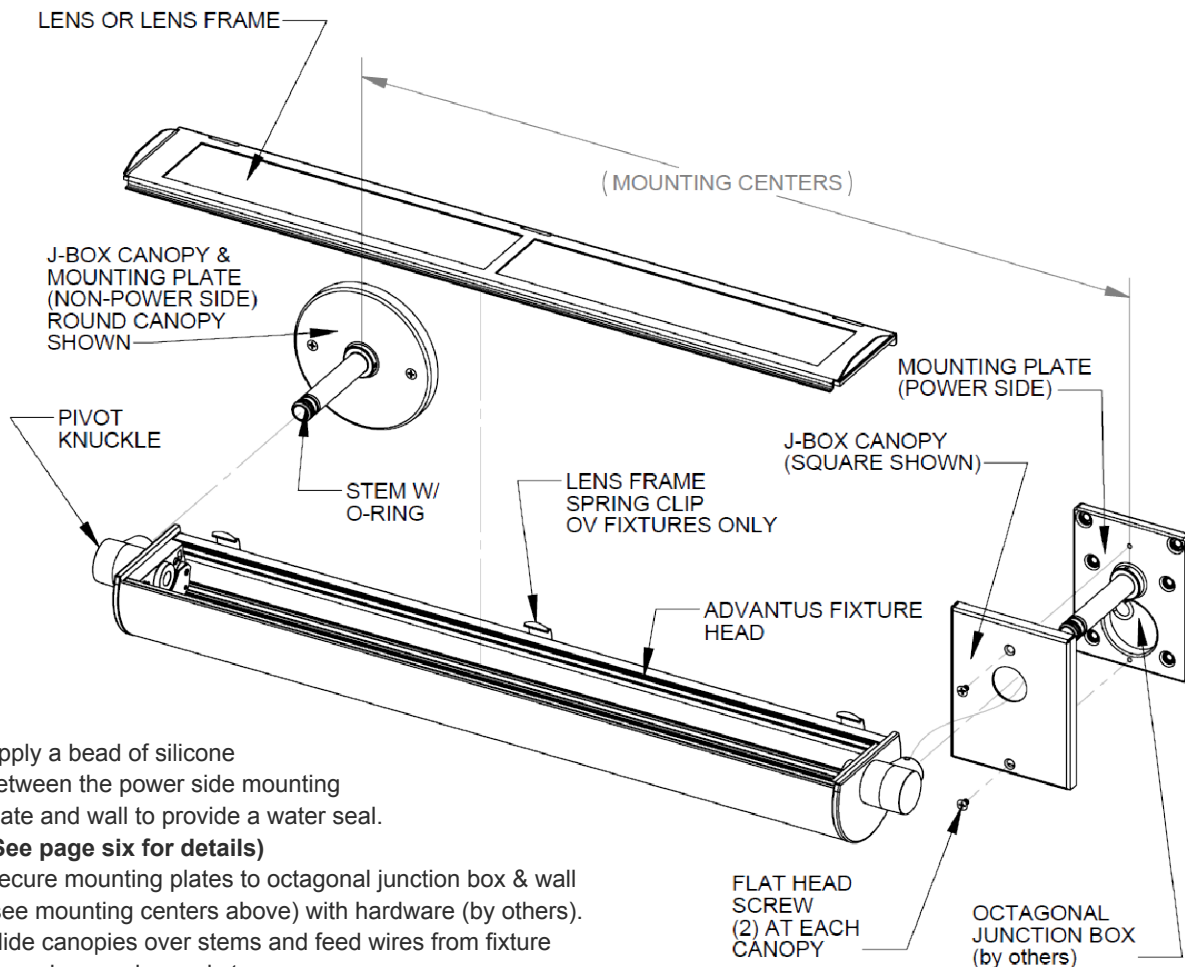
- Read all instructions carefully before installing and save for future use.
- Make sure all connections are in accordance with the National Electrical Code and local regulations.
- To avoid possible electric shock, be sure the power supply is turned off before servicing or installing the fixture.
- Service should be performed by qualified personnel.
- These instructions may not cover all details or variations. If additional information is needed, please contact Visa Lighting.

INSTALLATION INSTRUCTIONS

Model: **OV2100 / OV2110 / OG2000 / OG2010**
 Fixture Family: **ADVANTUS**
 Document Description: Installation Instructions for
 ADVANTUS Series Luminaires

NOTE: Fixture may vary depending on model # and/or options. Illustration shows both square & round canopies. Installation is the same for both.

Fixture Model: OV2100-## & OV2110-##	MOUNTING CENTER
-24	26 1/2"
-36	37 7/8"
-48	49 1/2"
-60	60 5/8"



1. Apply a bead of silicone between the power side mounting plate and wall to provide a water seal.
(See page six for details)
Secure mounting plates to octagonal junction box & wall (see mounting centers above) with hardware (by others).
2. Slide canopies over stems and feed wires from fixture through canopies and stems.
3. Using the wire access hole in the mounting plate, make connections per code.
4. Secure canopies with screws provided.
5. Apply a bead of silicone around the perimeter of the power side canopies to provide a water seal.
(See page six for details.)
6. Being careful not to pinch wires, slide fixture head over end of stems and lubricated O-ring. Secure fixture to stems with provided set screws.
7. Adjust rotation of fixture head to desired angle and tighten provided set screws to secure fixture.
8. Resecure clear wet location lens frame to fixture. See Page 3 for lens details.

Drawing: 762344XX

Rev: A

Sheet: 2 of 6

Eng: ZOP

Date Drawn: 5/5/2020

! When using electrical equipment, basic safety precautions should always be followed, including the following:

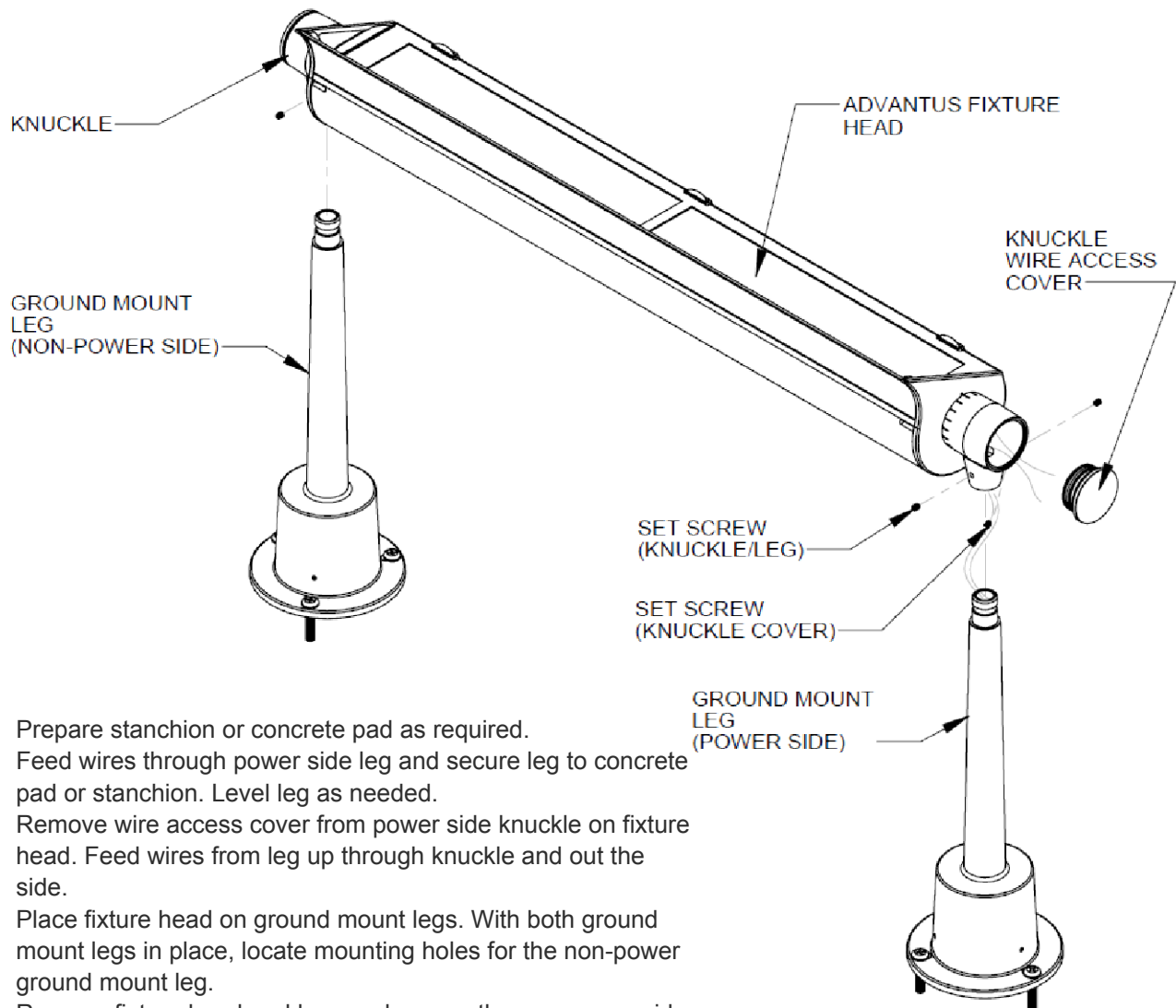
- Read all instructions carefully before installing and save for future use.
- Make sure all connections are in accordance with the National Electrical Code and local regulations.
- To avoid possible electric shock, be sure the power supply is turned off before servicing or installing the fixture.
- Service should be performed by qualified personnel.
- These instructions may not cover all details or variations. If additional information is needed, please contact Visa Lighting.

INSTALLATION INSTRUCTIONS

Model: **OV2100 / OV2110 / OG2000 / OG2010**
Fixture Family: **ADVANTUS**
Document Description: Installation Instructions for
ADVANTUS Series Luminaires

GROUND MOUNT

Note: Image may vary depending on model #.
Illustration shows the two foot long fixture and
the cutoff shield version.



1. Prepare stanchion or concrete pad as required.
2. Feed wires through power side leg and secure leg to concrete pad or stanchion. Level leg as needed.
3. Remove wire access cover from power side knuckle on fixture head. Feed wires from leg up through knuckle and out the side.
4. Place fixture head on ground mount legs. With both ground mount legs in place, locate mounting holes for the non-power ground mount leg.
5. Remove fixture head and legs and secure the non-power side leg to concrete pad on opposite side.
6. Place fixture head back on both ground mount legs and tighten set screws at both leg/knuckle connections.
7. Make connections per code. Reattach wire access cover and tighten set screw.
8. Align fixture head to desired angle and tighten set screws between the fixture head and the knuckles.

Drawing: 762344XX

Rev: A

Sheet: 3 of 6

Eng: ZOP

Date Drawn: 5/5/2020

When using electrical equipment, basic safety precautions should always be followed, including the following:

- Read all instructions carefully before installing and save for future use.
- Make sure all connections are in accordance with the National Electrical Code and local regulations.
- To avoid possible electric shock, be sure the power supply is turned off before servicing or installing the fixture.
- Service should be performed by qualified personnel.
- These instructions may not cover all details or variations. If additional information is needed, please contact Visa Lighting.

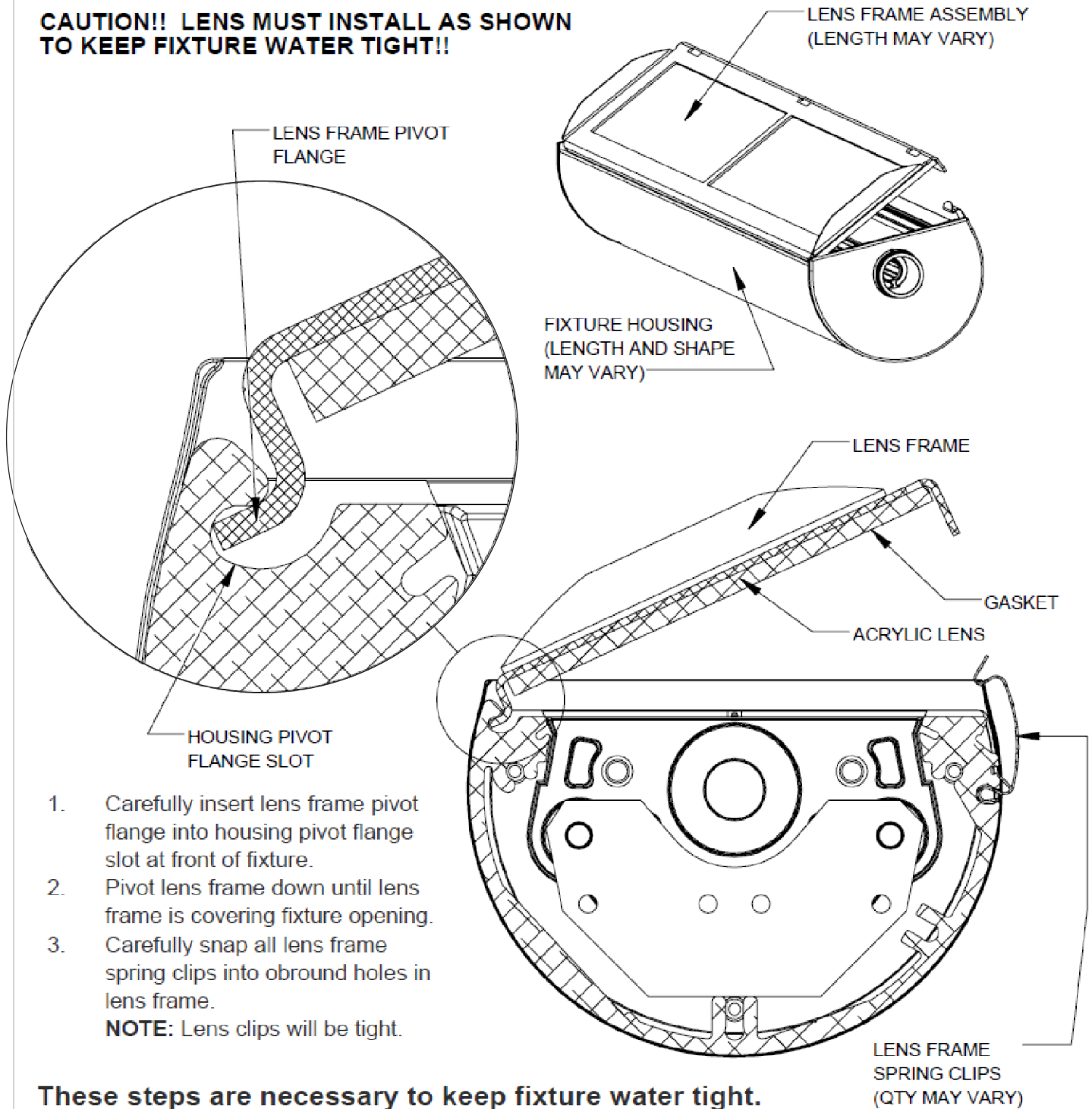
INSTALLATION INSTRUCTIONS

Model: **OV2100 / OV2110 / OG2000 / OG2010**
Fixture Family: **ADVANTUS**
Document Description: Installation Instructions for
ADVANTUS Series Luminaires

VISA LIGHTING
AN OLDENBURG GROUP COMPANY
1717 West Civic Drive Milwaukee, WI 53209
414-354-6600
Design Modification Rights Reserved
© Visa Lighting

LENS FRAME INSTALLATION

**CAUTION!! LENS MUST INSTALL AS SHOWN
TO KEEP FIXTURE WATER TIGHT!!**



1. Carefully insert lens frame pivot flange into housing pivot flange slot at front of fixture.
 2. Pivot lens frame down until lens frame is covering fixture opening.
 3. Carefully snap all lens frame spring clips into obround holes in lens frame.
- NOTE:** Lens clips will be tight.

These steps are necessary to keep fixture water tight.

When using electrical equipment, basic safety precautions should always be followed, including the following:

- Read all instructions carefully before installing and save for future use.
- Make sure all connections are in accordance with the National Electrical Code and local regulations.
- To avoid possible electric shock, be sure the power supply is turned off before servicing or installing the fixture.
- Service should be performed by qualified personnel.
- These instructions may not cover all details or variations. If additional information is needed, please contact Visa Lighting.

Drawing: 762344XX

Rev: A

Sheet: 4 of 6

Eng: ZOP

Date Drawn: 5/5/2020

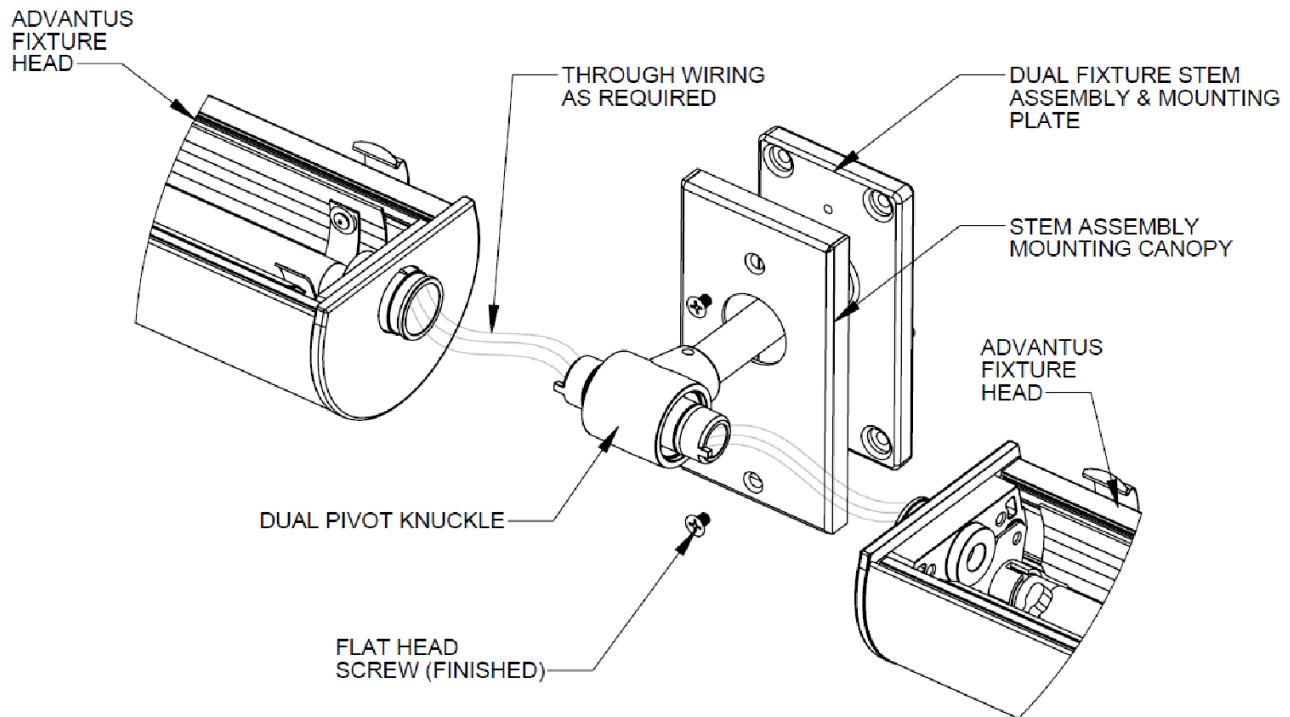
INSTALLATION INSTRUCTIONS

Model: **OV2100 / OV2110 / OG2000 / OG2010**
Fixture Family: **ADVANTUS**
Document Description: Installation Instructions for
ADVANTUS Series Luminaires

VISA LIGHTING
AN OLDENBURG GROUP COMPANY
1717 West Civic Drive Milwaukee, WI 53209
414-354-6600
Design Modification Rights Reserved
© Visa Lighting

CONTINUOUS ROW FIXTURE

Note: Image may vary depending on Model # and/or options. Illustration shows both square canopies and round canopies. Installation is the same either way.



Prepare surface of wall. See "Fixture Mounting Centers" table on page 1 for required spacing of blocking (blocking by others).

See field instruction page 1 for first step of continuous row fixture install.

Note: Continuous row fixture install is the same as a single fixture install except for the "non-power" stem assembly. It has a dual fixture pivot knuckle which provides another mating end for the next fixture.

1. With the dual fixture stem assembly & canopy secured to wall, make electrical connections per code through dual fixture stem assembly knuckle to the next fixture.
2. Slide the next fixture into dual fixture stem assembly pivot knuckle. Feed wires through the knuckle of the next dual fixture stem assembly. Level fixture for straightness, and secure the mounting plate of the stem assembly to the wall with screws (by others). Secure stem assembly canopy to mounting plate.
Note: All stem assembly canopies must be on stem (as shown) prior to install.
3. Repeat steps 3 & 4 for additional fixtures.
4. Depending on which side the power will be coming from in the continuous row system, the last stem assembly will be a single-sided stem assembly for either J-box mounting or non-power wall mounting.
5. Install lamp(s) as required and resecure clear lens and/or wet location lens frame to fixture.

When using electrical equipment, basic safety precautions should always be followed, including the following:

- Read all instructions carefully before installing and save for future use.
- Make sure all connections are in accordance with the National Electrical Code and local regulations.
- To avoid possible electric shock, be sure the power supply is turned off before servicing or installing the fixture.
- Service should be performed by qualified personnel.
- These instructions may not cover all details or variations. If additional information is needed, please contact Visa Lighting.

Drawing: 762344XX

Rev: A

Sheet: 5 of 6

Eng: ZOP

Date Drawn: 5/5/2020

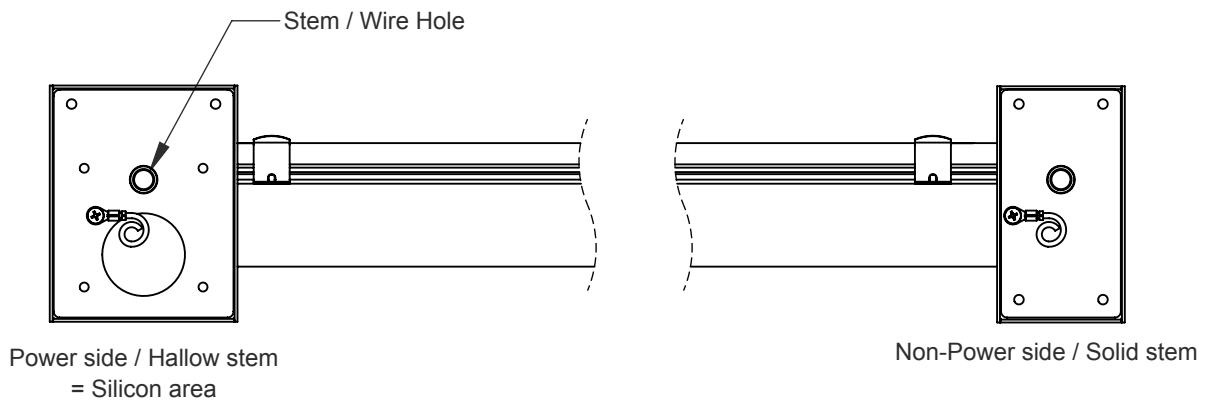
INSTALLATION INSTRUCTIONS

Model: **OV2100 / OV2110 / OG2000 / OG2010**
Fixture Family: **ADVANTUS**
Document Description: Installation Instructions for
ADVANTUS Series Luminaires

VISA LIGHTING
AN OLDENBURG GROUP COMPANY
1717 West Civic Drive Milwaukee, WI 53209
414-354-6600
Design Modification Rights Reserved
© Visa Lighting

WALL MOUNTED SEALING REQUIRED!

Note: Image may vary depending on model #.
Illustration shows the two foot long fixture, non-row mounted.



Apply a bead of silicone between the mounting plate stem hole and wiring holes as shown above. Failure to do so will likely result in water entering the fixture.

Drawing: 762344XX

Rev: A

Sheet: 6 of 6

Eng: ZOP

Date Drawn: 5/5/2020

When using electrical equipment, basic safety precautions should always be followed, including the following:

- Read all instructions carefully before installing and save for future use.
- Make sure all connections are in accordance with the National Electrical Code and local regulations.
- To avoid possible electric shock, be sure the power supply is turned off before servicing or installing the fixture.
- Service should be performed by qualified personnel.
- These instructions may not cover all details or variations. If additional information is needed, please contact Visa Lighting.