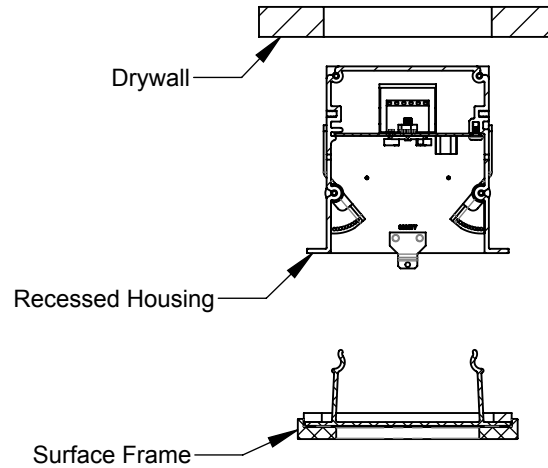


INSTALLATION INSTRUCTIONS

Model: **CV1601/03/05/07**
Fixture Family: **Visage Surface Frame**
Document Description: Installation Instructions for Visage Surface Frame
CV Series Luminaires

VISA LIGHTING
AN OLDENBURG GROUP COMPANY
1717 West Civic Drive Milwaukee, WI 53209
414-354-6600
Design Modification Rights Reserved
© Visa Lighting 2016

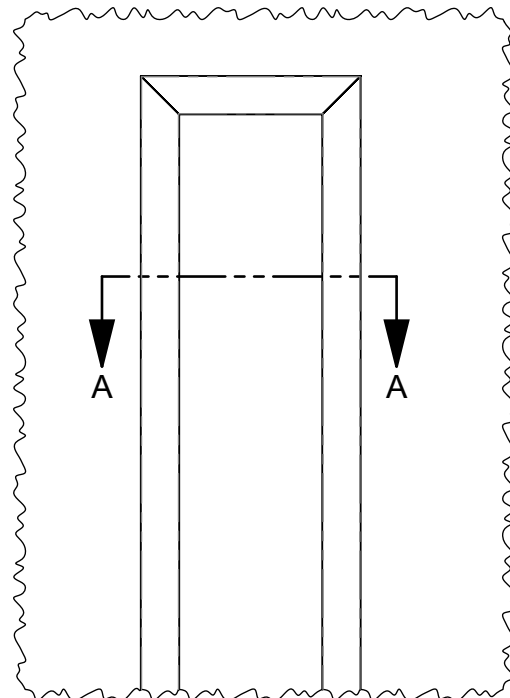


SECTION A-A

INSTRUCTIONS

1. Cut out Rectangular Opening in the drywall, ceiling or wall (See Sheet 2)
2. Loosen screws and remove LED Plate then connect Flexible Conduit to End cap (See Sheet 2)
3. Install Recessed Housing into Opening (See Sheet 3)
4. Secure with (4) Drywall Brackets (Sheet 3)
5. Make Electrical Connections per appropriate codes and reinstall LED Plate
6. Test
7. Snap Surface Frame in place
8. ***** IMPORTANT SAFETY STEP***** Secure Frame in place with (2) set screws at ends of frame (See Sheet 3)

For Alternate Structural Support Installation See Sheet 4



Drawing: 762349XX

Rev: A

Sheet: 1 of 4

Eng: MJH

Date Drawn: 9/8/20

When using electrical equipment, basic safety precautions should always be followed, including the following:

- Read all instructions carefully before installing and save for future use.
- Make sure all connections are in accordance with the National Electrical Code and local regulations.
- To avoid possible electric shock, be sure the power supply is turned off before servicing or installing the fixture.
- Service should be performed by qualified personnel.
- These instructions may not cover all details or variations. If additional information is needed, please contact Visa Lighting.

INSTALLATION INSTRUCTIONS

Model: **CV1601/03/05/07**
 Fixture Family: **Visage Surface Frame**
 Document Description: Installation Instructions for Visage Surface Frame
 CV Series Luminaires

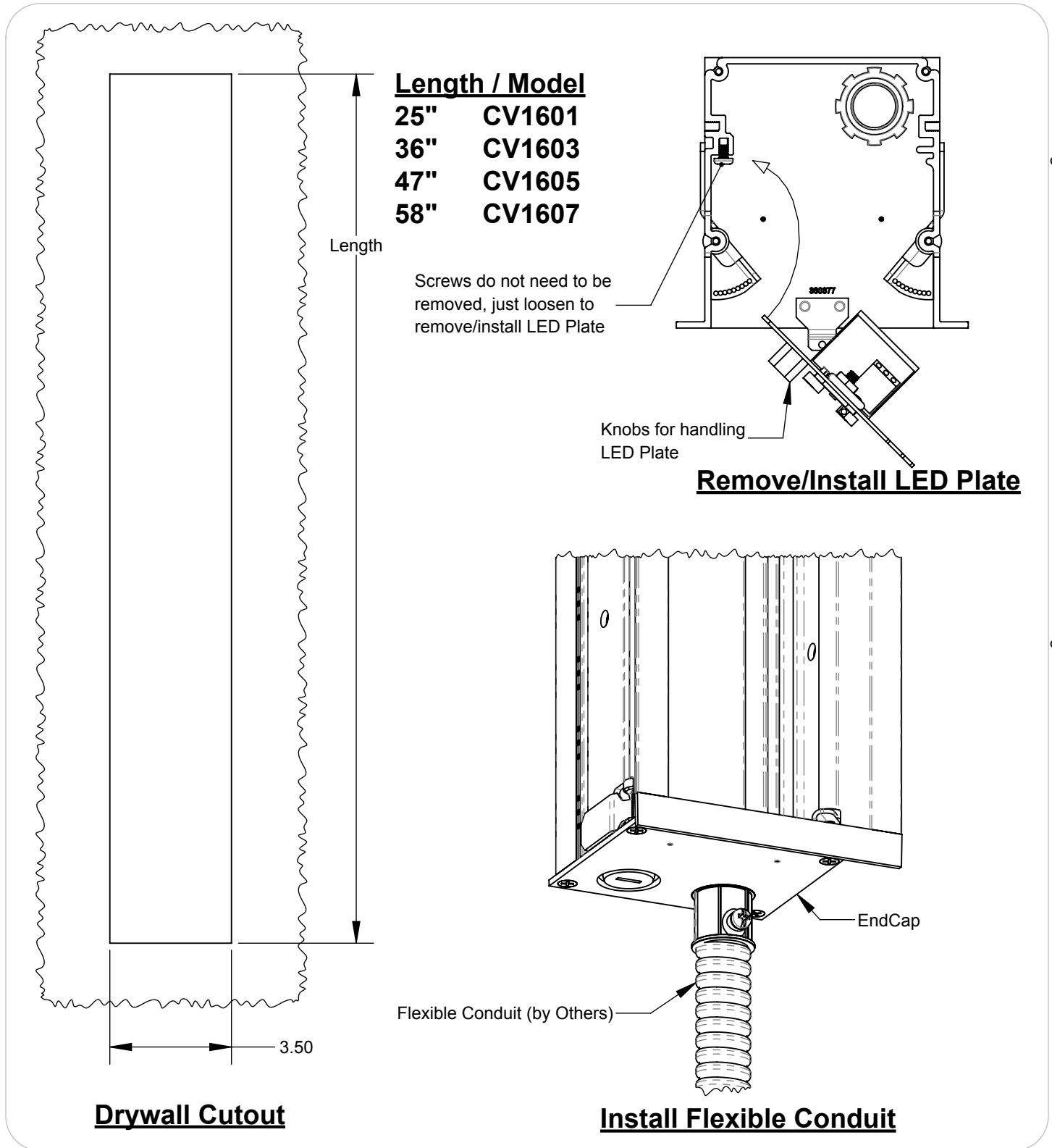
Drawing: 762349XX

Rev: A

Sheet: 2 of 4

Eng: MJH

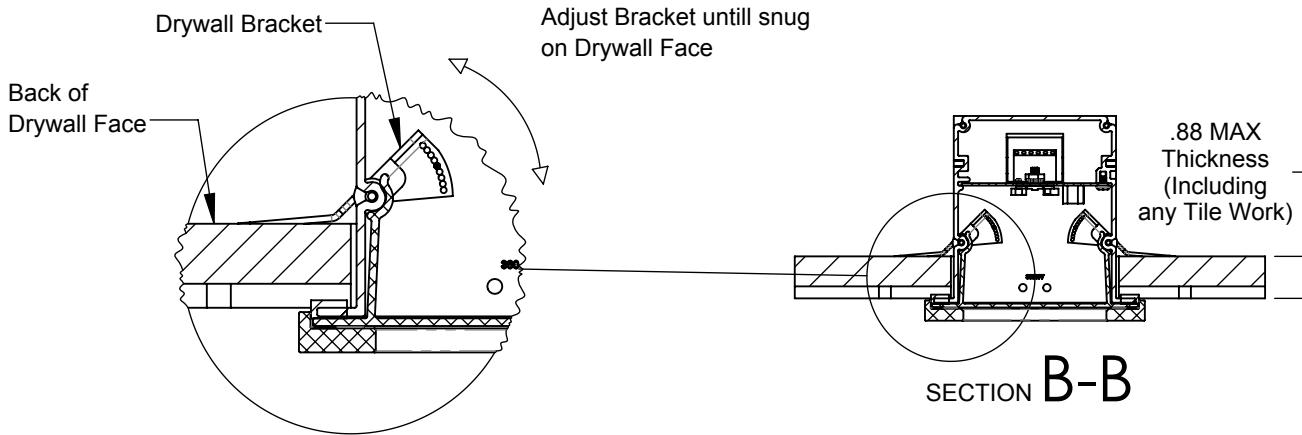
Date Drawn: 9/8/20



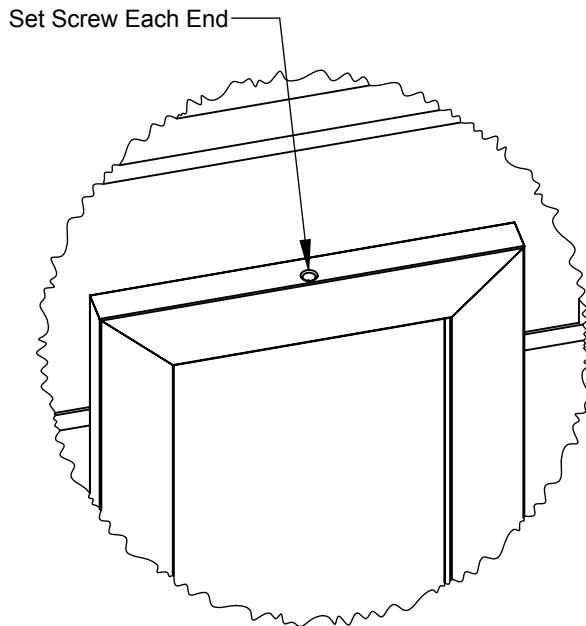
- !** When using electrical equipment, basic safety precautions should always be followed, including the following:
- Read all instructions carefully before installing and save for future use.
 - Make sure all connections are in accordance with the National Electrical Code and local regulations.
 - To avoid possible electric shock, be sure the power supply is turned off before servicing or installing the fixture.
 - Service should be performed by qualified personnel.
 - These instructions may not cover all details or variations. If additional information is needed, please contact Visa Lighting.

INSTALLATION INSTRUCTIONS

Model: **CV1601/03/05/07**
Fixture Family: **Visage Surface Frame**
Document Description: Installation Instructions for Visage Surface Frame
CV Series Luminaires



Adjust Bracket



IMPORTANT - Secure With Set Screws

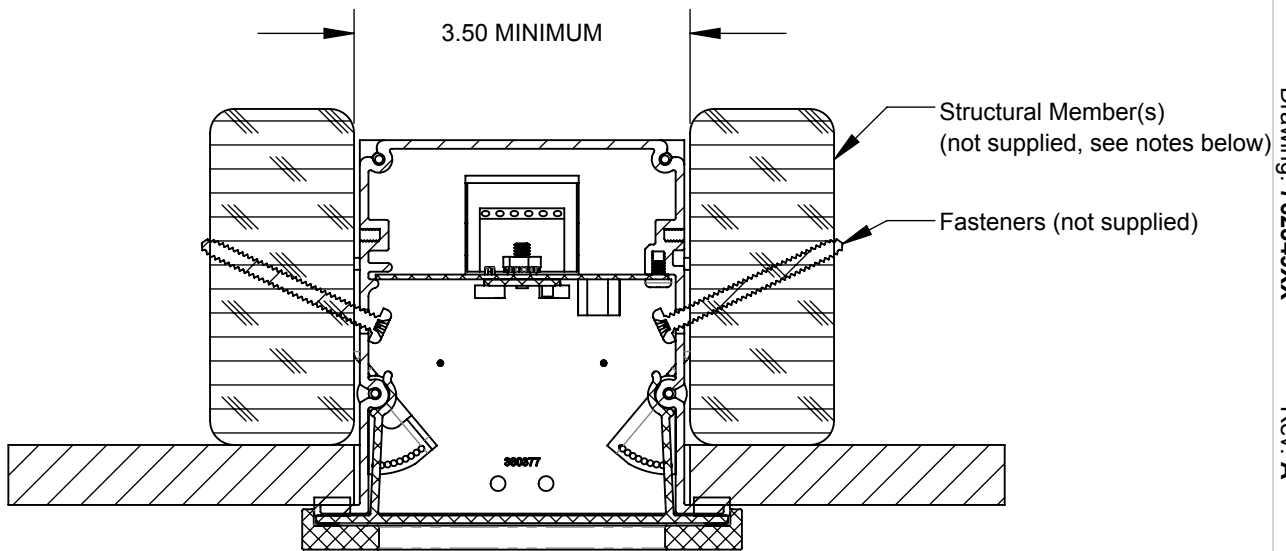
When using electrical equipment, basic safety precautions should always be followed, including the following:

- Read all instructions carefully before installing and save for future use.
- Make sure all connections are in accordance with the National Electrical Code and local regulations.
- To avoid possible electric shock, be sure the power supply is turned off before servicing or installing the fixture.
- Service should be performed by qualified personnel.
- These instructions may not cover all details or variations. If additional information is needed, please contact Visa Lighting.

INSTALLATION INSTRUCTIONS

Model: **CV1601/03/05/07**
Fixture Family: **Visage Surface Frame**
Document Description: Installation Instructions for Visage Surface Frame
CV Series Luminaires

VISA LIGHTING
AN OLDENBURG GROUP COMPANY
1717 West Civic Drive Milwaukee, WI 53209
414-354-6600
Design Modification Rights Reserved
© Visa Lighting 2016



Alternate Structural Mount

INSTRUCTIONS

1. Locate Structural Members along the intended Drywall Opening. (see Sheet 2)
NOTE - only one side is required, the other member provides more security in higher abuse or public spaces. The Drywall Brackets are not used for this Alternate Installation.
2. Cut out Rectangular Opening in the drywall (Ceiling or Wall), (see Sheet 2)
3. Loosen screws to Remove LED Plate then Connect Flexible Conduit to End cap (see Sheet 2)
4. Install Recessed Housing into Opening (see Sheet 3) and Secure with (4) Screws to Structural Members (Above)
5. Make Electrical connections per appropriate codes and reinstall LED Plate
6. Test
7. Snap Surface Frame in place
8. *** IMPORTANT SAFETY STEP*** Secure Frame in place with (2) set screws at ends of Frame (see Sheet 3)

When using electrical equipment, basic safety precautions should always be followed, including the following:

- Read all instructions carefully before installing and save for future use.
- Make sure all connections are in accordance with the National Electrical Code and local regulations.
- To avoid possible electric shock, be sure the power supply is turned off before servicing or installing the fixture
- Service should be performed by qualified personnel.
- These instructions may not cover all details or variations. If additional information is needed, please contact Visa Lighting.

Drawing: 762349XX

Rev: A

Sheet: 4 of 4

Eng: MJH

Date Drawn: 9/8/20