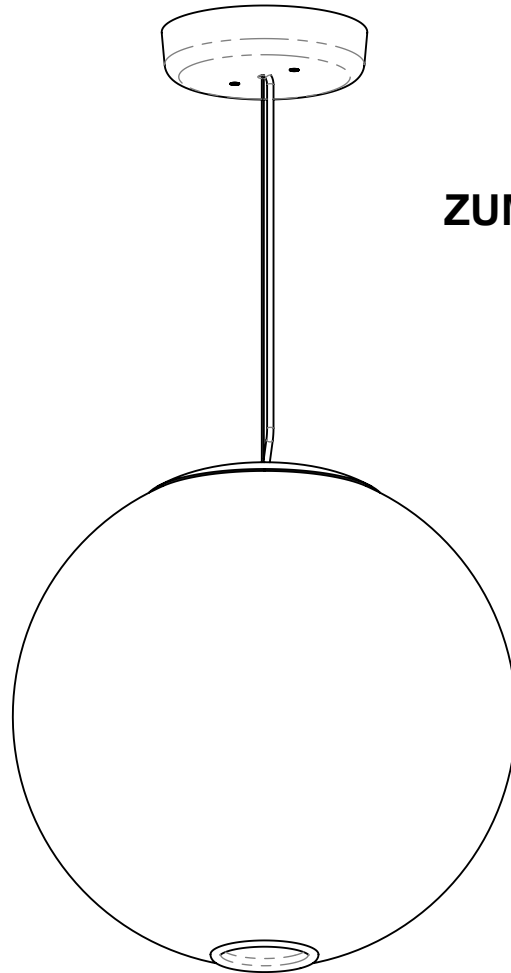


# INSTALLATION INSTRUCTIONS

Model: **CP7120-22, CP7122-12, CP7122-16, CP7122-22**  
Fixture Family: **ZUME IN PENDANTS**  
Document Description: Installation Instructions for  
Zume In Series Luminaires

**VISA LIGHTING**  
AN OLDENBURG GROUP COMPANY  
1717 West Civic Drive Milwaukee, WI 53209  
414-354-6600  
Design Modification Rights Reserved  
© Visa Lighting 2016



**ZUME IN PENDANT  
(CABLE HUNG)  
(SIDE CORD)**

Drawing: 762352XX

Rev: A

Sheet: 1 of 2

Eng: CGA

Date Drawn: 9/8/20

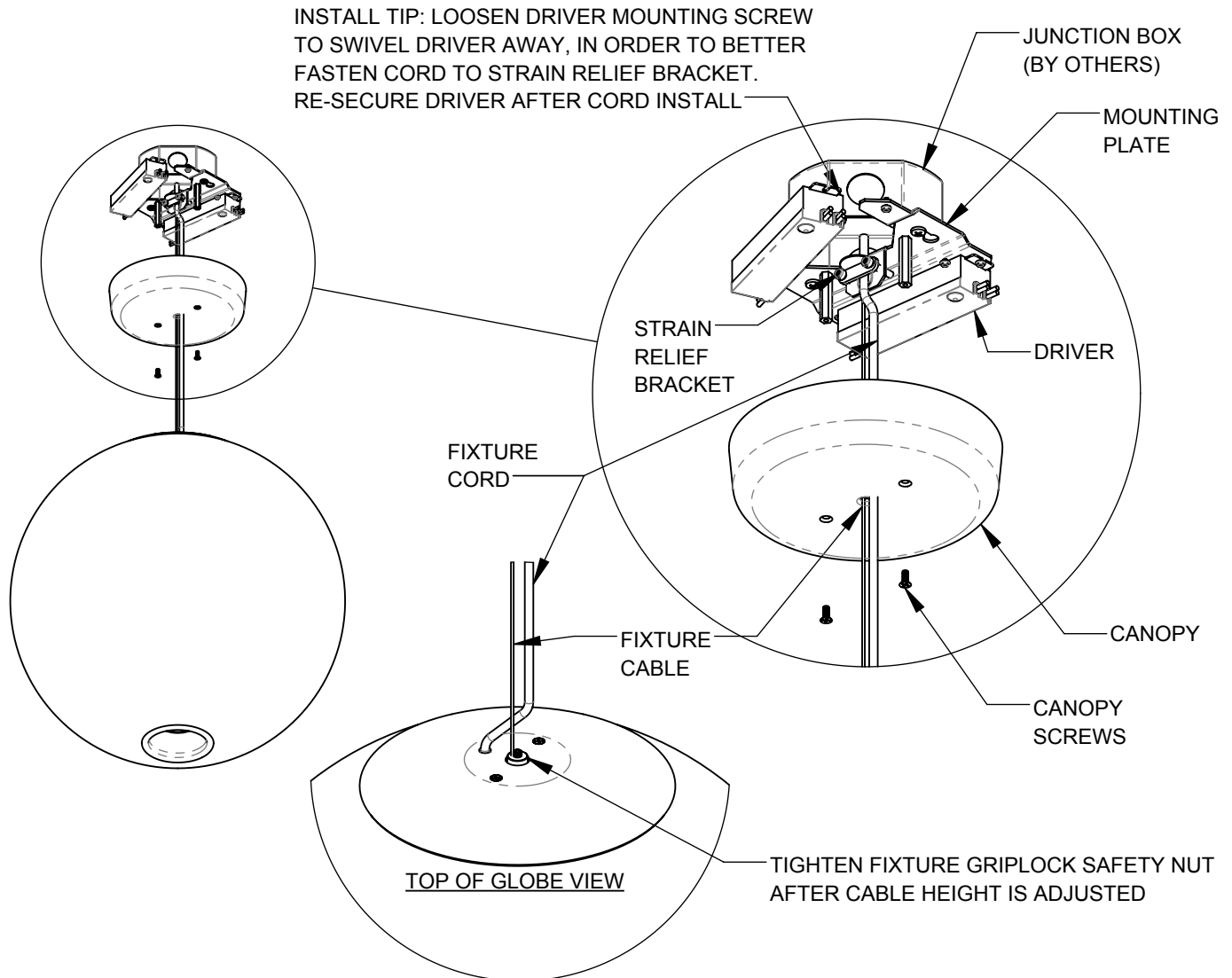
**!** When using electrical equipment, basic safety precautions should always be followed, including the following:

- Read all instructions carefully before installing and save for future use.
- Make sure all connections are in accordance with the National Electrical Code and local regulations.
- To avoid possible electric shock, be sure the power supply is turned off before servicing or installing the fixture.
- Service should be performed by qualified personnel.
- These instructions may not cover all details or variations. If additional information is needed, please contact Visa Lighting.

# INSTALLATION INSTRUCTIONS

Model: **CP7120-22, CP7122-12, CP7122-16, CP7122-22**  
Fixture Family: **ZUME IN PENDANTS**  
Document Description: Installation Instructions for  
Zume In Series Luminaires

**VISA LIGHTING**  
AN OLDENBURG GROUP COMPANY  
1717 West Civic Drive Milwaukee, WI 53209  
414-354-6600  
Design Modification Rights Reserved  
© Visa Lighting 2016



1. Remove canopy from Surface Driver Compartment (save canopy screws).
2. Fasten mounting plate to Junction Box with screws (by others).
3. Feed fixture cable & cord through center hole in canopy - insert cable into fixture griplock, secure cable by tightening griplock safety nut, then secure top end of cord to strain relief bracket on mounting plate.
4. Make all wire connections per local & national codes.
5. Lift canopy into place - secure with supplied canopy screws.

When using electrical equipment, basic safety precautions should always be followed, including the following:

- Read all instructions carefully before installing and save for future use.
- Make sure all connections are in accordance with the National Electrical Code and local regulations.
- To avoid possible electric shock, be sure the power supply is turned off before servicing or installing the fixture.
- Service should be performed by qualified personnel.
- These instructions may not cover all details or variations. If additional information is needed, please contact Visa Lighting.

Drawing: 762352XX

Rev: A

Sheet: 2 of 2

Eng: CGA

Date Drawn: 9/8/20