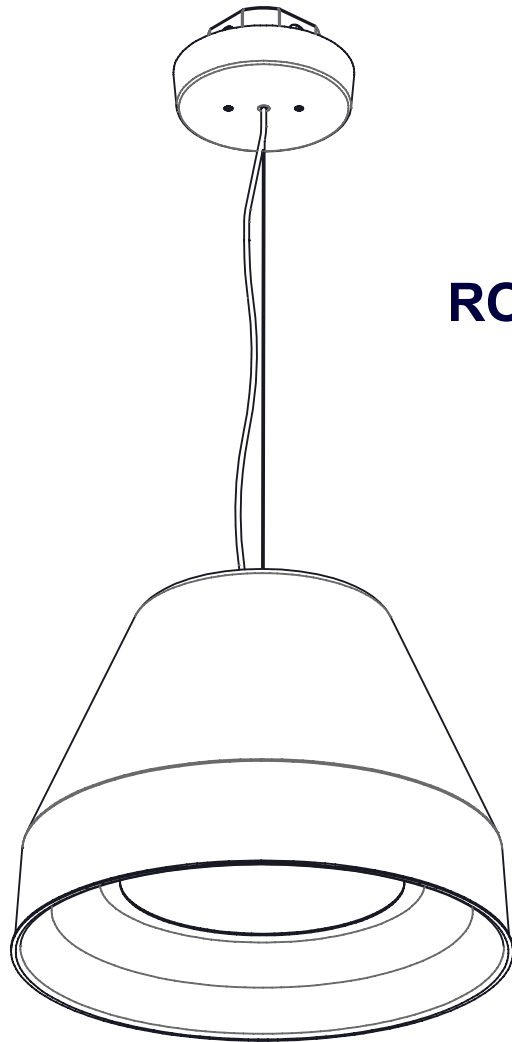


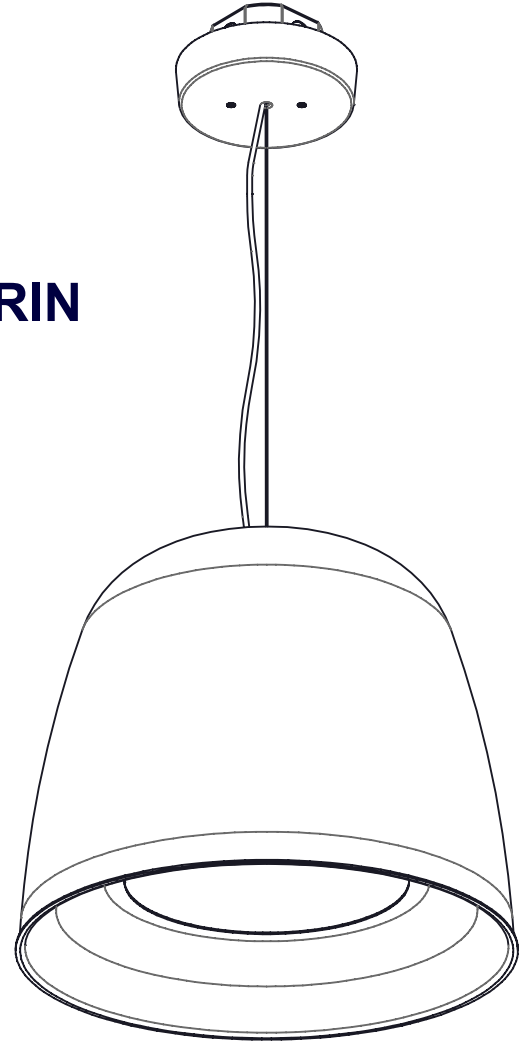
INSTALLATION INSTRUCTIONS

Model: CP4430, CP4432, CP4440, CP4442
Fixture Family: ROCKET and BRIN
Document Description: Installation Instructions for
LED Series Luminaires

VISA LIGHTING
AN OLDENBURG GROUP COMPANY
1717 West Civic Drive Milwaukee, WI 53209
414-354-6600
Design Modification Rights Reserved
© Visa Lighting 2016



ROCKET and BRIN



Contents:

Sheet 1: Cover

Sheet 2: Notes

- Fixture will arrive in 3 assemblies
- Two cable grippers are used to support the weight of the fixture
- Power cord has 4 conductors

Sheet 3: Mounting instructions

Sheet 4: Fixture canopy mounting

When using electrical equipment, basic safety precautions should always be followed, including the following:

- Read all instructions carefully before installing and save for future use.
- Make sure all connections are in accordance with the National Electrical Code and local regulations.
- To avoid possible electric shock, be sure the power supply is turned off before servicing or installing the fixture
- Service should be performed by qualified personnel.
- These instructions may not cover all details or variations. If additional information is needed, please contact Visa Lighting.

Drawing: 762360XX

Rev: A

Sheet: 1 of 4

Eng: AJM

Date Drawn: 1/13/22

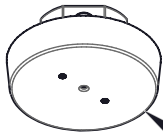
INSTALLATION INSTRUCTIONS

Model: CP4430, CP4432, CP4440, CP4442
Fixture Family: ROCKET and BRIN
Document Description: Installation Instructions for LED Series Luminaires

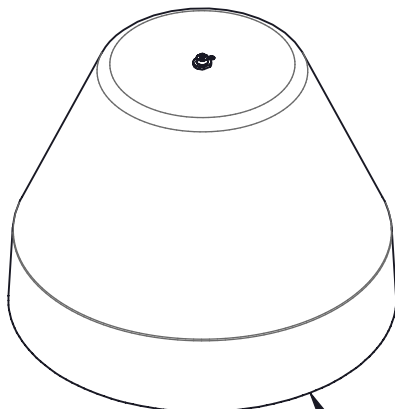
VISA LIGHTING
AN OLDENBURG GROUP COMPANY
1717 West Civic Drive Milwaukee, WI 53209
414-354-6600
Design Modification Rights Reserved
© Visa Lighting 2016

Notes:

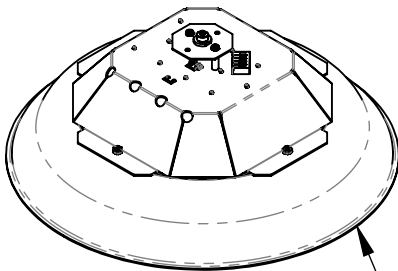
Fixture will arrive in 3 assemblies



Canopy + suspension cable (not shown)



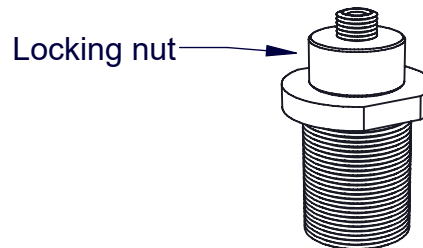
Top cap



LED Assembly

Two cable grippers are used to support the weight of the fixture

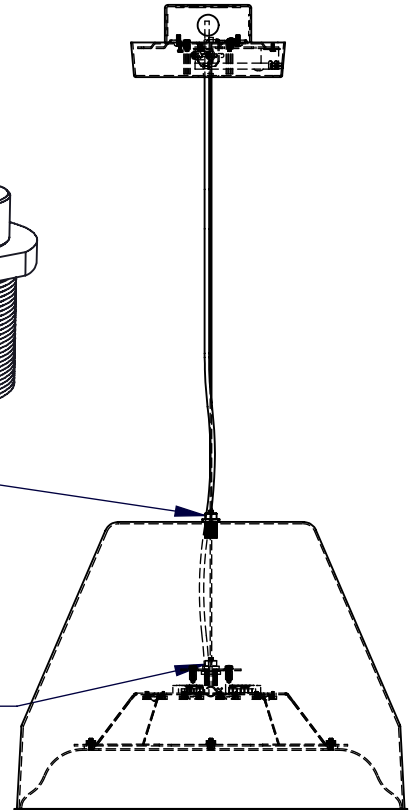
Relieve cable tension and push down to release



Locking nut

This gripper is for supporting the weight of the top cap during installation

This gripper adjusts the mounting height of the fixture



Power cord has 4 conductors:

RED = Driver1 (+)
BLUE = Driver1 (-)
RED/WHITE = Driver2 (+)
BLUE/WHITE = Driver2 (-)

Note: if only one driver is in the canopy, the red/white and blue/white 'Driver2' wires should be capped off

Drawing: 762360XX

Rev: A

Sheet: 2 of 4

Eng: AJM

Date Drawn: 1/13/22

When using electrical equipment, basic safety precautions should always be followed, including the following:

- Read all instructions carefully before installing and save for future use.
- Make sure all connections are in accordance with the National Electrical Code and local regulations.
- To avoid possible electric shock, be sure the power supply is turned off before servicing or installing the fixture.
- Service should be performed by qualified personnel.
- These instructions may not cover all details or variations. If additional information is needed, please contact Visa Lighting.

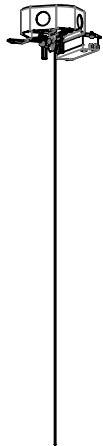
INSTALLATION INSTRUCTIONS

Model: CP4430, CP4432, CP4440, CP4442
Fixture Family: ROCKET and BRIN
Document Description: Installation Instructions for LED Series Luminaires

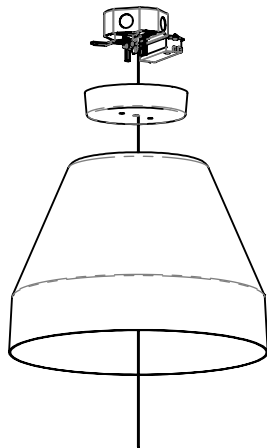
VISA LIGHTING
AN OLDENBURG GROUP COMPANY
1717 West Civic Drive Milwaukee, WI 53209
414-354-6600
Design Modification Rights Reserved
© Visa Lighting 2016

Mounting instructions: (See next page for more details on mounting the canopy)

STEP 1: Install canopy mounting plate and suspension cable



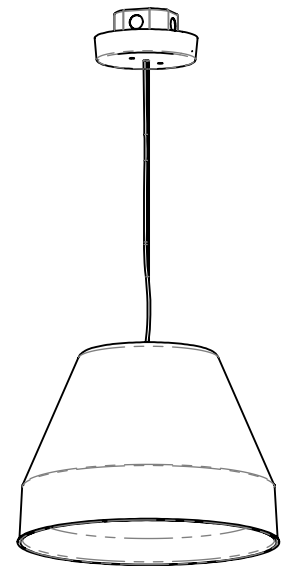
STEP 2: Pass cable through canopy cover and top cap



STEP 3: Install the LED assembly and make canopy connections



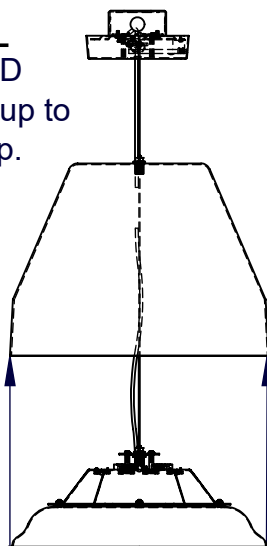
STEP 4: lower the top cap until it touches and is centered on the LED assembly



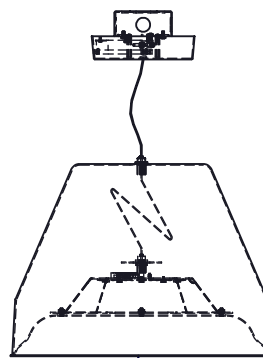
TIP

TIP: The top cap cannot be lowered unless it is not supporting any weight. Follow the steps below:

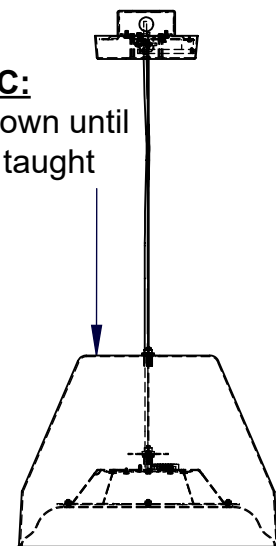
STEP 4A:
Lift the LED assembly up to the top cap.



STEP 4B:
Support weight, remove cable tension



STEP 4C:
Lower down until cable is taught



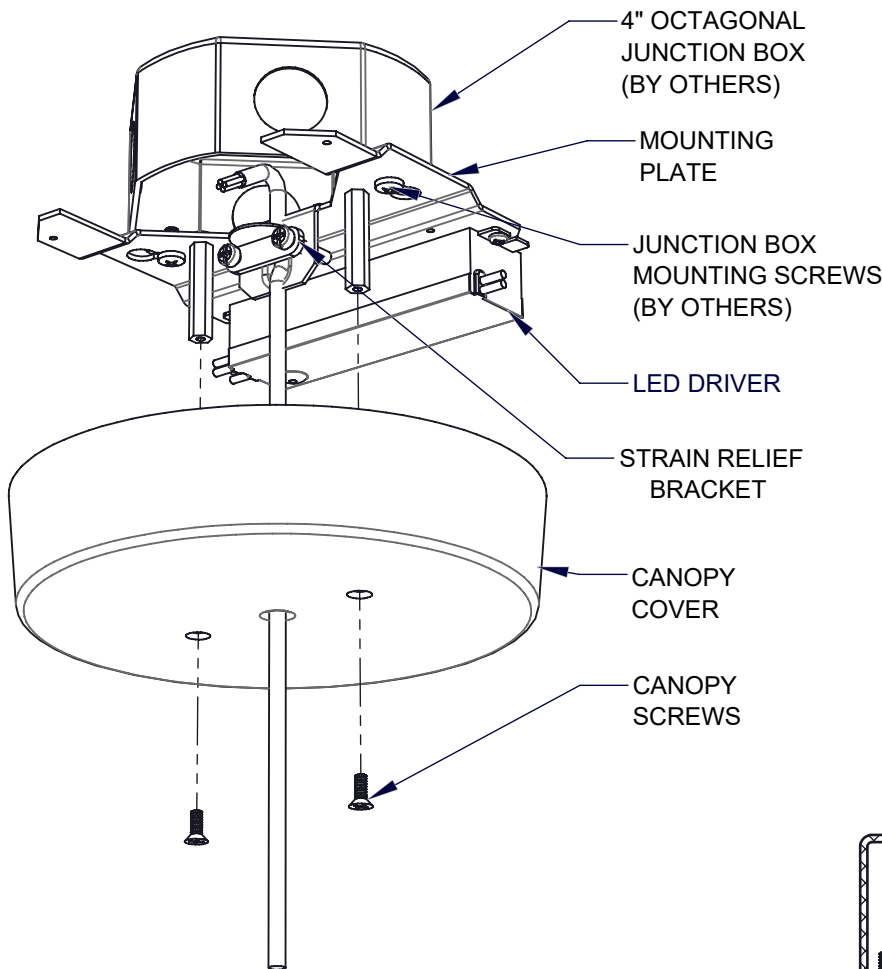
When using electrical equipment, basic safety precautions should always be followed, including the following:

- Read all instructions carefully before installing and save for future use.
- Make sure all connections are in accordance with the National Electrical Code and local regulations.
- To avoid possible electric shock, be sure the power supply is turned off before servicing or installing the fixture.
- Service should be performed by qualified personnel.
- These instructions may not cover all details or variations. If additional information is needed, please contact Visa Lighting.

INSTALLATION INSTRUCTIONS

Model: **CP4430, CP4432, CP4440, CP4442**
 Fixture Family: **ROCKET and BRIN**
 Document Description: Installation Instructions for
 LED Series Luminaires

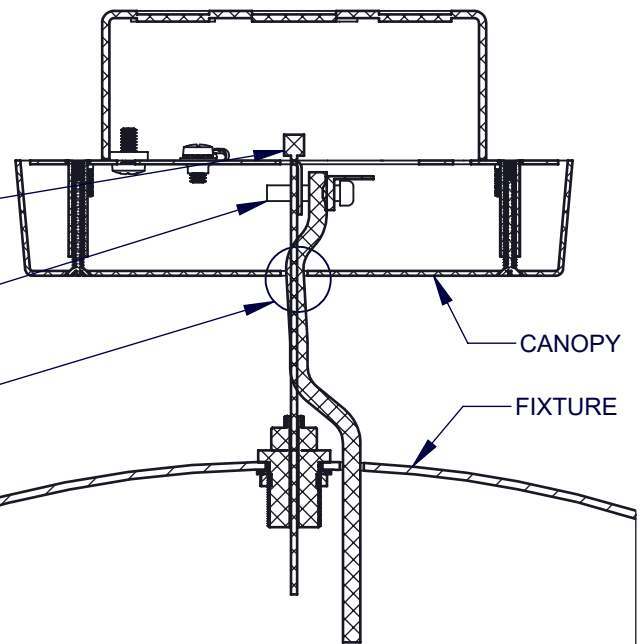
VISA LIGHTING
 AN OLDENBURG GROUP COMPANY
 1717 West Civic Drive Milwaukee, WI 53209
 414-354-6600
 Design Modification Rights Reserved
 © Visa Lighting



Fixture canopy mounting:

1. Fasten mounting plate to junction box with the junction box mounting screws (by others)
2. Make all wire connections per local and national codes
3. Lift Canopy in place and secure with canopy screws

- Swage on end of suspension cable holds up weight of fixture through mounting plate
- Loosen/ tighten strain relief bracket screws to shorten the power cord
- Suspension cable and cord enter through same hole in the canopy cover



Drawing: 762360XX

Rev: A

Sheet: 4 of 4

Eng: AJM

Date Drawn: 1/13/22



When using electrical equipment, basic safety precautions should always be followed, including the following:

- Read all instructions carefully before installing and save for future use.
- Make sure all connections are in accordance with the National Electrical Code and local regulations.
- To avoid possible electric shock, be sure the power supply is turned off before servicing or installing the fixture
- Service should be performed by qualified personnel.

• These instructions may not cover all details or variations. If additional information is needed, please contact Visa Lighting.