

INSTALLATION INSTRUCTIONS

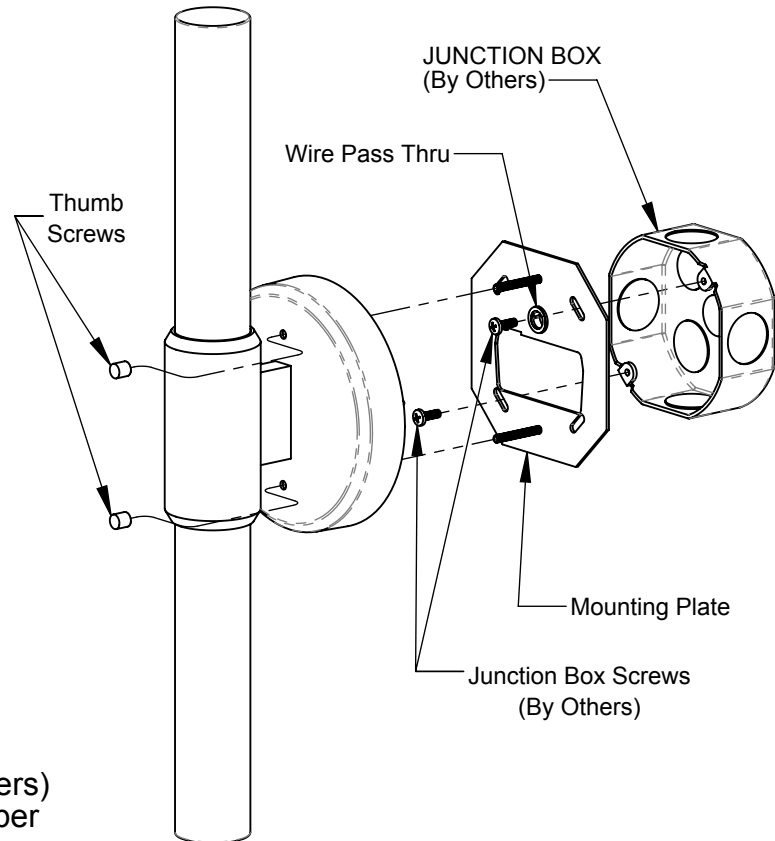
Model: **CB6860, CB6862**
Fixture Family: **Theo**
Document Description: Installation Instructions for Theo Sconce

VISA LIGHTING
AN OLDENBURG GROUP COMPANY
1717 West Civic Drive Milwaukee, WI 53209
414-354-6600
Design Modification Rights Reserved
© Visa Lighting 2016

Theo Sconce

TYPICAL FIXTURE

(Style May Vary)



Instructions

- Secure Mounting Plate with Junction Box Screws (by others)
- Make electrical connections per Local and National Codes
 - The Wire Pass Thru can be used for optional 0-10V dimming leads and fixture ground
- Secure to Mounting Plate with Thumb Nuts (provided)

When using electrical equipment, basic safety precautions should always be followed, including the following:

- Read all instructions carefully before installing and save for future use.
- Make sure all connections are in accordance with the National Electrical Code and local regulations.
- To avoid possible electric shock, be sure the power supply is turned off before servicing or installing the fixture
- Service should be performed by qualified personnel.
- These instructions may not cover all details or variations. If additional information is needed, please contact Visa Lighting.

Drawing: 762361XX

Rev: A

Sheet: 1 of 1

Eng: MJH

Date Drawn: 12/15/20