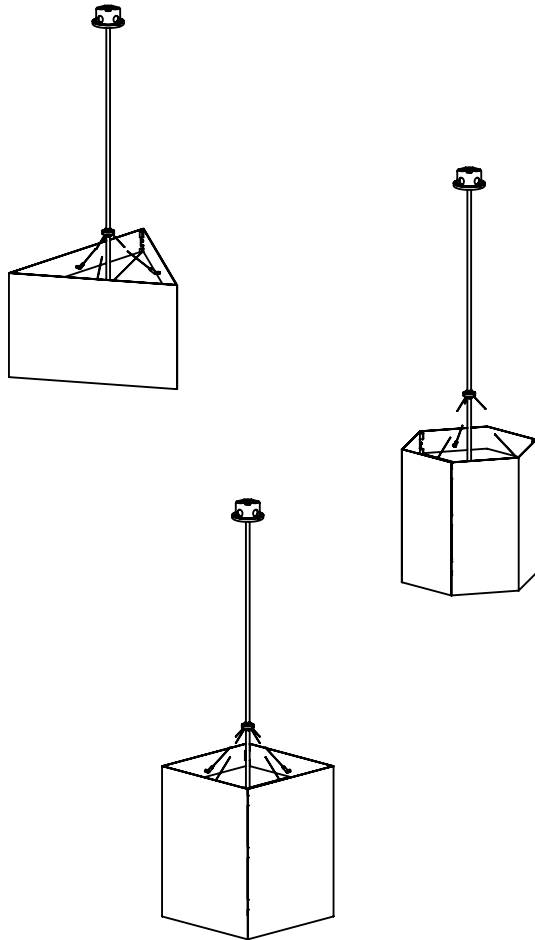


INSTALLATION INSTRUCTIONS

Model: **CP6106, 6108, 6110, 6126, 6128, & 6130**
Fixture Family: **Celest Pendants - Stem Mount**
Document Description: Installation Instructions for
Celest CP Small Form

VISA LIGHTING
AN OLDENBURG GROUP COMPANY
1717 West Civic Drive Milwaukee, WI 53209
414-354-6600
Design Modification Rights Reserved
© Visa Lighting



CELEST PENDANTS SMALL FORM

Metal Shades

CP6106

CP6108

CP6110

Acoustic Shades

CP6126

CP6128

CP6130

TABLE OF CONTENTS

SHEET 2: SWIVEL HANGER AND STEM INSTALLATION

SHEET 3: LED PLATE INSTALL

SHEET 4: SHADE ASSEMBLY & INSTALLATION

Drawing: 762362XX

Rev: A

Sheet: 1 of 4

Eng: ZOP

Date Drawn: 1/20/2021

! When using electrical equipment, basic safety precautions should always be followed, including the following:

- Read all instructions carefully before installing and save for future use.
- Make sure all connections are in accordance with the National Electrical Code and local regulations.
- To avoid possible electric shock, be sure the power supply is turned off before servicing or installing the fixture.
- Service should be performed by qualified personnel.
- These instructions may not cover all details or variations. If additional information is needed, please contact Visa Lighting.

INSTALLATION INSTRUCTIONS

Model: **CP6106, 6108, 6110, 6126, 6128, & 6130**
 Fixture Family: **Celest Pendants - Stem Mount**
 Document Description: Installation Instructions for
 Celest CP Small Form

VISA LIGHTING
 AN OLDENBURG GROUP COMPANY
 1717 West Civic Drive Milwaukee, WI 53209
 414-354-6600
 Design Modification Rights Reserved
 © Visa Lighting

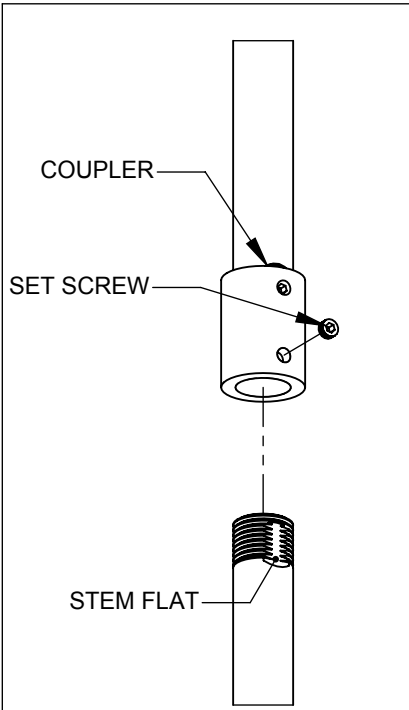
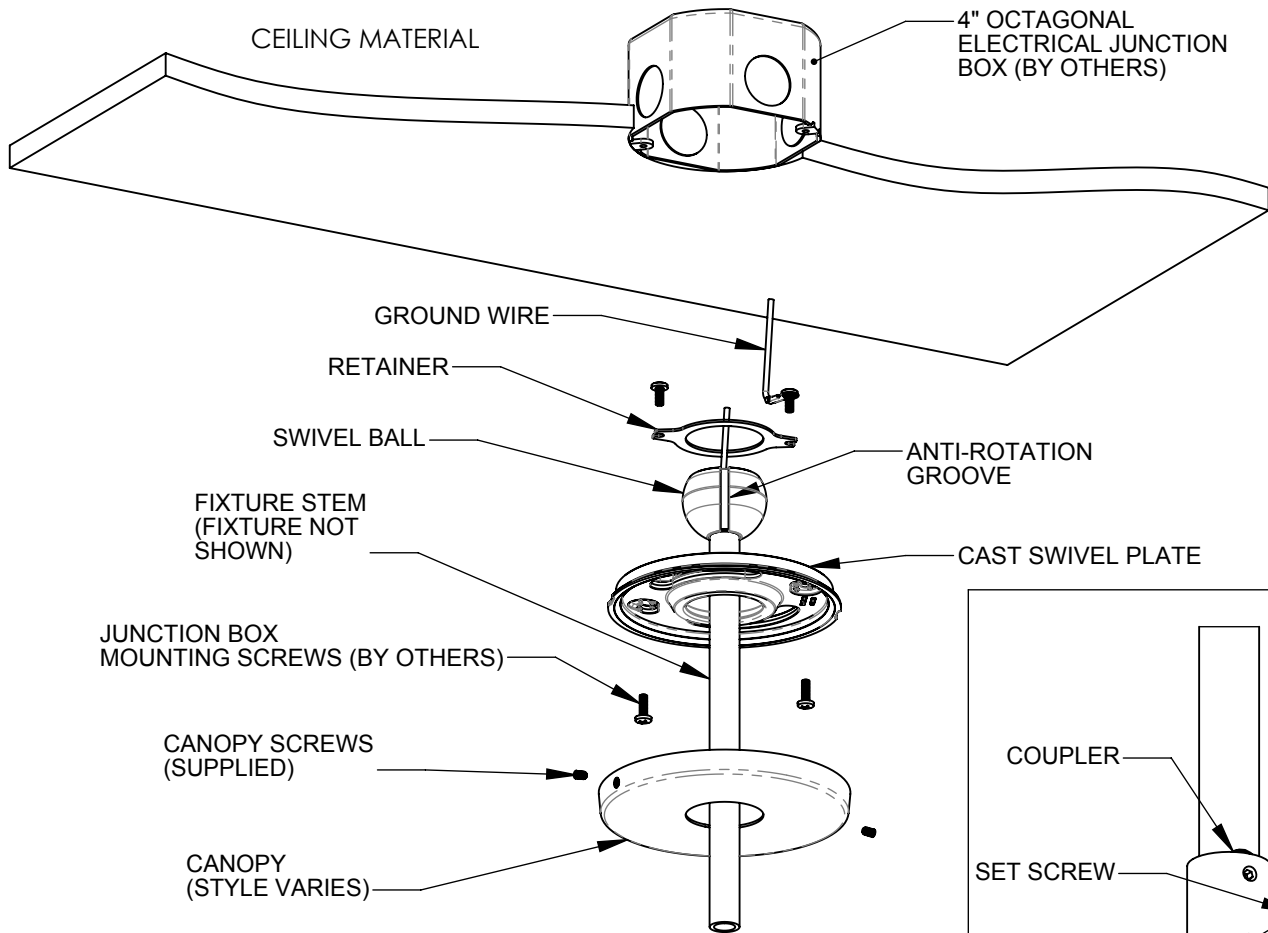
Drawing: 762362XX

Rev: A

Sheet: 2 of 4

Eng: ZOP

Date Drawn: 1/20/2021



For a longer stem, attach the stem segments with supplied coupler. Align flats on stem to set screws and securely fasten.

Preparation

Check all instructions with the fixture as some preparation may be necessary before the following steps

Instructions

1. Depending on the length of screws supplied with the junction box (by others), you may need to use the longer screws provided.
2. Insert swivel ball/stem assembly through cast swivel plate and fasten swivel ball retainer and ground wire with screws provided.
3. Insert stem through canopy, pull fixture wires through stem and securely fasten stem to the fixture.
4. Fasten cast swivel plate to junction box with #8-32 screws provided.
5. Make all wire connections per local and national codes.
6. Lift canopy in place and secure with screws provided.



When using electrical equipment, basic safety precautions should always be followed, including the following:

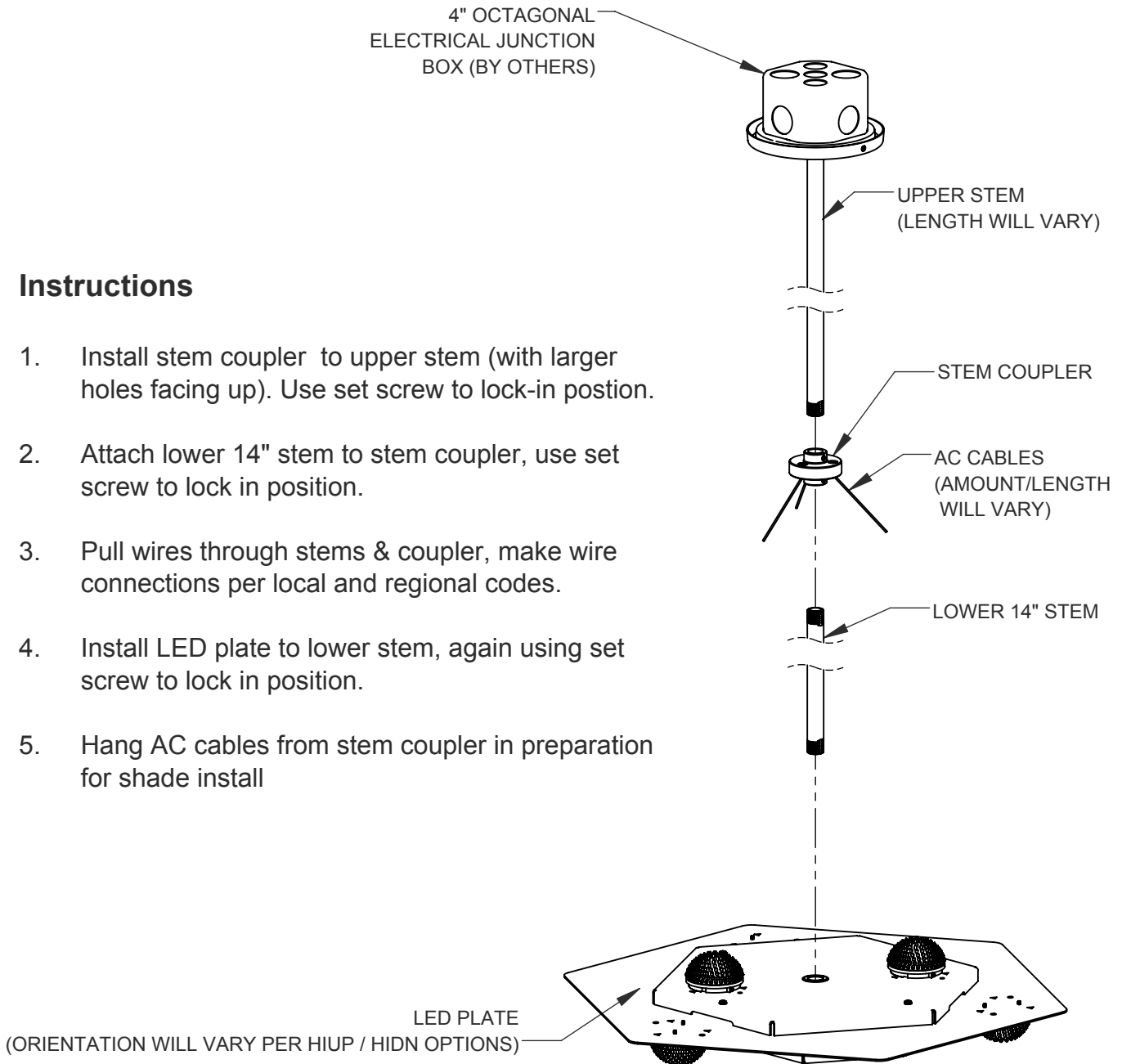
- Read all instructions carefully before installing and save for future use.
- Make sure all connections are in accordance with the National Electrical Code and local regulations.
- To avoid possible electric shock, be sure the power supply is turned off before servicing or installing the fixture.
- Service should be performed by qualified personnel.

• These instructions may not cover all details or variations. If additional information is needed, please contact Visa Lighting.

INSTALLATION INSTRUCTIONS

Model: **CP6106, 6108, 6110, 6126, 6128, & 6130**
Fixture Family: **Celest Pendants - Stem Mount**
Document Description: Installation Instructions for
Celest CP Small Form

VISA LIGHTING
AN OLDENBURG GROUP COMPANY
1717 West Civic Drive Milwaukee, WI 53209
414-354-6600
Design Modification Rights Reserved
© Visa Lighting



Drawing: 762362XX

Rev: A

Sheet: 3 of 4

Eng: ZOP

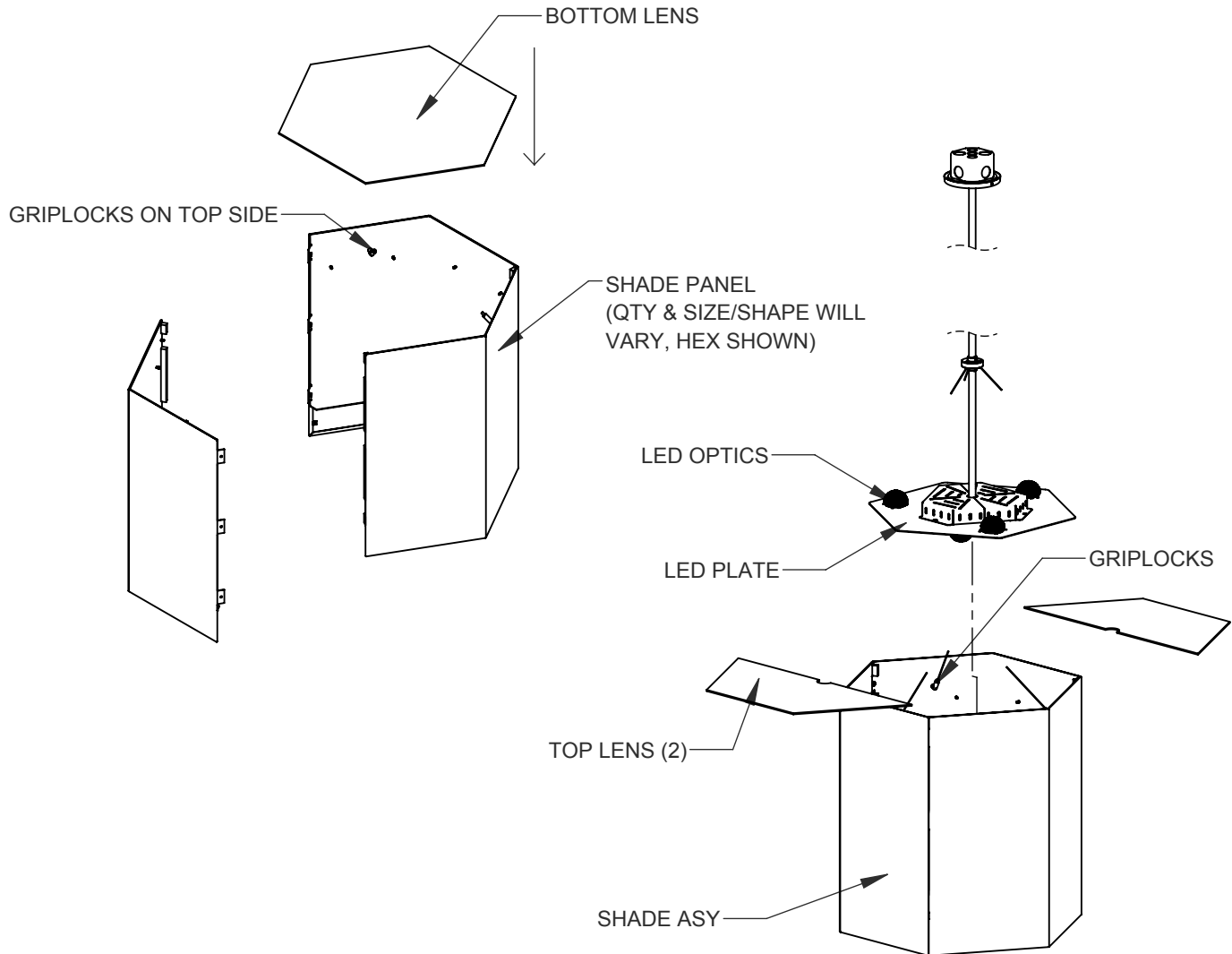
Date Drawn: 1/20/2021

- !** When using electrical equipment, basic safety precautions should always be followed, including the following:
- Read all instructions carefully before installing and save for future use.
 - Make sure all connections are in accordance with the National Electrical Code and local regulations.
 - To avoid possible electric shock, be sure the power supply is turned off before servicing or installing the fixture.
 - Service should be performed by qualified personnel.
 - These instructions may not cover all details or variations. If additional information is needed, please contact Visa Lighting.

INSTALLATION INSTRUCTIONS

Model: **CP6106, 6108, 6110, 6126, 6128, & 6130**
Fixture Family: **Celest Pendants - Stem Mount**
Document Description: Installation Instructions for
Celest CP Small Form

VISA LIGHTING
AN OLDENBURG GROUP COMPANY
1717 West Civic Drive Milwaukee, WI 53209
414-354-6600
Design Modification Rights Reserved
© Visa Lighting



Instructions:

1. Install stems, canopy, and LED plate per previous sheets.
2. Assemble shade assembly carefully on ground using 8-32 hex nuts provided, use packaging to protect panels & take care to not bend/force parts.
3. Install bottom lens.
4. Raise shade assembly over LED plate, secure cables to griplocks & level shade. Tops of LED optics must be below studs that top lens rest on.
5. Install (2) top lens parts, resting on exposed studs.

When using electrical equipment, basic safety precautions should always be followed, including the following:

- Read all instructions carefully before installing and save for future use.
- Make sure all connections are in accordance with the National Electrical Code and local regulations.
- To avoid possible electric shock, be sure the power supply is turned off before servicing or installing the fixture.
- Service should be performed by qualified personnel.
- These instructions may not cover all details or variations. If additional information is needed, please contact Visa Lighting.

Drawing: 762362XX

Rev: A

Sheet: 4 of 4

Eng: ZOP

Date Drawn: 1/20/2021