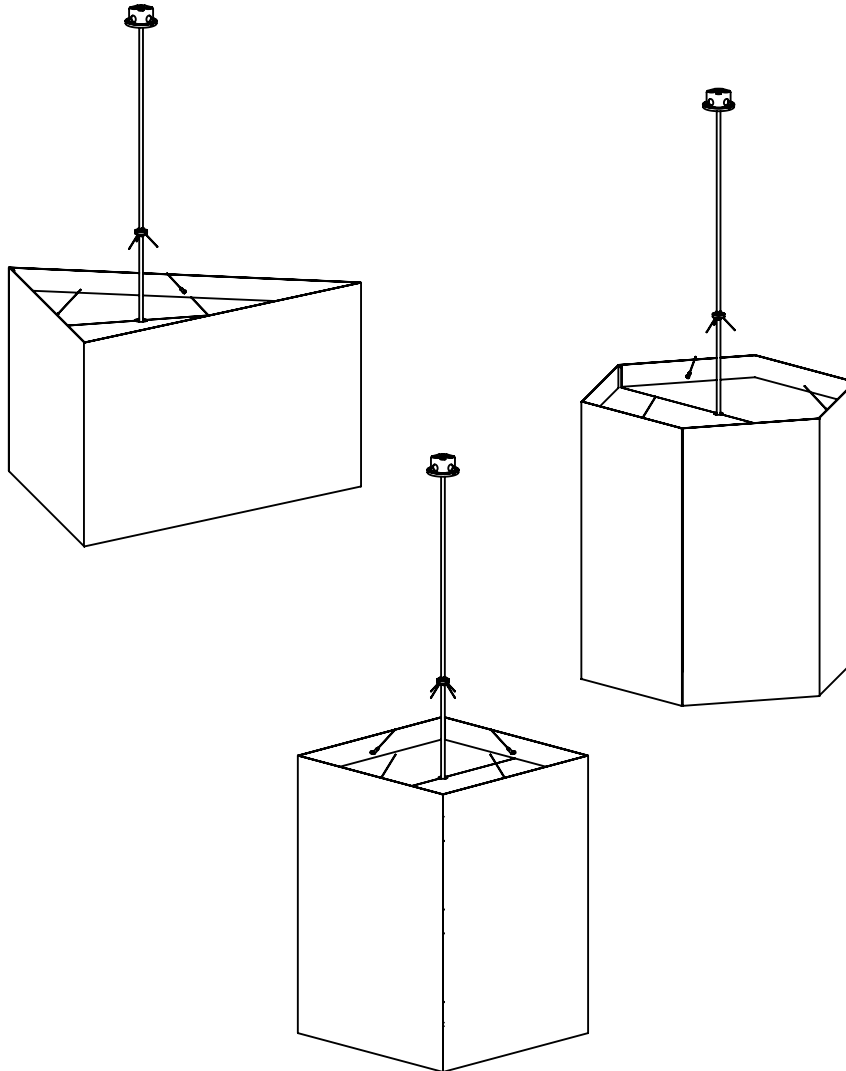


INSTALLATION INSTRUCTIONS

Model: **CP6100, 6102 6104, 6120, 6122, 6124**
Fixture Family: **Celest Pendants - Stem Mounts**
Document Description: Installation Instructions for
Celest CP Small Form

VISA LIGHTING
AN OLDENBURG GROUP COMPANY
1717 West Civic Drive Milwaukee, WI 53209
414-354-6600
Design Modification Rights Reserved
© Visa Lighting 2016



CELEST PENDANTS LARGE FORM

Metal Shades

CP6100

CP6102

CP6104

Acoustic Shades

CP6120

CP6122

CP6124

TABLE OF CONTENTS

SHEET 2: SWIVEL HANGER AND STEM INSTALLATION

SHEET 3: JBOX MOUNTING

SHEET 4: LED PLATE INSTALL

SHEET 5: SHADE ASSEMBLY & INSTALLATION

Drawing: 762363XX

Rev: A

Sheet: 1 of 5

Eng: ZOP

Date Drawn: 1/20/2021



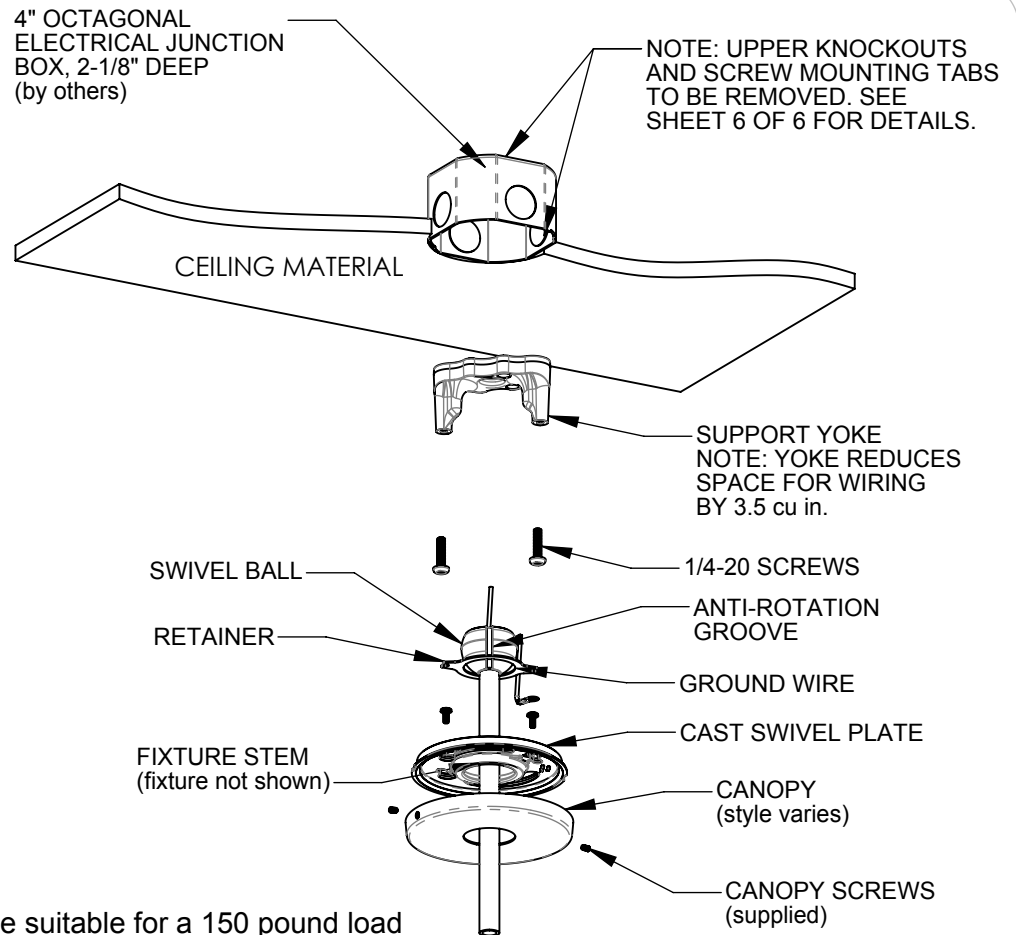
When using electrical equipment, basic safety precautions should always be followed, including the following:

- Read all instructions carefully before installing and save for future use.
- Make sure all connections are in accordance with the National Electrical Code and local regulations.
- To avoid possible electric shock, be sure the power supply is turned off before servicing or installing the fixture.
- Service should be performed by qualified personnel.
- These instructions may not cover all details or variations. If additional information is needed, please contact Visa Lighting.

INSTALLATION INSTRUCTIONS

Model: CP6100, 6102 6104, 6120, 6122, 6124
Fixture Family: Celest Pendants - Stem Mounts
Document Description: Installation Instructions for
Celest CP Small Form

VISA LIGHTING
AN OLDENBURG GROUP COMPANY
1717 West Civic Drive Milwaukee, WI 53209
414-354-6600
Design Modification Rights Reserved
© Visa Lighting



Preparation

**The structural support is to be suitable for a 150 pound load minimum. Please consult a structural engineer for appropriate safety factors per local and national codes. Refer to sheet 6 of 6 for more details on support options. Support Yoke is designed to fit inside of a 4" octagonal junction box, 2-1/8" deep.

INSTRUCTIONS

1. Remove necessary knockouts and junction box screw mounting tabs as necessary (refer to sheet 6 of 6 for further details) and securely install support yoke to building structure.
2. Insert swivel ball/stem assembly through cast swivel plate and fasten swivel ball retainer and ground wire with screws provided.
3. Insert stem through canopy, pull fixture wires through stem and securely fasten stem to the fixture.
4. Fasten cast swivel plate to support yoke with 1/4-20 screws provided.
5. Make all wire connections per local and national codes.
6. Lift canopy in place and secure with screws provided.

When using electrical equipment, basic safety precautions should always be followed, including the following:

- Read all instructions carefully before installing and save for future use.
- Make sure all connections are in accordance with the National Electrical Code and local regulations.
- To avoid possible electric shock, be sure the power supply is turned off before servicing or installing the fixture.
- Service should be performed by qualified personnel.
- These instructions may not cover all details or variations. If additional information is needed, please contact Visa Lighting.

Drawing: 762363XX

Rev: A

Sheet: 2 of 5

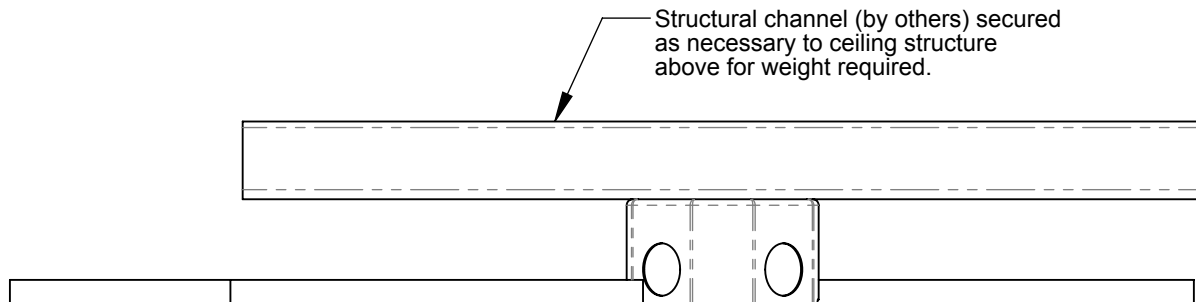
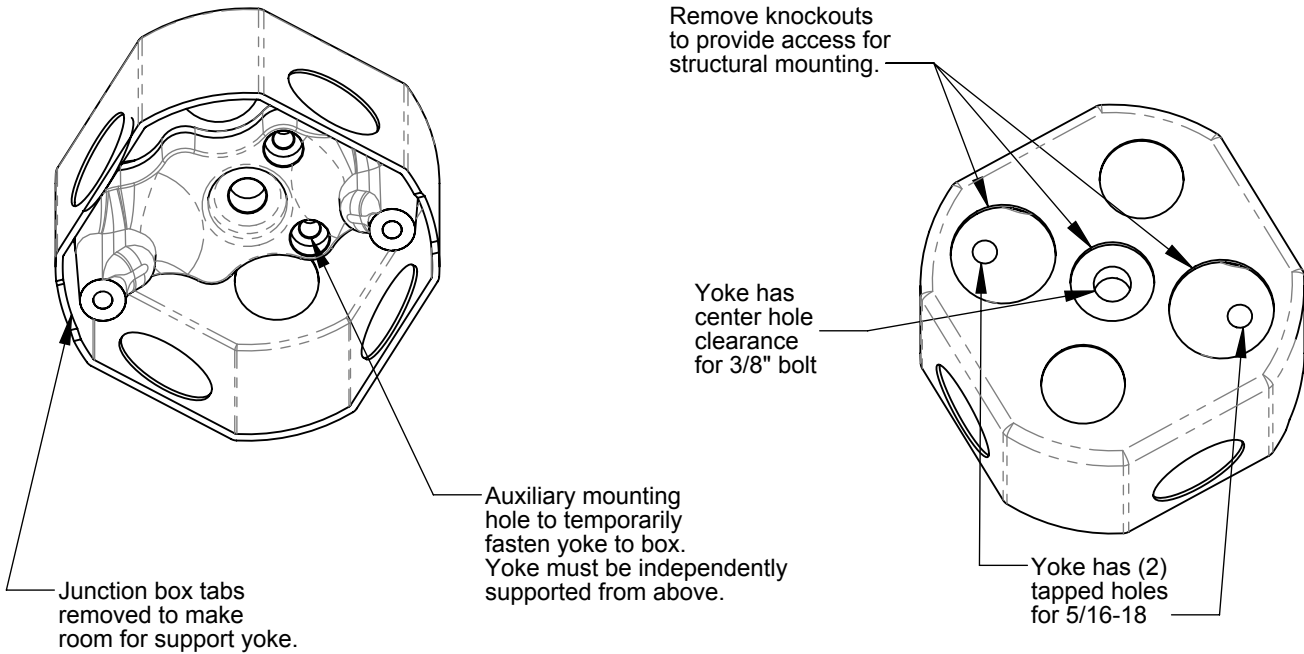
Eng: ZOP

Date Drawn: 1/20/2021

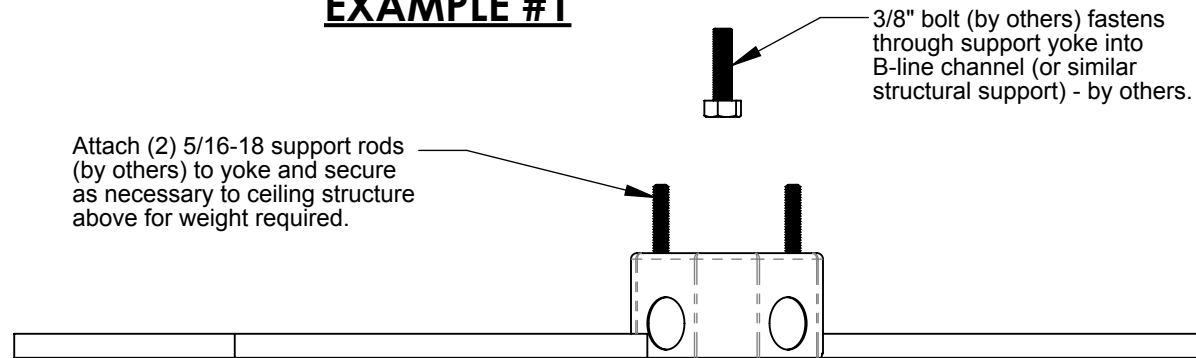
INSTALLATION INSTRUCTIONS

Model: **CP6100, 6102 6104, 6120, 6122, 6124**
 Fixture Family: **Celest Pendants - Stem Mounts**
 Document Description: Installation Instructions for
 Celest CP Small Form

VISA LIGHTING
 AN OLDENBURG GROUP COMPANY
 1717 West Civic Drive Milwaukee, WI 53209
 414-354-6600
 Design Modification Rights Reserved
 © Visa Lighting



EXAMPLE #1



EXAMPLE #2

Drawing: 762363XX

Rev: A

Sheet: 3 of 5

Eng: ZOP

Date Drawn: 1/20/2021



When using electrical equipment, basic safety precautions should always be followed, including the following:

- Read all instructions carefully before installing and save for future use.
- Make sure all connections are in accordance with the National Electrical Code and local regulations.
- To avoid possible electric shock, be sure the power supply is turned off before servicing or installing the fixture.
- Service should be performed by qualified personnel.
- These instructions may not cover all details or variations. If additional information is needed, please contact Visa Lighting.

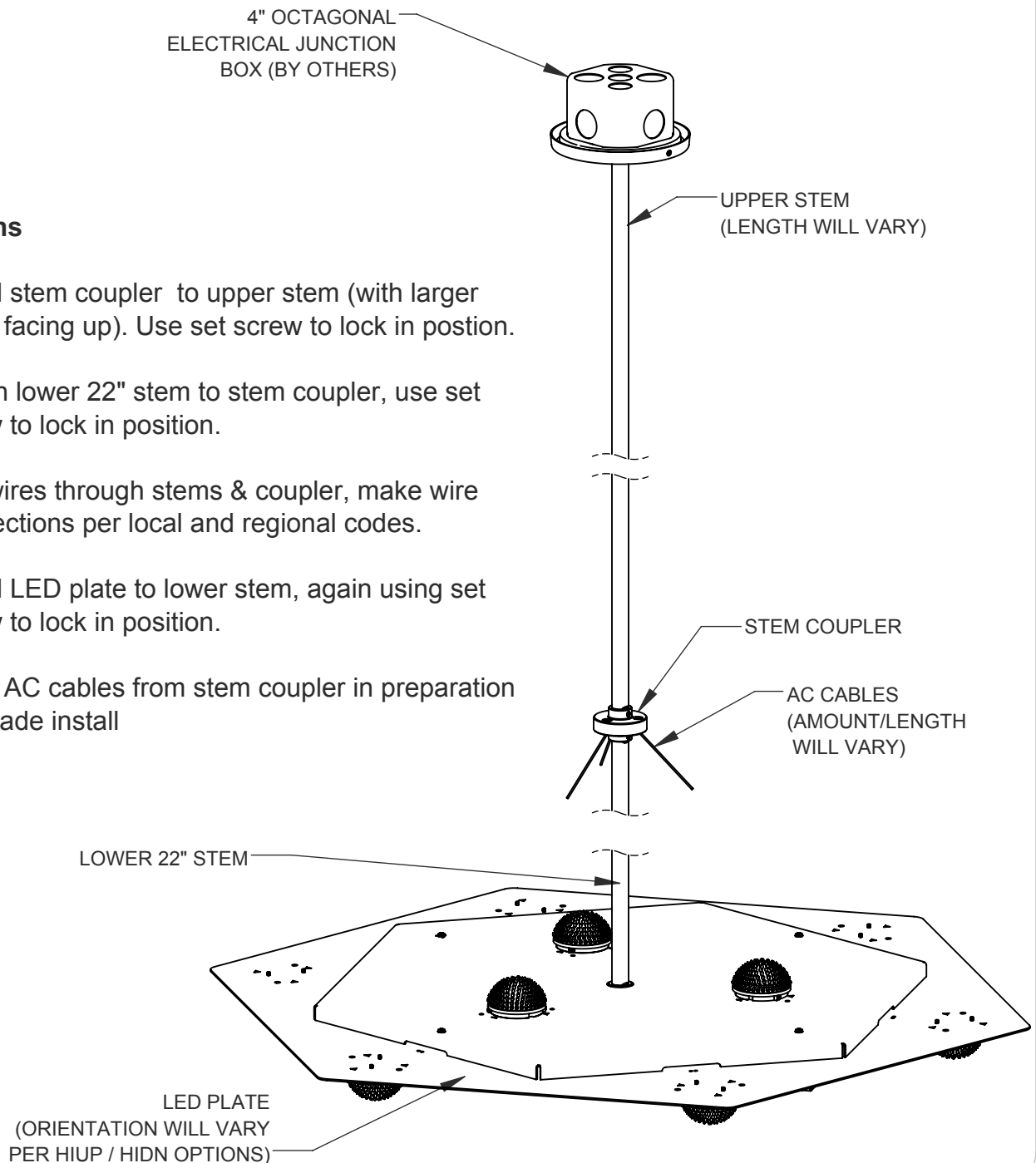
INSTALLATION INSTRUCTIONS

Model: **CP6100, 6102 6104, 6120, 6122, 6124**
Fixture Family: **Celest Pendants - Stem Mounts**
Document Description: Installation Instructions for
Celest CP Small Form

VISA LIGHTING
AN OLDENBURG GROUP COMPANY
1717 West Civic Drive Milwaukee, WI 53209
414-354-6600
Design Modification Rights Reserved
© Visa Lighting

Instructions

1. Install stem coupler to upper stem (with larger holes facing up). Use set screw to lock in position.
2. Attach lower 22" stem to stem coupler, use set screw to lock in position.
3. Pull wires through stems & coupler, make wire connections per local and regional codes.
4. Install LED plate to lower stem, again using set screw to lock in position.
5. Hang AC cables from stem coupler in preparation for shade install



Drawing: 762363XX

Rev: A

Sheet: 4 of 5

Eng: ZOP

Date Drawn: 1/20/2021

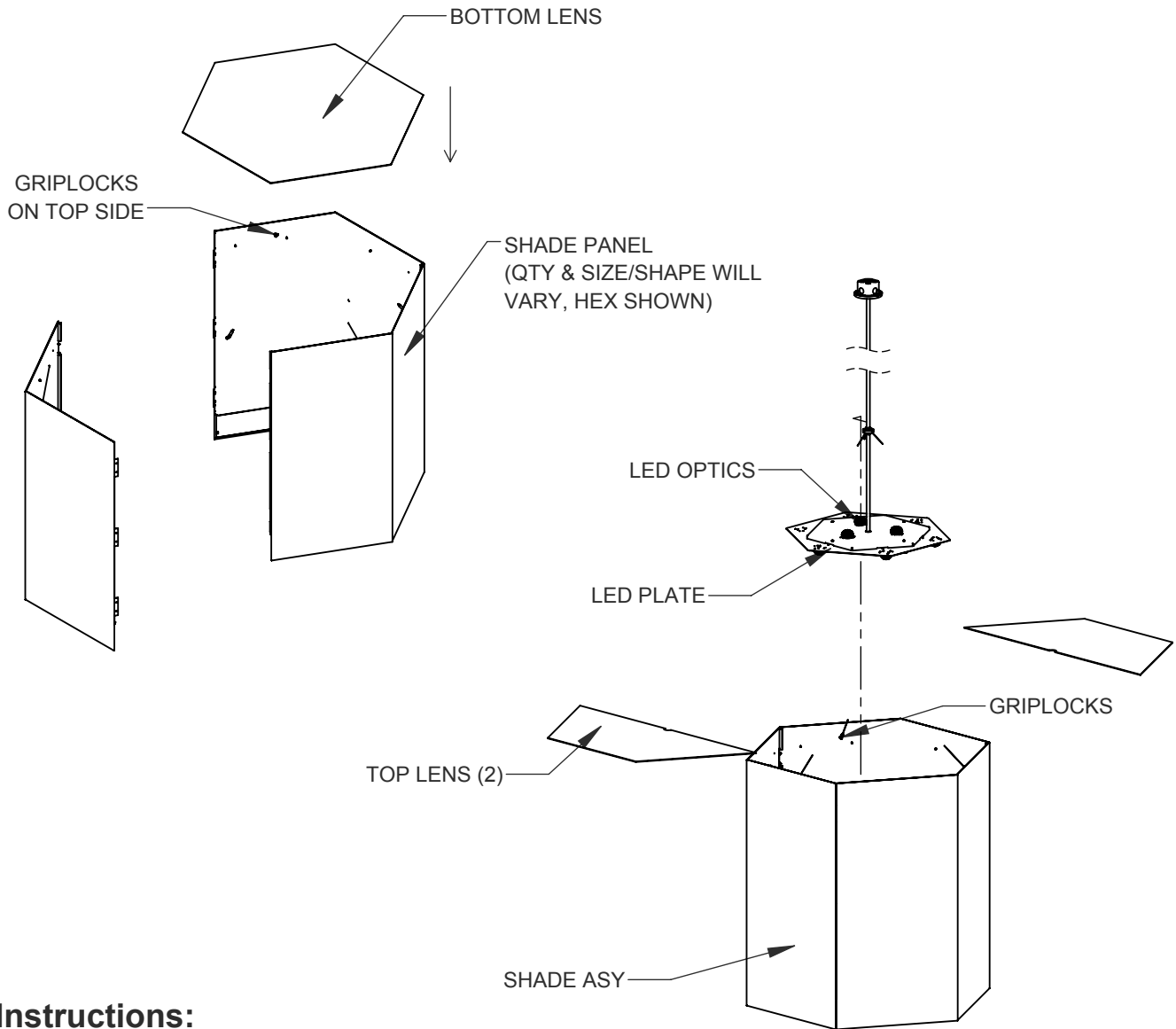
When using electrical equipment, basic safety precautions should always be followed, including the following:

- Read all instructions carefully before installing and save for future use.
- Make sure all connections are in accordance with the National Electrical Code and local regulations.
- To avoid possible electric shock, be sure the power supply is turned off before servicing or installing the fixture.
- Service should be performed by qualified personnel.
- These instructions may not cover all details or variations. If additional information is needed, please contact Visa Lighting.

INSTALLATION INSTRUCTIONS

Model: CP6100, 6102 6104, 6120, 6122, 6124
Fixture Family: Celest Pendants - Stem Mounts
Document Description: Installation Instructions for
Celest CP Small Form

VISA LIGHTING
AN OLDENBURG GROUP COMPANY
1717 West Civic Drive Milwaukee, WI 53209
414-354-6600
Design Modification Rights Reserved
© Visa Lighting



Instructions:

1. Install stems, canopy, and LED plate per previous sheets.
2. Assemble shade assembly carefully on ground using 8-32 hex nuts provided, use packaging to protect panels & take care to not bend/force parts.
3. Install bottom lens.
4. Raise shade assembly over LED plate, secure cables to griplocks & level shade. Tops of LED optics must be below studs that top lens rest on.
5. Install (2) top lens parts, resting on exposed studs.

When using electrical equipment, basic safety precautions should always be followed, including the following:

- Read all instructions carefully before installing and save for future use.
- Make sure all connections are in accordance with the National Electrical Code and local regulations.
- To avoid possible electric shock, be sure the power supply is turned off before servicing or installing the fixture.
- Service should be performed by qualified personnel.
- These instructions may not cover all details or variations. If additional information is needed, please contact Visa Lighting.