

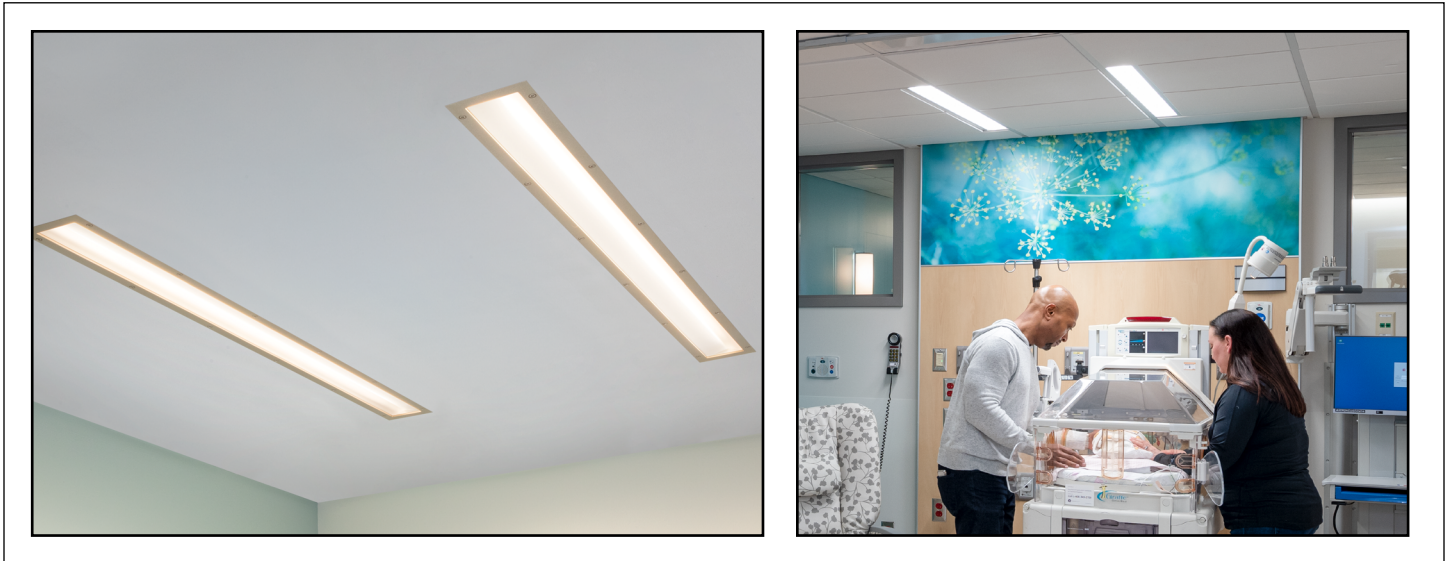
CM2062-W LENGA™

3" Dual Overbed Units – Behavioral Health



VisaLighting.com/products/Lenga

Type: _____ Project: _____ Location: _____

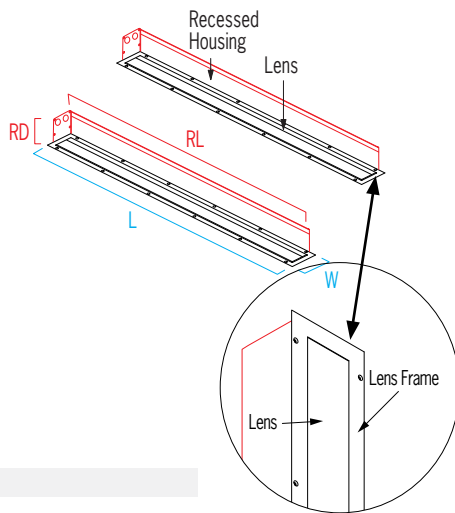
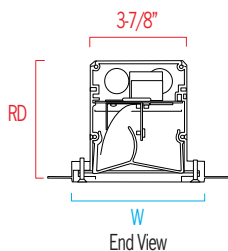


SET INCLUDES 2 UNITS IN TANDEM. ORDER ONE MODEL NUMBER PER SET.

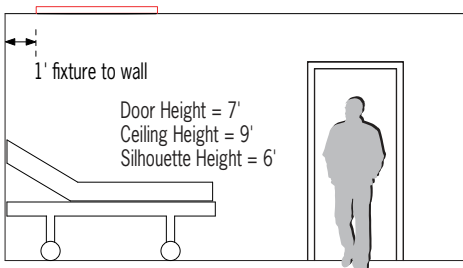
DIMENSIONS

W = Width L = Length RD = Recessed Depth RL = Recessed Length

| | | |
|----|---------|-----------|
| W | 4-5/8" | (117 mm) |
| L | 48-1/8" | (1222 mm) |
| RD | 4-1/8" | (105 mm) |
| RL | 47" | (1197 mm) |



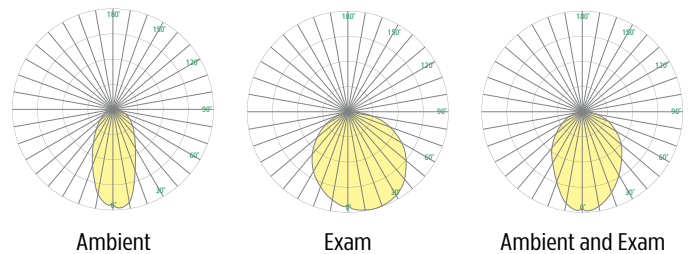
RELATIVE SCALE DRAWING



FEATURES

- Integral drivers
- Optional 90+ CRI
- Left and right models wired discretely; units may be wired together in the field
- Recessed housing, conduit entry
- Pin-in-Torx screws standard for lens door
- Ligature resistant; sheetrock/drywall installation (see installation instructions), not suited for grid ceiling installation. Housing integrates with drywall ceilings via mud flange
- High Abuse lens and frame features high impact clear polycarbonate secured with tamper resistant fasteners
- Sealed, gasketed lens
- Housing is fully sealed from plenum and room sides
- IP65 rated
- Chicago Plenum certified
- Antimicrobial finishes (no VOC) on all interior and exterior painted surfaces
- Not suited for exterior applications

PHOTOMETRICS



CM2062-W LENGA (cont.)

3" Dual Overbed Units – Behavioral Health



SOLD ONLY AS A DUAL OVERBED SET (SET INCLUDES TWO UNITS IN TANDEM)

Fill in shaded boxes using information listed below

| CM2062-W | | | | | | |
|----------|----------------------|---|----------------------|---|--------------------------------------|---------------------|
| MODEL | SOURCE ¹ | SOURCE OPTION ² | VOLTAGE ³ | DIMMING CONTROL ⁴ OPTION | LENS FRAME FINISH | OPTION ⁵ |
| | L30K L35K L40K | 90CRI Minimum 80CRI standard if option not selected. | MVOLT 347V | DALI Dimmable 0-10V if option not selected | See last page for finish order codes | RB |

SOURCE¹ (Select one)

Dimmable 0-10V to 1% , Minimum 80CRI within 3-step MacAdam

| Source | CCT | Delivered Lumens | | Power (Watts) |
|--------|-------|------------------|------|---------------|
| L30K | 3000K | Ambient | 2400 | 29 |
| | | Exam | 7400 | 89 |
| | | Combined | 8900 | 118 |
| L35K | 3500K | Ambient | 2500 | 29 |
| | | Exam | 7600 | 89 |
| | | Combined | 9100 | 118 |
| L40K | 4000K | Ambient | 2500 | 29 |
| | | Exam | 7800 | 89 |
| | | Combined | 9300 | 118 |

Lumens and watts are total per set
Each side of a tandem pair is an independent fixture

SOURCE OPTION²

Minimum 80CRI within 3-step MacAdam is standard if 90CRI is not selected

| | |
|--------------|--|
| 90CRI | Color rendering index minimum 90 CRI, (typical 93); minimum R9 value of 50 (delivered lumens reduced by 15%) |
|--------------|--|

VOLTAGE³ (Select one)

| | |
|--------------|--------------------|
| MVOLT | 120-277V, 50/60 Hz |
| 347V | 347V, 50/60 Hz |

DIMMING CONTROL OPTION⁴

⚠ Option availability may be interdependent with Voltage, Source or Other Options
0-10V dimmable to 1% if no dimming option is selected

| | |
|-------------|--|
| DALI | Control via DALI protocol, dimming to minimum 1% (not available with 347V) |
|-------------|--|

OPTION⁵

| | |
|-----------|---------------------------|
| RB | Pre-ship recessed backbox |
|-----------|---------------------------|

CM2062-W LENGA (cont.)

3" Dual Overbed Units – Behavioral Health



LENGA PRODUCT FAMILY

- CM2060-W - 3" Dual Overbed Units
- CM2060-T - 3" Dual Overbed Units - Tunable
- CM2062-W - 3" Dual Overbed Units - Behavioral Health
- CM2062-T - 3" Dual Overbed Units - Tunable Behavioral Health

See [VisaLighting.com/products/Lenga](https://visalighting.com/products/Lenga) for more information

SUGGESTED VARIATIONS

- Custom colors

FINISHES

Specify color code when ordering. For accurate color matching, individual paint and finish samples are [available upon request](#).

For more information about our finishes visit visalighting.com/finishes

Powder Coat Paint Finishes (Standard)

| | | | | | | |
|--|---|---|---|--|---|---|
|  |  |  |  |  |  |  |
| AGGY Agate Grey | ALGN Alpine Green | BJBG Baja Beige | BMAT Bronze Matte | BRNZ Bronze | BSIL Blade Silver | CVBL Cove Blue |
|  |  |  |  |  |  |  |
| DEOR Deoro Gold | GLWT Glacier White | GSIL Graphite Silver | HRGR Harbor Grey | JTBK Jet Black | OCBL Ocean Blue | SHGR Shoreline Grey |
|  |  |  |  |  |  |  |
| SBGN Sagebrush Green | SLGR Slate Grey | SSTP Sierra Taupe | TRCN Terracotta Canyon | TRWT Traffic White | VBLK Velvet Black | VNRD Vineyard Red |