

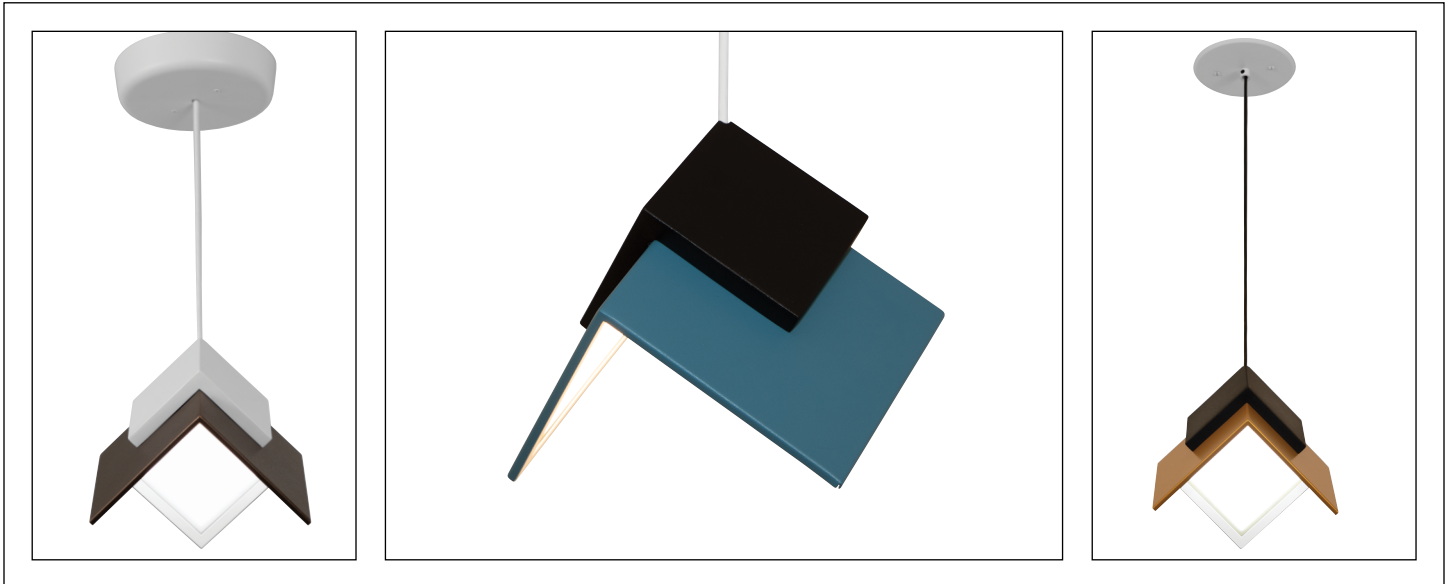
CP5740 PETAL™

OLED Pendant - 3 panels



[VisaLighting.com/Products/Petal](https://www.VisaLighting.com/Products/Petal)

Type: _____ Project: _____ Location: _____

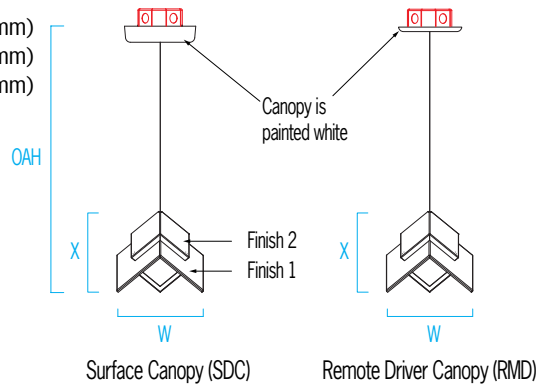


DIMENSIONS⁴

OAH is the distance (in inches) from the bottom of the fixture to the ceiling plane.

X = Body Height DIA = Diameter OAH = Standard Overall Height WT = Weight

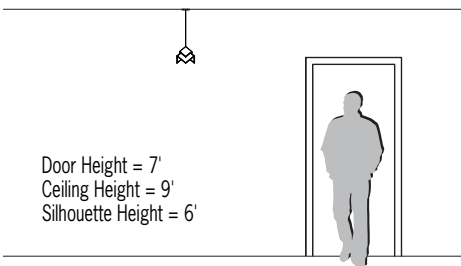
W	7-3/4" (197 mm)
OAH	24" (610 mm)
X	7-1/2" (190 mm)
WT	1.7 lbs.



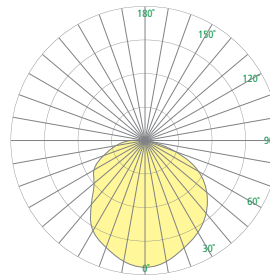
FEATURES

- Uniform panel luminance, 3 panels in each fixture; OLED panels dim together
- 0-10V dimming to 1%
- Remote Driver (RMD) or Driver in Canopy (SDC) configurations available
- Remote Driver (RMD) includes round canopy 5" diameter and 1/4" deep
- Driver in canopy (SDC) includes round canopy 6-3/8" diameter and 1-1/2" deep
- Canopies mount over 4x4 junction box (by others) with provided hardware and are painted white
- Suspended with a black, gray, or white power cord
- Accommodates ceiling slopes up to 45 degrees
- Mounts to suspended or solid ceiling
- Non-VOC powder coat finishes
- ETL listed for damp locations. Not suited for exterior applications

RELATIVE SCALE DRAWING



PHOTOMETRICS



OLED



3 Year Warranty

CP5740 PETAL (cont.)

OLED Pendant - 3 panels



Fill in shaded boxes using information listed below

CP5740		-		MVOLT					
MODEL	SOURCE¹ L30K L40K	VOLTAGE MVOLT	FINISH 1	FINISH 2	CORD COLOR² BSC WSC GSC	DRIVER³ RMD SDC	OAH⁴		
			See last page for finish order codes	See last page for finish order codes			See page 1		

SOURCE¹ (Select one)

OLED sources are minimum 80CRI. Dimmable to 1% via 0-10V

Source	CCT	Delivered Lumens	Power/Watts
L30K	3000K	750	16
L40K	4000K	550	

Wattages shown are initial. Power usage will increase as panels reach end-of-life. Maximum fixture power is 18W at end-of-life

VOLTAGE

MVOLT	120-277V, 50/60 Hz
--------------	--------------------

LUMEN MAINTENANCE RATING

L70	≈ 30,000 hrs
------------	--------------

CORD COLOR² (Select one)

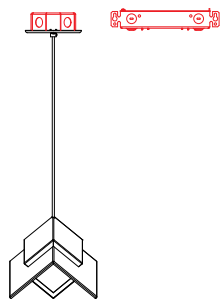
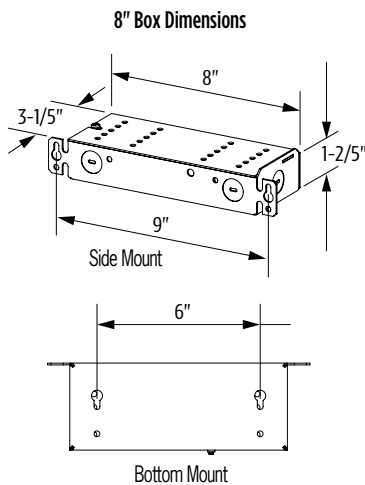
BSC	Black power cord
WSC	White power cord
GSC	Gray power cord



DRIVER³ (Select one)

RMD	Remote driver enclosure has knock-outs for conduit connection, may be recess mounted with insulation contact (type IC).
SDC	Surface canopy with integral driver; canopy is painted white

REMOTE DRIVER (RMD) INFORMATION

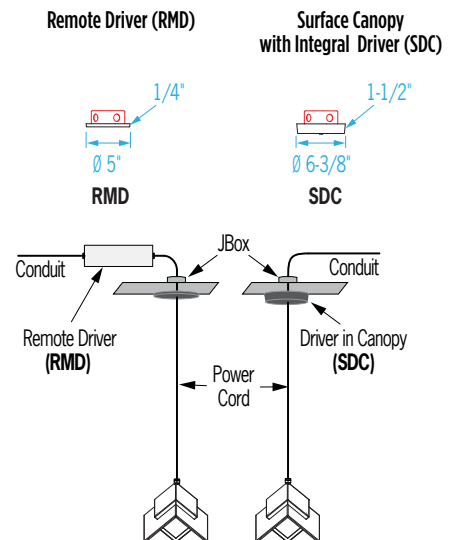


Maximum Recommended Remote Wiring Distance from RMD to fixture canopy

- 12GA 190 ft
- 14GA 120 ft
- 16GA 75 ft
- 18GA 45 ft
- 20GA 30 ft

Remote driver boxes have knock-outs for conduit connections

DRIVER DETAIL



CP5740 PETAL (cont.)

OLED Pendant - 3 panels



SUGGESTED VARIATIONS

- Other cord colors
- Other canopy paint colors

FINISHES

Specify color code when ordering. For accurate color matching, individual paint and finish samples are [available upon request](#).
For more information about our finishes visit visalighting.com/finishes

Powder Coat Paint Finishes (Standard)

						
AGGY Agate Grey	ALGN Alpine Green	BJBG Baja Beige	BMAT Bronze Matte	BRNZ Bronze	BSIL Blade Silver	CVBL Cove Blue
						
DEOR Deoro Gold	GLWT Glacier White	GSIL Graphite Silver	HRGR Harbor Grey	JTBK Jet Black	OCBL Ocean Blue	SHGR Shoreline Grey
						
SBGN Sagebrush Green	SLGR Slate Grey	SSTP Sierra Taupe	TRCN Terracotta Canyon	TRWT Traffic White	VBLK Velvet Black	VNRD Vineyard Red